

USER MANUAL

Ice Maker Kit

EAIMM19

Product may vary. Refer to the actual product

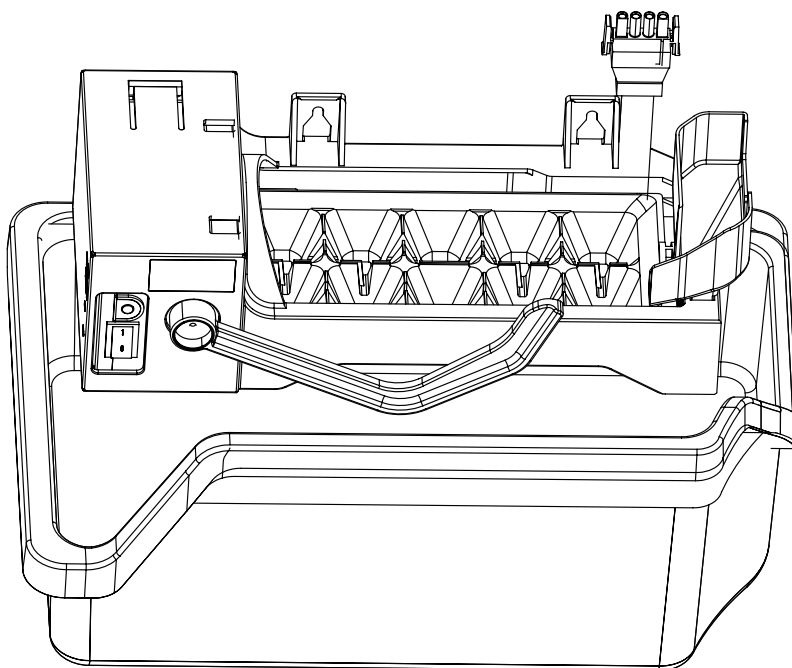



Table of Contents


Table of Contents	2	Install Ice Maker(Top mount freezer)	4
Safety Information	2	Install Ice Maker(Bottom mount freezer)	9
Safety Requirements	2	Connect Water Supply	12
Cleaning	2	Operating Instructions	14
Installation Instructions	3	Tips For Using Your Automatic Ice Maker	14
Features	3	Maintaining Your Ice Maker	14
Accessories	3	Troubleshooting	15
Required Tools	4	Warranty	16
Important Note	4		


Safety Information

SAFETY REQUIREMENTS

- Read these instructions.
- Keep these instructions.
- Heed all warnings.
- Follow all instructions.
- Refer all servicing to qualified service personnel. Servicing is required when the appliance has been damaged in any way, such as the power-supply cord or plug is damaged, liquid has been spilled or objects have fallen into the appliance, the appliance has been exposed to rain or moisture, does not operate normally, or has been dropped.
- Failure to follow these instructions can result in electric shock, fire or death.
- Do not place fingers or hands inside the automatic ice making mechanism while the refrigerator is plugged in. Doing so can cause injury.
- Keep hands away from the ejector mechanism and the heating element that releases ice cubes located in the bottom of the ice maker.
- WARNING:** Do not touch the interior of the freezer compartment with wet hands as this can cause frost bite.
- WARNING:** Do not use mechanical devices or other means to accelerate the defrosting process, other than those recommended by the manufacturer.
- This appliance is not intended for use by persons (including children) whose physical, sensory or mental capabilities may be different or reduced, or who lack experience or knowledge, unless such persons receive supervision or training to operate the appliance by a person responsible for their safety.
- If a component part is damaged it must be replaced by the manufacturer, its service agent or similar qualified persons in order to avoid hazard.

 **DANGER:** Indicates a hazardous situation which, if not avoided, will result in death or serious injury. Limit the use of this hazard statement to the most extreme situations.

 **WARNING:** Indicates a hazardous situation which, if not avoided, could result in death or serious injury.

 **CAUTION:** Indicates a hazardous situation which, if not avoided, could result in minor or moderate injury.

NOTICE: Is the preferred signal word to address practices not related to personal injury.

CLEANING

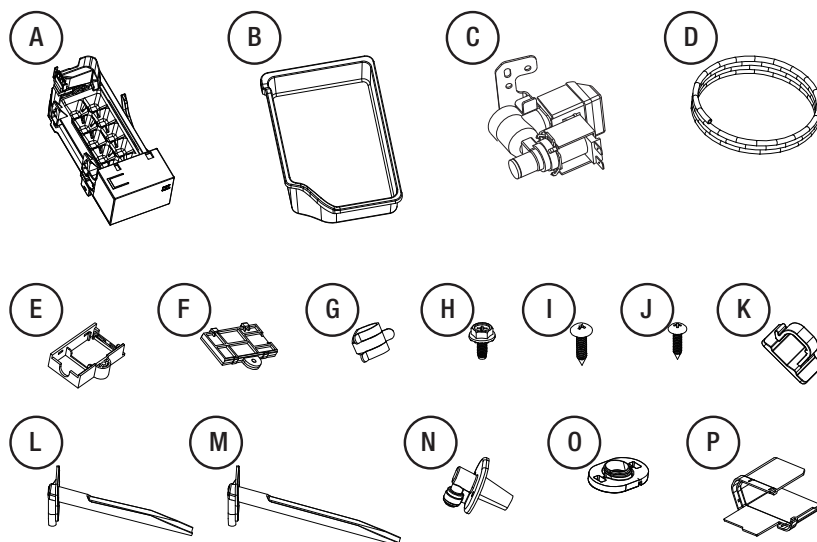
- Use mild detergent in warm water to clean the ice storage bin. Ensure it is dry before replacing in the freezer.
- Turn off the ice maker when the refrigerator is being cleaned or maintained.
- Turn off the ice maker if it will not be used for a short period of time.
- Turn off the water supply valve if the ice maker will not be used for an extended period of time.

Installation Instructions

FEATURES

- Produces up to 2.7 pounds of ice a day.
- Stores up to 5.5 pounds of ice.
- Prevents overflow by automatically detecting when the storage bin is full.

ACCESSORIES



Part	Description	Quantity
A	Ice maker unit	1
B	Ice storage bin	1
C	Water valve	1
D	Plastic water supply tubing	1
E	Mounting box	1
F	Box cover	1
G	Tube clamp	1
H	Leveling bracket screw	1
I	Ice maker mounting screws	2
J	Self-tapping screws	3
K	Plastic clamps	3
L	Short water inlet tube (Top Mount Freezer only, for 18 cu. ft.)	1
M	Long water inlet tube (Top Mount Freezer only, for 21 cu. ft.)	1
N	Water pipe joint (Bottom Mount Freezer only)	1
O	Sealed silica gel block (Bottom Mount Freezer only)	1
P	Connecting plate (Bottom Mount Freezer only)	1

Installation Instructions

REQUIRED TOOLS

- Electric drill with a 1/4" bit.
- Putty knife.
- Needle nose pliers or nut driver.
- Adjustable wrench.
- Knife.
- Flat blade screwdriver.
- Phillips screwdriver.
- Ice maker water line kit:
 - 1/4" OD copper supply line with compression nuts and ferrules.
 - Non self piercing shut off valve.
- An empty freezer shelf to hold the ice storage bin.
- Access to a household cold water line with a water pressure between 20 and 120 psig.
- Important: The ice maker water line kit includes the copper tubing and shut off valve and it is not provided. It can be purchased from most hardware or plumbing supply stores.

IMPORTANT NOTE

There are two water inlet tubes provided with this installation kit for two different applications. For the installation of this ice maker kit, ensure you are using the water inlet tube with the shorter hose and the screw holes that are closer together. The screw holes should match up with the holes on the back of the cabinet.

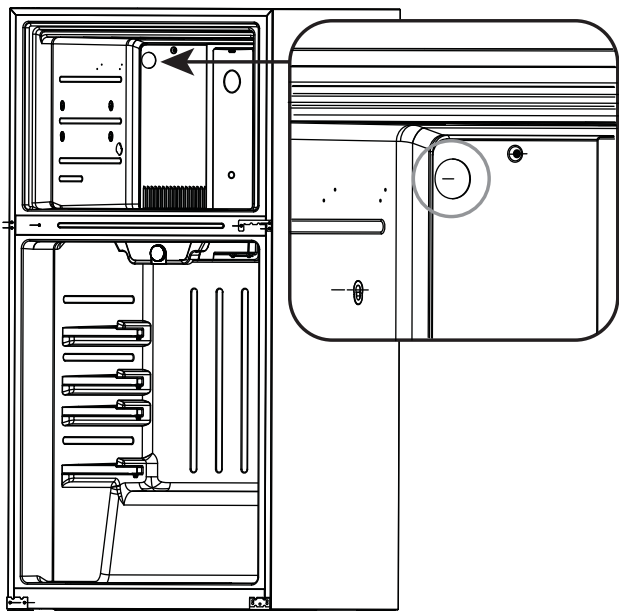
INSTALL ICE MAKER

Ensure that the refrigerator is unplugged and the freezer shelf and ice tray rack are removed from the freezer before beginning an installation process.

Installation Instructions - (Top mount freezer)

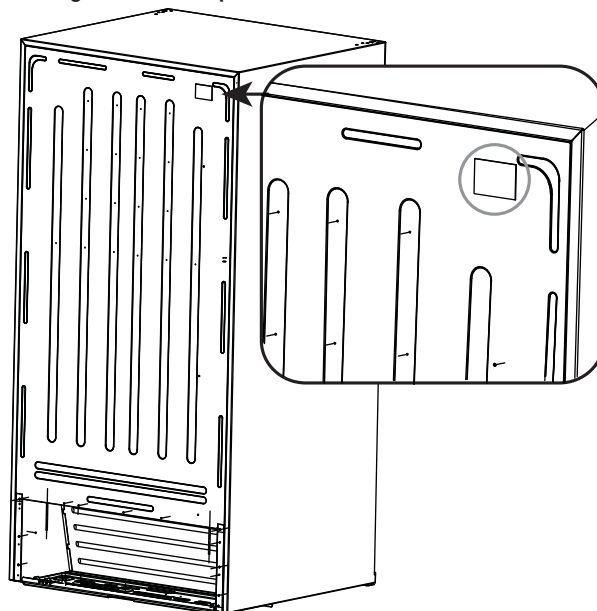
1 Remove the plug

- Remove the plug from the inside of the freezer compartment with a putty knife.



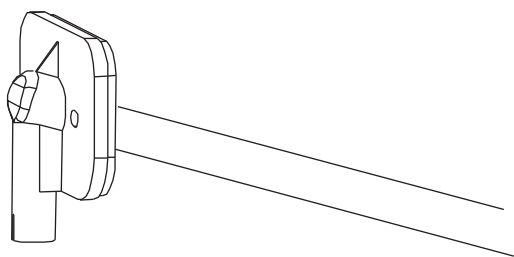
2 Remove the label and then remove the foam

- Remove the label covering the ice maker hole on the back of the cabinet and then remove the foam from inside the hole using needle nose pliers. Retain the foam for future use.



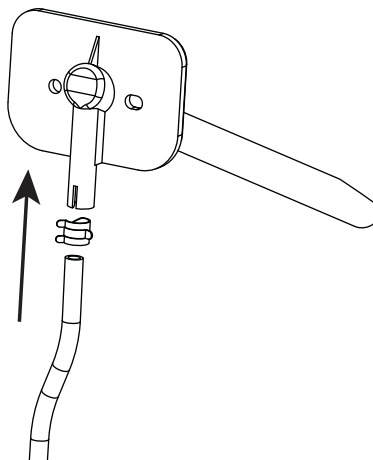
3 Insert the water inlet tube into the hole

- Insert the water inlet tube into the hole on the back of the cabinet. Rotate while inserting until the flat surface of the inlet tube is tight against the back of the refrigerator. Secure the water inlet tube to the back of the cabinet using 2 self drilling screws.



4 Water inlet tube and plastic water supply tubing connection

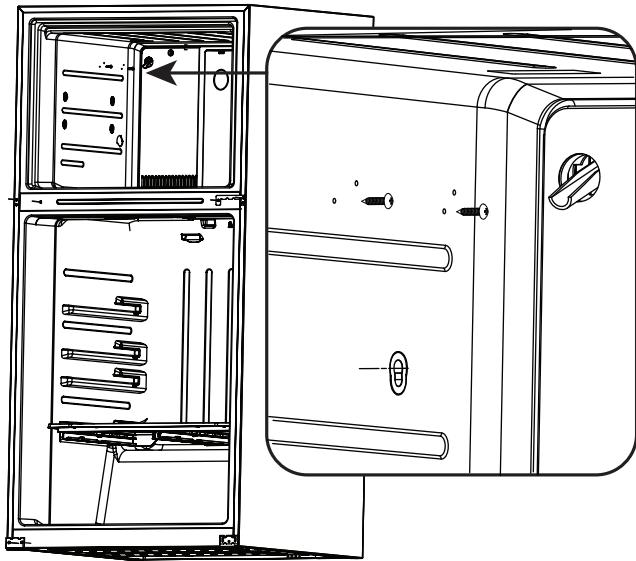
- Squeeze together and slide the tube clamp over the full tube. While still squeezing the clamp, insert one end of the plastic tube into the fill tube as far as it will go and then slide the clamp downward to capture the full tube in place. Leaks may result if the plastic tube is not pushed in as far as it will go and the tube clamp is not in place over the fill tube.



Installation Instructions - (Top mount freezer)

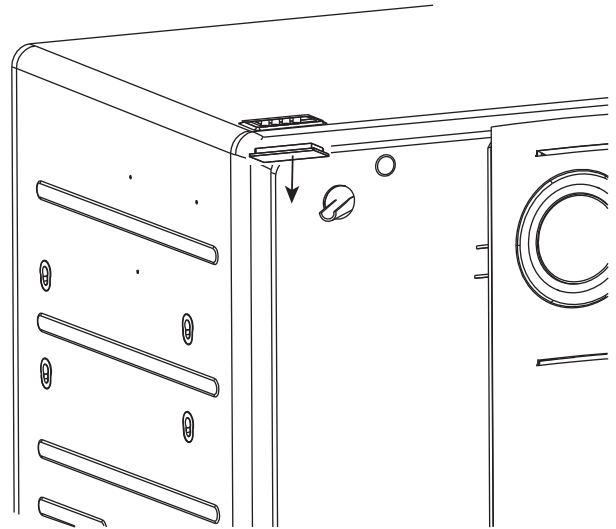
5 Ice maker mounting screws fixed

- Insert two ice maker mounting screws into the holes in the freezer wall. Turn each screw clockwise 5 times.



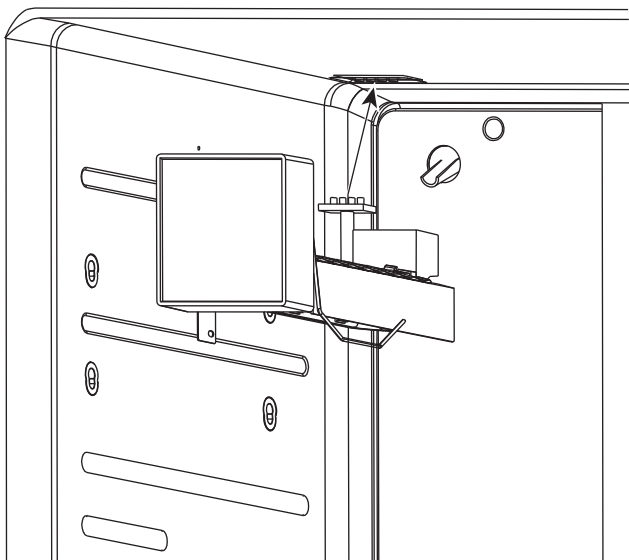
6 Remove the internal cover located on the inner ceiling

- Use needle nose pliers to remove the internal cover located on the inner ceiling of the freezer by first pulling down one side of the cover, then pulling down the other side. Save the terminal cover for future use in case the ice maker is removed.



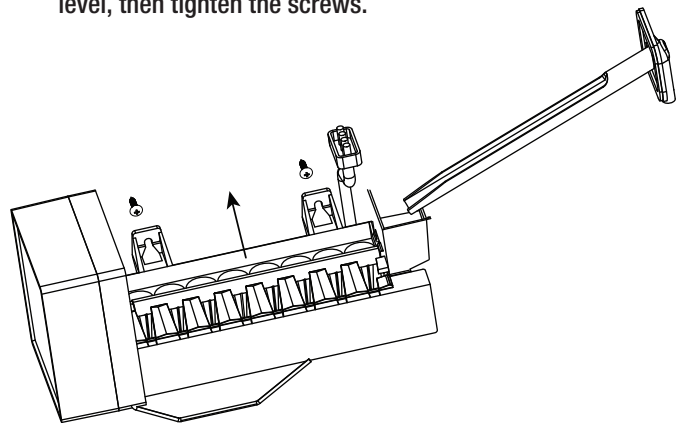
7 Plug the wiring harness connector into the terminal

- With the ice maker in one hand, plug the wiring harness connector into the terminal located at the top of the freezer panel. Make sure that the connection is tight. Make sure that the wiring harness is still in the hook on the back of ice maker.



8 Fixed ice maker

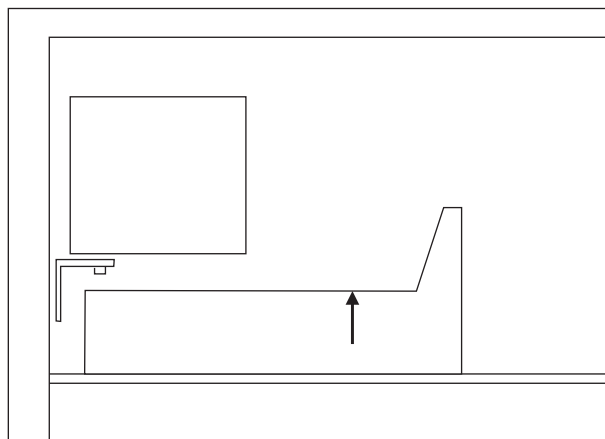
- Mount the ice maker onto the two ice maker mounting screws you installed in step 5. Make sure that the water inlet tube is sitting inside the fill cup and the ice maker is level, then tighten the screws.



Installation Instructions - (Top mount freezer)

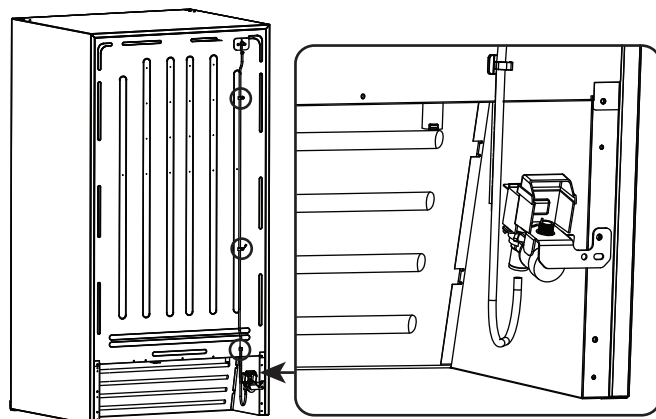
9 Place the ice storage bin

- Reinstall the freezer shelf and place the ice storage bin on the shelf.



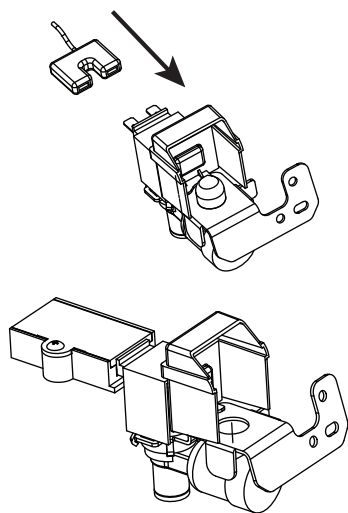
10 Fixed water valve

- Locate the pre-punched holes at the bottom right corner of the back panel of the refrigerator. Align the water valve bracket with the factory drilled holes, then use a Phillips head screwdriver to drive the two self-drilling screws through the bracket and into the cabinet.



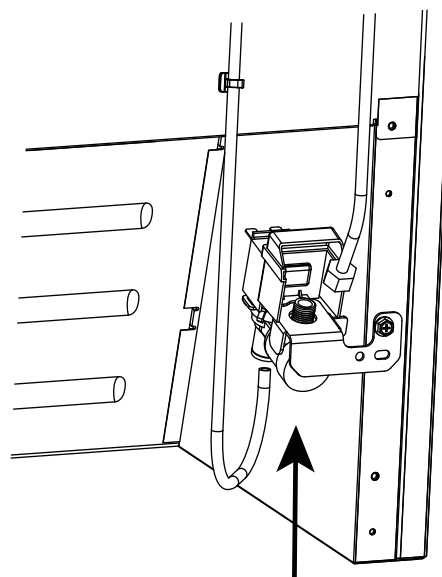
11 Connect the wiring harness to the water valve

- Connect the wiring harness to the water valve, making sure that the connection is tight, then install the mounting box and box cover on the plug.



12 Water valve and plastic water supply tubing connection

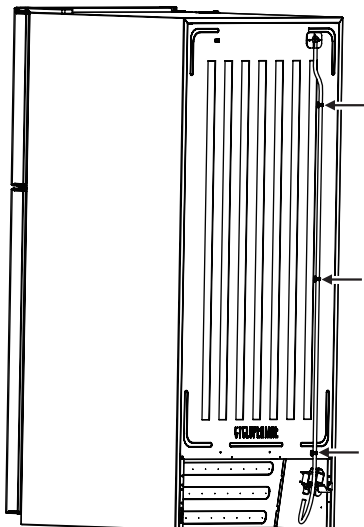
- Grasp the other end of the plastic tube and push it firmly into the quick connection on the valve until it bottoms out.



Installation Instructions - (Top mount freezer)

13 Plastic water supply tubing fixed

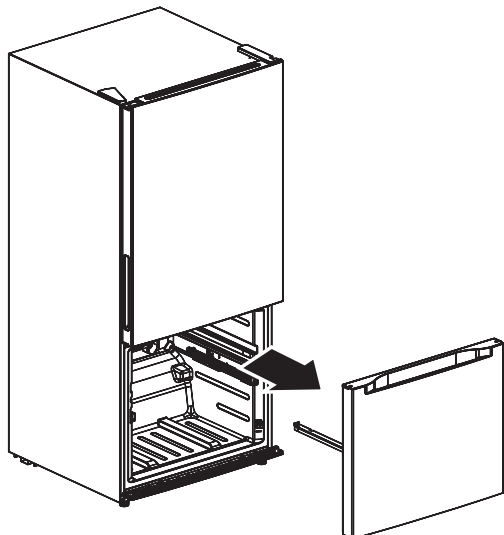
- Clean the back of the cabinet with a commercial household cleaner, ammonia, or alcohol before applying the clamps. Secure the plastic water supply tubing to the back of the cabinet with three plastic clamps.



Installation Instructions - (Bottom mount freezer)

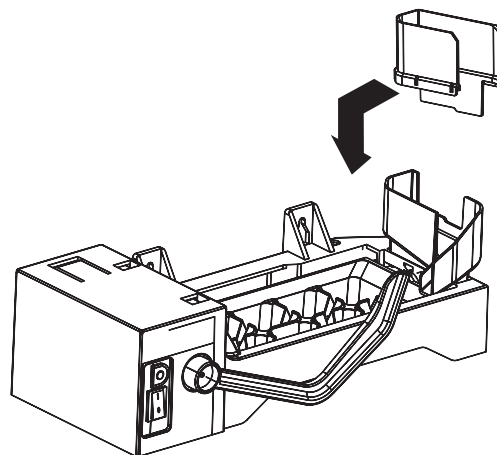
1 Remove the drawers and freezer compartment door

- Remove the drawers from the freezer compartment. Remove the small screws on both sides of the guide rail of the freezer compartment door, then remove the freezer compartment door, with the guide rail support, from the guide rail.



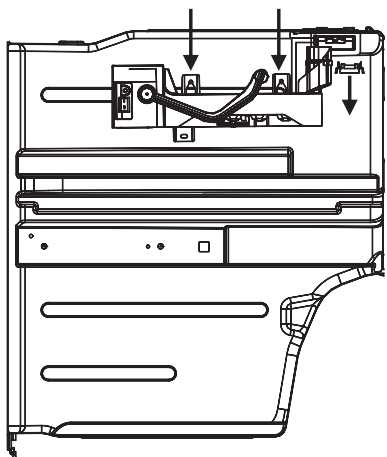
2 Insert the connection plate into the ice maker unit

- Remove the ice maker unit and the connection plate from the accessories bag, then insert the connection plate into the ice maker unit (as shown below) by aligning the connection plate with the notch in the ice maker unit.



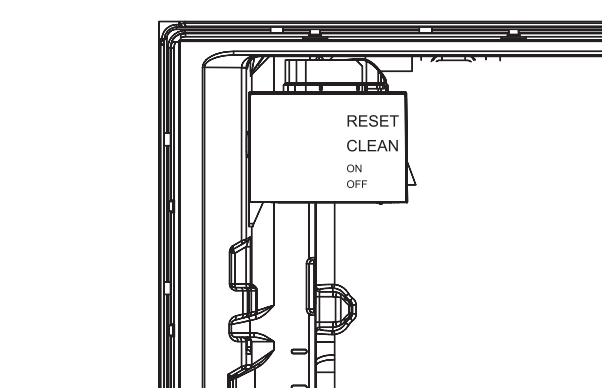
3 Remove terminal cover and ice maker mounting screws fixed

- Remove the terminal cover from the upper left corner of the freezer compartment, then remove the ice maker mounting screws from the accessory bag and attach them loosely to the two mounting holes in the back of the freezer compartment.



4 Fixed ice maker

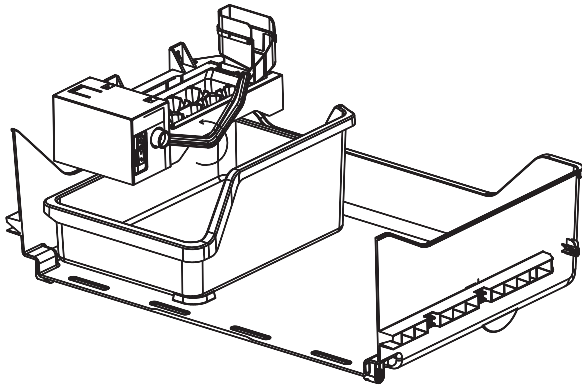
- Insert the power connector of the ice maker into the socket in the freezer compartment, then loosely mount the ice maker onto the ice maker mounting screws. Move the ice maker to the left as far as it will go, then align it vertically and tighten the ice maker mounting screws.



Installation Instructions - (Bottom mount freezer)

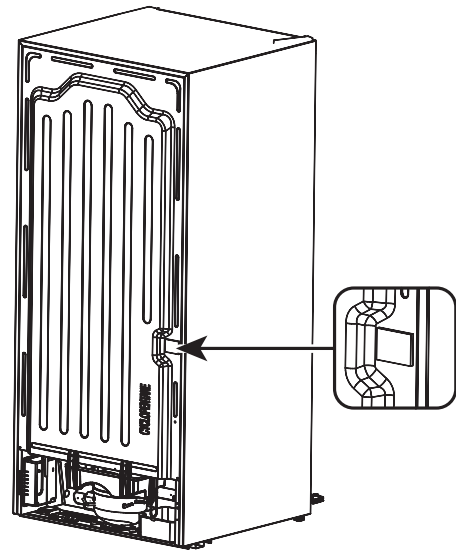
5 Reinstall the drawers and freezer compartment door

- Reinstall the freezer door guide rail and replace the freezer drawers, then place the ice storage bin in the top freezer drawer.



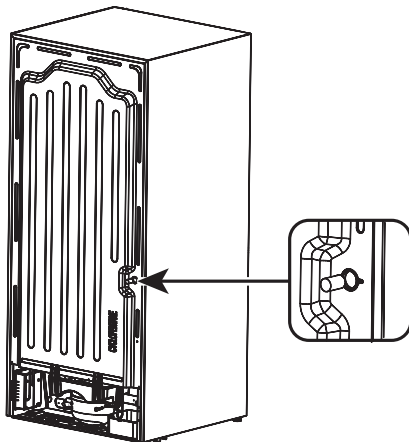
6 Remove the label and then remove the foam

- Peel the label off the water hole on the back of your refrigerator.



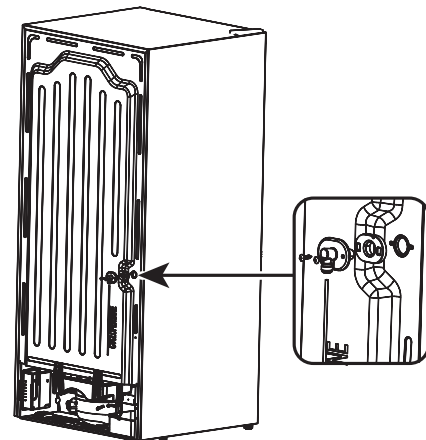
7 Remove the thermal insulation foam strip

- Use needle nose pliers to remove the thermal insulation foam strip from the hole you just exposed.



8 Fixed Sealed silica gel block and water pipe joint

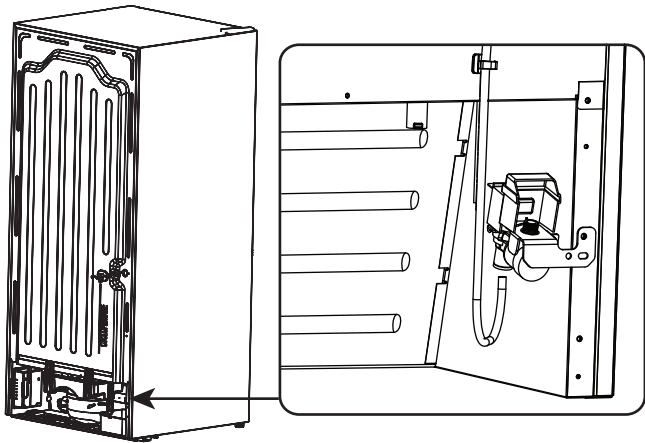
- Remove the water tube connector, silicone seal, long water supply tube, and white head screw from the accessory bag, then assemble the parts by aligning the notch on the silicone seal with the notch on the water tube connector, inserting one end of the water supply tube into the quick change sealing ring at the bottom of the connector. Make sure that all parts are securely assembled. Insert the water supply assembly into the water inlet hole on the back of your refrigerator, and secure it with the long screw from the accessory bag.



Installation Instructions - (Bottom mount freezer)

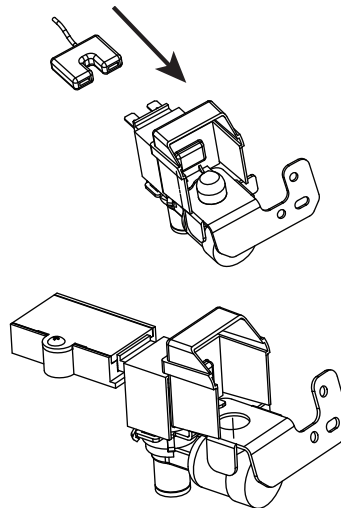
9 Fixed water valve

- Locate the pre-punched holes at the bottom right corner of the back panel of the refrigerator. Align the water valve bracket with the factory drilled holes, then use a Phillips head screwdriver to drive the two self-drilling screws through the bracket and into the cabinet.



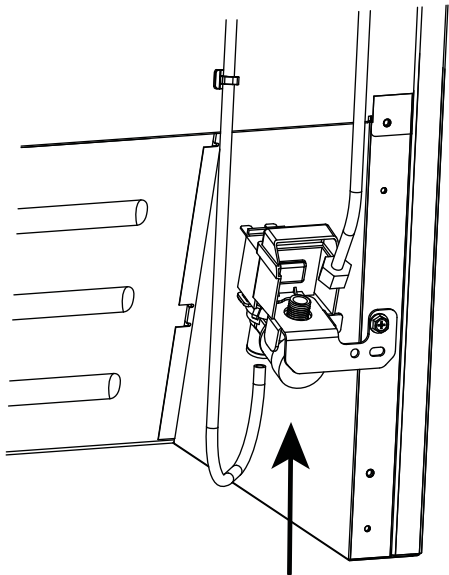
10 Connect the wiring harness to the water valve

- Connect the wiring harness to the water valve, making sure that the connection is tight, then install the mounting box and box cover on the plug.



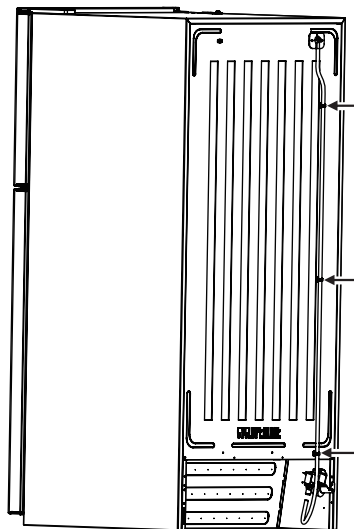
11 Water valve and plastic water supply tubing connection

- Grasp the other end of the plastic tube and push it firmly into the quick connection on the valve until it bottoms out.



12 Plastic water supply tubing fixed

- Clean the back of the cabinet with a commercial household cleaner, ammonia, or alcohol before applying the clamps. Secure the plastic water supply tubing to the back of the cabinet with three plastic clamps.



Installation Instructions

CONNECT WATER SUPPLY

Before beginning, ensure the following:

- This water line installation is not warranted by the refrigerator or ice maker manufacturer.
- Follow these instructions carefully to minimize the risk of water damage.
- Water hammer (water banging in the pipe) in house plumbing can cause damage to refrigerator parts and lead to water leakage or flooding. Call a qualified plumber to correct water hammer before installing the water supply line to the refrigerator.
- To prevent burns and product damage, do not hook up the water line to the hot water line.
- If you use your refrigerator before connecting the water line, make sure that the ice maker wire signal arm is in the OFF position.
- Do not install the ice maker tubing in areas where temperature falls below freezing.
- When using any electrical devices (such as a power drill) during installation, be sure the device is double insulated or grounded in a manner to prevent the hazard of electric shock, or the device is battery powered.
- All installations must be in accordance with local plumbing code requirements.
- Minimum / Maximum inlet water pressure, 138/827 kPa (20/120 psig).



WARNING: The ice maker should be installed by an authorized service technician.

WARNING: Make sure that the refrigerator is unplugged to eliminate the danger of electric shock during installation.

WARNING: Connect to potable water supply only.

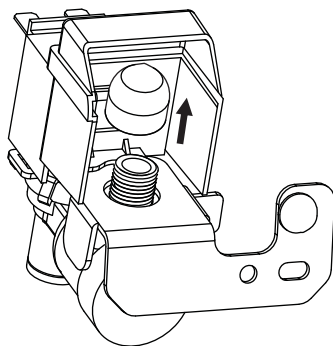
- Disconnect the refrigerator from the electric wall outlet.
- Remove the parts in the water line kit that you purchased for this purpose.
- Connect the end of the water supply line to the household cold water line behind the refrigerator. Choose a location for the valve that is easy to access. We recommend that you connect it to the side of a vertical water pipe. If it is necessary to connect it to a horizontal water pipe, make the connection to the top or side, rather than at the bottom, to avoid drawing off any sediment from the water pipe.
- Make sure that the household water supply is turned off, then drill a ¼" hole in the water pipe (even if using a self-piercing valve), using a sharp bit. Remove any burrs resulting from drilling the hole. Take care not to allow water to drain into the drill. Failure to drill a ¼" hole may result in reduced ice production or smaller cubes.
- Fasten the shutoff valve to the cold water pipe with the pipe clamp, then tighten the pipe clamp screws until the sealing washer begins to swell. Do not over-tighten or you may crush the tubing.
- Route the tubing through a hole drilled in the wall or floor (behind the refrigerator or adjacent base cabinet) as close to the wall as possible.
- Connect the tubing to the valve by placing the compression nut and ferrules (sleeves) for copper tubing onto the end of the tubing and connect it to the shutoff valve. Make sure that the tubing is fully inserted into the valve.
- Tighten the compression nut securely. For plastic tubing, insert the molded end of the tubing into the valve and tighten the compression nut until it is hand-tight, then tighten one additional turn with a wrench. Over-tightening may cause leaks.
- Place the end of the water supply line into a sink or bucket and flush the water supply line with water until the water runs clear.

NOTES:

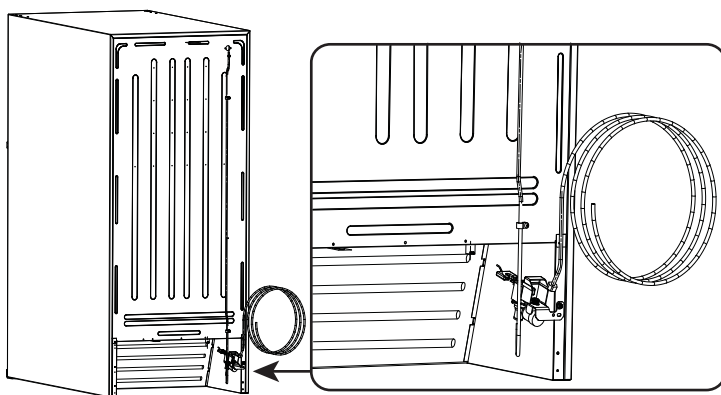
- Make sure that there is sufficient extra tubing to allow the refrigerator to move out from the wall after installation.
- Before making the connection to the refrigerator, be sure the refrigerator power cord is not plugged into the wall outlet.
- If your refrigerator does not have a water filter, we recommend installing one if your water supply has sand or particles that could clog the screen of the refrigerator's water valve.

Installation Instructions

- Unscrew the plastic cap from the water inlet valve and discard it.



- Slide a brass compression nut, then a ferrule (sleeve), onto the water supply line.

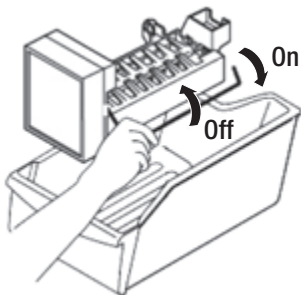


- Push the end of the tubing into the water inlet valve as far as it will go or $\frac{1}{4}$ -inch, then slide the ferrule (sleeve) into the valve inlet and finger tighten the compression nut onto the valve. Tighten another half turn with a wrench. **DO NOT** overtighten.
- Secure the water supply line to the back panel of your refrigerator with a steel clamp and screw at the location shown on the illustration.
- Coil the excess water supply line (about 2- $\frac{1}{2}$ turns) behind the refrigerator and arrange the coils so they do not vibrate or wear against any other surface.
- Turn on the water supply at the shutoff valve and tighten any connections that leak.
- Reconnect the refrigerator to the electric wall outlet.
- To turn on the ice maker, lower the wire signal arm.

Operating Instructions

TIPS FOR USING YOUR AUTOMATIC ICE MAKER

- Remember that water quality determines the quality of ice. The ice maker should not be connected to softened water. If the water softener has problems, chemical substances can damage the ice maker.
- To turn off the ice maker, raise the wire signal arm until it locks in the “up” off position. When the ice storage bin is full, the wire signal arm will hit the ice cubes and the ice maker will automatically shut down.



- If you store ice cubes too long they may produce a peculiar smell. To eliminate the smell, empty the ice storage bin, wash it out, then replace it. The ice maker will produce more ice cubes.
- Shake the ice storage bin from time to time to ensure that the ice cubes separate from each other.
- Before the refrigerator is connected to the water supply system, or any time the water supply is turned off, the wire signal arm should be in the “up” or closed position.

IMPORTANT: It takes approximately 24 hours for the ice maker to begin producing usable ice. Air in new plumbing lines may cause the ice maker to cycle two or three times before making a full tray of ice. New plumbing may cause ice to be discolored or have poor flavor. Discard ice made during the first 24 hours.

MAINTAINING YOUR ICE MAKER

- Use mild detergent in warm water to clean the ice storage box, then rinse and dry it.
- Turn off the ice maker when you clean your refrigerator or plan to be away for a short period.
- If you are going away for an extended period, turn off the water supply valve.

Troubleshooting



CAUTION: Do not try to repair your ice maker yourself. Doing so invalidates the warranty.

Problem	Possible Cause	Possible Solution
The ice maker makes no ice	The freezer temperature is too high.	Make sure that the freezer temperature is low enough to make ice.
	There may be something mechanically wrong with the ice maker.	Test or have tested the following: <ul style="list-style-type: none"> • The ejector gear • The ejector motor • The ice mold heater • The holding switch • The water inlet switch • The thermostat • The water inlet valve
The ice maker is not working	The ice maker is not plugged in correctly.	Make sure that the ice maker connector plug is fully inserted into the socket.
The ice tray is not filling	The fill tube is not correctly seated in the fill cup.	Make sure that the fill tube is correctly inserted into the fill cup opening.
	The water supply valve is turned off.	Make sure that the water supply valve is turned on. Inspect the water supply line for problems.
The ice smells funny	The ice storage bin needs cleaning.	Empty and wash the ice storage bin and discard the old ice cubes.
The ice maker buzzes	Normal	The ice maker water valve buzzes when the ice maker fills with water.
The ice maker makes too much ice or will not shut off	The wire signal arm is jammed in the wrong position.	Make sure that the ice maker wire signal arm is not jammed and free it if it is.
	The shutoff switch is broken.	Call an appliance technician and have the switch tested.
The ice cubes will not eject	There may be something mechanically wrong with the ice maker	Test or have tested the following: <ul style="list-style-type: none"> • The ejector gear • The ejector motor • The ice mold heater • The water inlet switch • The thermostat
The ice smells funny or tastes bad	The ice storage bin or freezer needs cleaning.	Empty and wash the ice storage bin and discard the old ice cubes. Wash the interior of the freezer. Remove any old food.
	The water inlet filter (if you are using one) needs to be replaced.	Replace the water inlet filter.
	There may be impurities in the water supply line.	Flush out the water supply line.
The ice is discolored	There may be impurities in the water supply line or the ice mold tray.	Flush out the water supply line and clean the ice mold tray. Install a water supply line filter if your refrigerator doesn't have one.

Warranty

Element Appliance Limited Warranty (the “Products” or “Product” when referencing a singular product herein)

This Product (including any accessories included in the original packaging) as supplied and distributed in new condition, is warranted by Element Appliance Company, LLC (“Element”) to the original customer who purchases the Product from an authorized Element retailer (the “Original Customer” or “you”) against defects in material and workmanship under proper use, maintenance, and care according to the owner’s manual, warnings, and instructions accompanying the Product (“Warranty”) as follows:

* PLEASE NOTE – Proof of purchase evidencing the date of purchase by the Original Purchaser from an authorized Element retailer (“Valid Proof of Purchase”) is required for all Warranty service. The express Warranty set forth herein is subject to all terms and conditions set forth below.

1. WARRANTY SERVICE:

A. ONE-YEAR WARRANTY: Except as provided in subpart 1.B below, for a period of one (1) year from the date of purchase by the Original Customer (the “Warranty Period”), if the parts or components covered by this Warranty are determined by Element or Element’s authorized service provider to be defective in material or workmanship, Element will, at its sole and absolute discretion and option: (i) repair the defective part or component at no charge to the Original Customer, (ii) replace the defective Product with a new Product of similar or better quality, at no charge to the Original Customer, or (iii) refund the documented purchase price paid by the Original Customer (excluding tax) to the Original Customer upon return of the defective Product as directed by Element. After the Warranty Period expires, the Original Customer must pay for all parts, components, shipping and handling, labor, and replacement costs associated with the Product or any part or component thereof, regardless of any defects in the Product or any part or component thereof.

B. LIMITED EXTENDED WARRANTY THROUGH PRODUCT REGISTRATION: If and only if the Original Customer registers the Product at www.elementelectronics.com within ninety (90) days of the date of purchase by the Original Customer, then the Warranty Period discussed in subpart 1.A. above shall be extended an additional one (1) year to a new Warranty Period equaling two (2) years from the date of purchase by the Original Customer. If the Product is not registered as provided for in this subpart 1.B, then the standard one-year Warranty Period set forth in subpart 1.A shall apply.

C. TIMING AND PROCEDURE: Before Warranty service can commence, the Original Customer must contact either (i) the retailer from whom the Original Customer purchased the Product, or (ii) Element directly, in either case for problem determination and service procedures. Valid Proof of Purchase evidencing that the Product is within the Warranty Period MUST be presented by Original Customer in order to obtain the requested Warranty service. Please have your model and serial number available, along with your date of purchase of the Product. To remain eligible for Warranty service, Original Customer may not return the Product or any part or component thereof to the retailer or Element without Element’s prior written consent.

2. EXCLUSIONS AND LIMITATIONS TO WARRANTY SERVICE

The Warranty covers manufacturing defects in materials and workmanship of the Product encountered in the normal, non-commercial use of the Product, and does not cover (a) damages or malfunctions resulting from improper or unreasonable use or maintenance, abuse, negligence, failure to follow instructions contained in any written materials that accompany the Product, deterioration by reason of excess moisture, corrosive atmosphere, lightning, power surges, connections to improper voltage supply, unauthorized alteration, or other external causes such as extremes in temperature or humidity, modifications, scratches or discoloration; (b) improper or incorrectly performed repairs by service providers not authorized by Element; (c) transportation, shipping, delivery, pickup, insurance, installation, or set-up costs; (d) ordinary wear and tear, cosmetic damage, or damage due to acts of nature, including but not limited to, water, floods, wind, storm, tornado, earthquake, or fire, or due to damage caused by extraordinary impact events, such as dropping, crushing, demolition or other extraordinary damage; (e) commercial use of the Product, or use of the Product for anything other than single-family household or residential use; or (f) modification of the Product or any part of the Product.

This Warranty is made to the Original Customer only and does not cover Products sold AS IS or WITH ALL FAULTS. The Warranty is invalid if the factory-applied serial number has been altered or removed from the Product. This Warranty is valid only in the United States, and only applies to Product if it was purchased and serviced in the United States. The addition of equipment or features to the Product that are not manufactured or recommended by Element could affect the intended function of the Product, and therefore may void the Warranty.

Furthermore, the exposure of the Product to chemicals, heat, cold, humidity, or other elements can affect the Product components, and therefore, the Warranty does not cover discoloration, fading, cosmetic changes, rust, or any damages or failure related to any such items. The Warranty is contingent upon the proper use, maintenance, and care of the Product. The Warranty may be void if the Product has been used in a manner contradictory to, or in violation of, the terms of the user’s manual, warnings, or instructions accompanying the Product.

Warranty

THIS WARRANTY IS MADE IN LIEU OF AND SUPERSEDES ALL OTHER WARRANTIES OR CONDITIONS OF MERCHANTABILITY OR FITNESS FOR A PARTICULAR PURPOSE OR GENERAL USE, WHETHER EXPRESS, IMPLIED, COLLATERAL, STATUTORY, OR PROVIDED BY COMMON LAW, THE UNIFORM COMMERCIAL CODE, OR OTHERWISE. ELEMENT FURTHER DISCLAIMS ALL WARRANTIES AFTER THE END OF THE WARRANTY TERM DEFINED ABOVE. NO OTHER EXPRESS WARRANTY OR GUARANTY GIVEN BY ANY OTHER PERSON, FIRM, OR ENTITY WITH RESPECT TO THE PRODUCT SHALL BE BINDING ON ELEMENT. REPAIR, REPLACEMENT, OR REFUND OF THE ORIGINAL PURCHASE PRICE, AT ELEMENT'S SOLE DISCRETION, ARE THE EXCLUSIVE REMEDIES OF THE CUSTOMER.

ELEMENT SHALL NOT BE LIABLE FOR ANY INCIDENTAL OR CONSEQUENTIAL DAMAGES CAUSED BY THE USE, MISUSE, OR INABILITY TO USE THE PRODUCT. THESE INCLUDE, BUT ARE NOT LIMITED TO, ANY DAMAGES IN THE FORM OF LOST PROFITS, LOSS OF USE, LEGAL FEES, ECONOMIC LOSS, PERSONAL INJURIES, OR ANY OTHER DAMAGES CAUSED BY CIRCUMSTANCES BEYOND THE CONTROL OF ELEMENT. NOTWITHSTANDING THE FOREGOING, ELEMENT'S AGGREGATE LIABILITY TO ANY CUSTOMER SHALL NOT EXCEED THE ORIGINAL PURCHASE PRICE OF THE PRODUCT. THIS WARRANTY SHALL NOT EXTEND TO ANYONE OTHER THAN THE ORIGINAL CUSTOMER WHO PURCHASED THE PRODUCT, AND IS NOT TRANSFERRABLE. NO PERSON IS AUTHORIZED TO ALTER, EXTEND, OR WAIVE THIS WARRANTY OR ANY OF ITS TERMS OR CONDITIONS.

Some states do not allow the exclusion or limitation of incidental or consequential damages, or allow limitations on warranties, so the above limitations or exclusions may not apply to you. This Warranty gives you specific rights, and you may have other rights, which vary from state to state. The exclusions and limitations to the Warranty apply to the maximum extent permitted by law and unless restricted or prohibited by law. Where any term of this Warranty is prohibited by applicable law, it shall be null and void, but the remainder of this Warranty shall remain in effect.

PLEASE DIRECT ALL CORRESPONDENCE TO:
Element Appliance Company, LLC
customerservice@elementelectronics.com
(888) 842-3577
<https://elementelectronics.com>



CONTACT US:

Element Appliance Company, LLC. Customer Service

Customer Support: 888-842-3577

customerservice@elementelectronics.com

Copyright © 2022

Element Appliance Company, LLC. All rights reserved.

Element Appliance Company and E Element are trademarks of Element Brand Holding, LLC