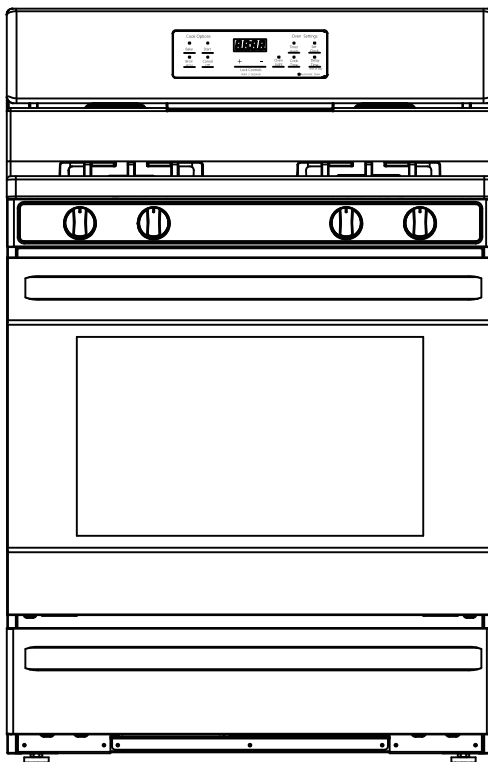




## 30" Standard Gas Range Installation Manual



EGR34MCCW/EGR34MCCS/EGR34MCCB

### INSTALLATION MANUAL

**▲ CAUTION:** To Reduce The Risk Of Injury, User Must Read And Understand Operators Manual. Save These Instructions For Future Reference.

# TABLE OF CONTENTS

<b>RANGE SAFETY</b> . . . . .	3
Anti-Tip Bracket. . . . .	4
Install Anti-Tip Bracket . . . . .	4
<b>INSTALLATION REQUIREMENTS.</b> . . . . .	5
Tools and Parts . . . . .	6
Product Dimensions. . . . .	7
Cabinet Dimensions. . . . .	8
Electrical Connection . . . . .	8
Electrical Requirements. . . . .	9
Gas Supply Requirements. . . . .	9
<b>INSTALLATION INSTRUCTIONS.</b> . . . . .	12
Make Gas Connection. . . . .	12
Electronic Ignition System. . . . .	14
Oven Door. . . . .	15
<b>LEVEL RANGE</b> . . . . .	16
<b>GAS CONVERSIONS.</b> . . . . .	17
Make Gas Connection. . . . .	17
LP Gas Conversions. . . . .	17
Gas Pressure Regulator. . . . .	17
Natural Gas to LP Gas. . . . .	18
LP Gas Orifice Spud Chart . . . . .	18
Natural Gas to LP Gas. . . . .	19

**IMPORTANT:**  
**INSTALLER: LEAVE INSTALLATION INSTRUCTIONS WITH THE HOMEOWNER.**  
**HOMEOWNER:**  
**KEEP INSTALLATION INSTRUCTIONS FOR FUTURE REFERENCE.**

# RANGE SAFETY INFORMATION


**FOR YOUR SAFETY AND THE SAFETY OF OTHERS, PLEASE READ ALL SAFETY INSTRUCTIONS BEFORE INSTALLING THIS APPLIANCE.**

There are important safety messages in this manual for this appliance. Failure to follow the instructions may result in potential safety hazards to you or to the product, which may cause bodily injury.

All safety messages will explain what the potential hazards are, explain how to reduce the chance of injury, and state what can happen if the instructions are not followed.

## SYMBOL MEANING

**ALL SAFETY MESSAGES WILL EXPLAIN WHAT THE POTENTIAL HAZARDS ARE, EXPLAIN HOW TO REDUCE THE CHANCE OF INJURY, AND STATE WHAT CAN HAPPEN IF THE INSTRUCTIONS ARE NOT FOLLOWED.**

	<p>This is the safety alert symbol.</p>
	<p>This symbol alerts you to potential hazards that can hurt or kill you and others.</p>
	<p>All safety messages will follow the safety alert symbol with either the word: <b>DANGER</b> or <b>WARNING</b>.</p>
	<p>All safety messages will explain what the potential hazards are, explain how to reduce the chance of injury, and state what can happen if the instructions are not followed.</p>
	<p>Do not store or use gasoline or other flammable vapors and liquids in the vicinity of this or any other appliance.  <b>For your safety, have your range installed and/or serviced by a qualified technician or service agency.</b>  <b>What to do if you smell gas:</b>          Do not light any appliance          Do not touch any electrical switch          Do not use any phones in your home          Immediately call your gas supplier from a safe location outside of the home. Follow the gas suppliers instructions          In the event of an emergency, exit the home immediately, and call the fire department.</p>

## **▲ DANGER:**

**YOU MAY BE SERIOUSLY INJURED OR KILLED IF YOU DO NOT IMMEDIATELY FOLLOW INSTRUCTIONS!**

**DO NOT STORE OR USE GASOLINE OR OTHER FLAMMABLE VAPORS AND LIQUIDS IN THE VICINITY OF THIS OR ANY OTHER APPLIANCE.**

## **▲ WARNING:**

**FIRE EXPLOSION HAZARD**

**IF THE INFORMATION IS NOT FOLLOWED EXACTLY, A FIRE OR EXPLOSION MAY OCCUR, RESULTING IN PROPERTY DAMAGE, PERSONAL INJURY, OR DEATH.**

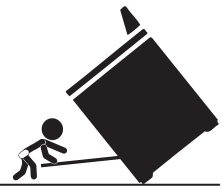
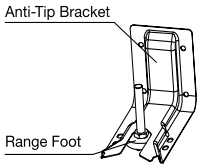
**INSTALLATION MUST BE PERFORMED BY A QUALIFIED TECHNICIAN.**

**REMOVE PACKAGING MATERIALS BEFORE INSTALLATION, REMEMBER TO REMOVE ALL THE PACKAGING MATERIAL FROM THE INTERIOR AND EXTERIOR PARTS OF THE RANGE, INCLUDING INSIDE THE OVEN. FAILURE TO REMOVE PACKAGING MATERIALS MAY RESULT IN DAMAGE OR INJURY.**

# RANGE SAFETY INFORMATION (continued)

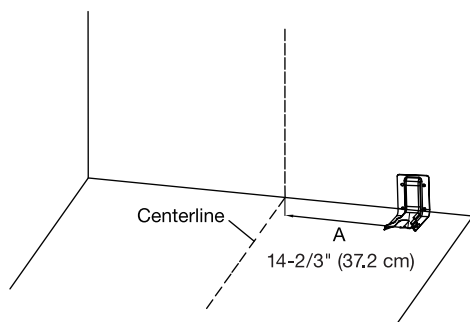
## ANTI-TIP BRACKET

The range will not tip during normal use. However, the range can tip if you apply too much force or weight to the open door without the anti-tip bracket fastened down properly.

<b>▲WARNING:</b>	<b>TIP OVER HAZARD</b>
	<p>A child or adult can tip the range and be killed.</p> <p>Make sure the anti-tip bracket has been properly installed and secured per the installation instructions.</p> <p>Re-secure the anti-tip bracket if range is moved.</p> <p>Do not operate the range without the anti-tip bracket installed and secured.</p> <p>Failure to follow these instructions can result in death or serious burns to adults and children.</p>
	<p><b>TO VERIFY THE ANTI-TIP BRACKET IS INSTALLED AND SECURED PROPERLY:</b></p> <ol style="list-style-type: none"><li>1. Slide range forward</li><li>2. Look for the anti-tip bracket attached to the floor or wall, then slide range back so rear range foot is under anti-tip bracket.</li><li>3. If the range can be tipped away from the wall, the range has not been secured in place. Repeat steps 1-2 to ensure rear range foot is set properly.</li></ol> <p><b>NOTE: SEE SAFETY INSTRUCTIONS BELOW FOR FURTHER DETAILS.</b></p>

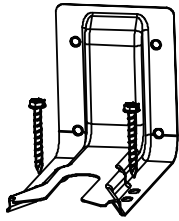
### How To Install Anti-Tip Bracket:

1. Remove the anti-tip bracket from the supplies and manual packet.
2. Determine which mounting method to use: floor or wall. If you have a stone or masonry floor, you can use the wall mounting method. If you are installing the range in a mobile home, you must secure the range to the floor.
3. Determine and mark centerline of the cutout space. The mounting can be installed on either the left side or right side of the cutout. Position mounting bracket against the wall in the cutout so that the V-notch of the bracket is 13-1/9" (33.3 cm) from centerline as shown.
4. Drill two 1/8" (3 mm) holes that correspond to the bracket holes of the determined mounting method. See the following illustrations.

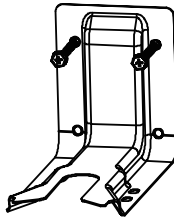


# INSTALLATION REQUIREMENTS

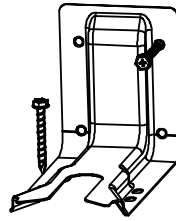
## FLOOR/WALL MOUNTING:



Front/Floor Position



Rear/Wall Position



Diagonal (2 Options)

Before beginning the installation process, gather all the required tools and parts. Read and follow the instructions as provided.

Remember to remove all the packaging material from interior and exterior parts of the oven before connecting the gas or electrical supply.

## LOCATION REQUIREMENTS

### IMPORTANT:

Observe all governing codes and ordinances. Do not obstruct flow of combustion and ventilation air.

It is the installers responsibility to comply with installation clearances specified on page 8 of this installation manual. The model/serial rating plate is located on the oven frame behind the top left side of the "Broil" door.

Recessed installations must provide complete enclosure of the sides and rear of the range.

All openings in the wall or floor where range is to be installed must be sealed.

Do not seal the range to the side cabinets.

Cabinet opening dimensions that are shown must be used.

Given dimensions are minimum clearances.

The floor anti-tip bracket must be installed. To install the anti-tip bracket shipped with the range, see Install Anti-Tip Bracket section.

Grounded electrical supply is required. See Electrical Requirements section.

Proper gas supply connection must be available. See Gas Supply Requirements section.

Contact a qualified floor covering installer to check that the floor covering can withstand at least 200°F (93°C).

Use an insulated pad or ¼" (0.64 cm) plywood under range if installing range over carpeting.

### IMPORTANT:

**TO AVOID DAMAGE TO YOUR CABINETS, CHECK WITH YOUR BUILDER OR CABINET SUPPLIER TO MAKE SURE THAT THE MATERIALS USED WILL NOT DISCOLOR, OR SUSTAIN OTHER DAMAGE.**

# INSTALLATION REQUIREMENTS (continued)

## Tools/Parts Needed:

Tape Measure	Hammer	15/16" Combination Wrench
Flathead Screwdriver	Pipe Wrench	1/4" Drive Ratchet
Phillips Screwdriver	Wrench or Pliers	3/8" Nut Driver
Level	Marker or Pencil	1/8" (3.2 mm) drill bit (for wood floors)
Hand or Electric Drill	Gas Line Thread Tape or Gas Pipe Joint Compound	

## For LP/Natural Gas Conversions

3/8" Combination Wrench	Phillips Screwdriver
1/2" Combination Wrench	Masking Tape
5/8" Combination Wrench 7 mm (9/32") Nut Driver	

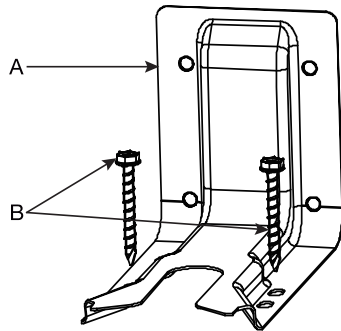
## Parts Supplied:

Check that all parts are included. Anti-tip bracket must be securely mounted to the floor or wall. Thickness of flooring may require longer screws to anchor bracket to the floor.

- A. Anti-tip bracket
- B. #10 x 1-7/8" screws (2)
- C. LP Conversion Kit

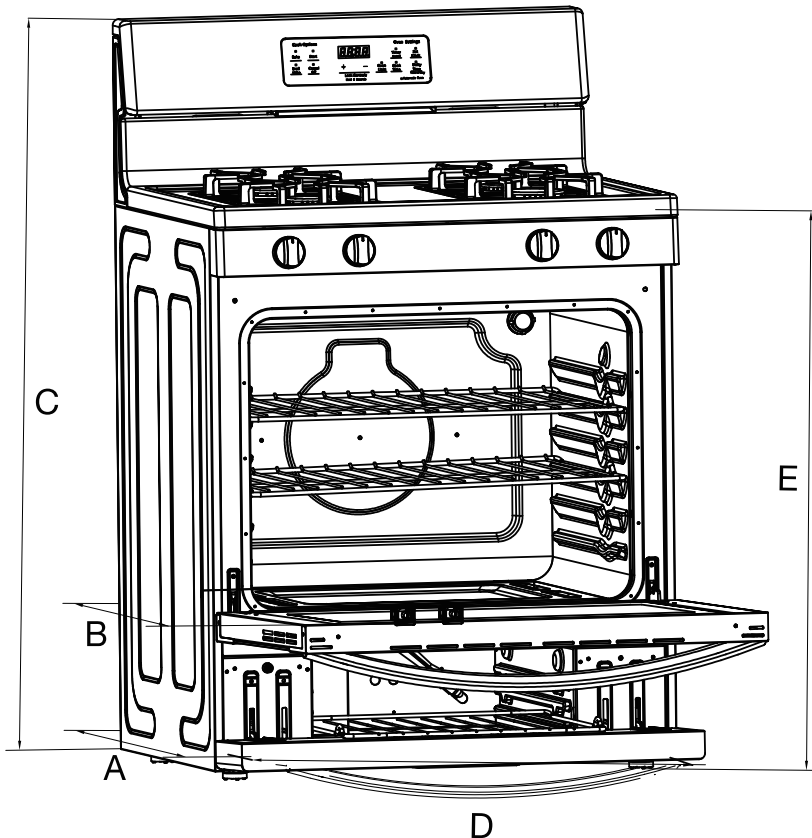
## Parts You May Need:

Check local codes and consult gas supplier. Check existing gas supply and electrical supply. See Electrical Requirements and Gas Supply Requirements sections.



#10 x 1-7/8" screws (2)

## INSTALLATION REQUIREMENTS (continued)



### **IMPORTANT:**

To avoid damage to your cabinets, check with your builder or cabinet supplier to make sure that the materials used will not discolor the laminate or sustain other damage. This oven has been designed in accordance with the requirements of UL and CSA International and complies with the maximum allowable wood cabinet temperatures of 194°F (90°C).

### **Mobile Home Installation Requirement:**

When this range is installed in a mobile home, it must be secured according to the instructions in this document.

### **Product Dimensions:**

- A. 25.63" (65.10 cm) depth. Back of range to front of cooktop
- B. 28.5" (72.4 cm) max. depth with handle
- C. 46.38" (117.8) overall height (max.) with leveling legs
- D. 29.87" (75.9 cm) width
- E. 35.9" (91.2 cm) cooktop height (max.) with leveling legs

### **IMPORTANT:**

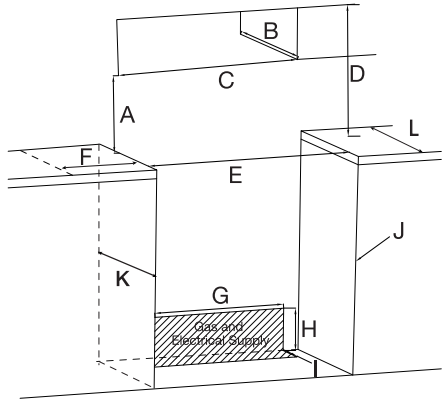
Range must be level after installation. Follow the instructions in the Level Range section. Using the cooktop as a reference for leveling the range is not recommended. Range can be raised approximately 1.18" (3 cm) by adjusting the leveling legs.

# INSTALLATION REQUIREMENTS (continued)

## CABINET DIMENSIONS

Cabinet opening dimensions shown are for 26" (66.0 cm) countertop depth, 24" (61.0 cm) base cabinet depth and 36" (91.4 cm) countertop height.


- A. 18" (45.7 cm) upper side cabinet to countertop
- B. 13" (33 cm) maximum upper cabinet depth
- C. 30-1/8" (76.5 cm) minimum opening width
- D. For minimum clearance to top of cooktop, see \*NOTE below.
- E. 30-1/8" (76.5 cm) minimum opening width
- F. 13" (33 cm) minimum clearance from both sides of range to side wall or other combustible material.
- G. 27" (68.7 cm)
- H. 7-4/5" (19.8 cm)
- I. 3-1/5" (8 cm)
- J. Cabinet door or hinges should not extend into the cutout.
- K. 24" (61.0 cm)
- L. 26" (66.0 cm)



**\*NOTE:** Allow 30" minimum clearance between surface units and bottom of unprotected wood or metal cabinet, or allow a 24" (61.0 cm) minimum when bottom of wood or metal cabinet is protected by no less than 1/4" (0.64 cm) thick flame retardant millboard covered with not less than No 28 MSG sheet metal [0.015" (0.4 mm)], 0.015" (0.4 mm) thick stainless steel, 0.024" (0.6 mm) aluminum or 0.020" (0.5 mm) copper.

**IMPORTANT:**  
**TO AVOID DAMAGE TO YOUR CABINETS, CHECK WITH YOUR BUILDER OR CABINET SUPPLIER TO MAKE SURE THAT THE MATERIALS USED WILL NOT DISCOLOR, OR SUSTAIN OTHER DAMAGE.**

## ELECTRICAL CONNECTION

	<p><b>ELECTRICAL SHOCK HAZARD</b></p> <p><b>Disconnect power before servicing.</b>  <b>Use 18 gauge copper wire.</b>  <b>Electrically ground range.</b>  <b>Failure to follow these instructions can result in death, fire and/or electric shock.</b></p>
---	---



# INSTALLATION REQUIREMENTS (continued)

## ELECTRICAL REQUIREMENTS

110/120V, 60HZ, properly grounded circuit protected by a 15-amp or 20-amp circuit breaker or time delay fuse. It is recommended that a separate circuit serving only this range be provided.

**Note:** Use of automatic, wireless, or wired external switches that shut off power to the appliance are not recommended for this product.


Grounding the power cord of this appliance is equipped with a three-prong (grounding) plug which plugs into a standard three-prong grounding wall receptacle to minimize the possibility of electric shock hazard from this appliance.

The customer should have the wall receptacle and circuit checked by a qualified electrician to make sure the receptacle is properly grounded.

Where a standard two-prong wall receptacle is encountered, it is the personal responsibility and obligation of the customer to have it replaced with a properly grounded three-prong wall receptacle.

**DO NOT, UNDER ANY CIRCUMSTANCES, CUT OR REMOVE THE THIRD (GROUND) PRONG FROM THE POWER CORD. DO NOT USE AN ADAPTER. DO NOT USE AN EXTENSION CORD.**

## GAS SUPPLY REQUIREMENTS

<b>⚠ WARNING:</b>	<b>EXPLOSION HAZARD</b>
	<p>Use a new UL or CSA-US International approved gas supply line.</p> <p>Install a shut-off valve.</p> <p>Securely tighten all gas connections.</p> <p>If connected to LP, have a qualified person make sure gas pressure does not exceed 14" (36 cm) water column.</p> <p>Examples of a qualified person include: Licensed Heating Personnel, Authorized Gas Company Personnel, and Authorized Service Personnel.</p> <p>Failure to do so can result in explosion, fire and death.</p>

Observe all governing codes and ordinances.

### **IMPORTANT:**

This installation must conform with all local codes and ordinances. In the absence of local codes, installation must conform with American National Standard, National Fuel Gas Code ANSI Z21.1 Household Cooking Gas Appliances.

**IMPORTANT:** Leak testing of the gas lines to the range must be conducted before using the range.

**NOTE:** There is a wiring diagram located on the back of the oven.

# INSTALLATION REQUIREMENTS (continued)

## TYPE OF GAS

### Natural Gas:

This range is design-certified by UL International for use with Natural gas or, after proper conversion, for use with LP gas.

This range is factory set for use with Natural gas. The Model/Serial rating plate is located on the oven frame behind the left side of the Broil door and on the back of the oven, which has information on the types of gas that can be used. If the types of gas listed do not include the type of gas available, check with the local gas supplier.

### LP Gas Conversion:

Conversion must be done by a qualified service technician. No attempt **should** be made to convert the appliance from the gas specified on the model/serial rating plate for use with a different gas without consulting the serving gas supplier. An LP conversion kit is included with the unit. Refer to page 17 for instructions on LP conversion.

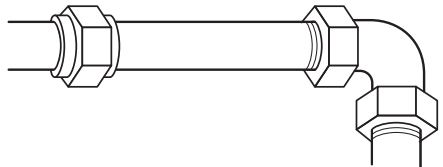
### Flexible Metal Appliance Connector:

If local codes permit, a new UL or CSA-US design-certified, 4 to 5 ft (122 to 152.4 cm) long, 1/2" (1.3 cm) or 3/4" (1.9 cm) D., flexible metal appliance connector may be used for connecting range to the gas supply line. 1/2" (1.3 cm) male pipe thread is needed for connection to the female pipe threads of the inlet to the appliance pressure regulator. Do not kink or damage the flexible metal tubing when moving the range.



### Rigid Pipe Connection:

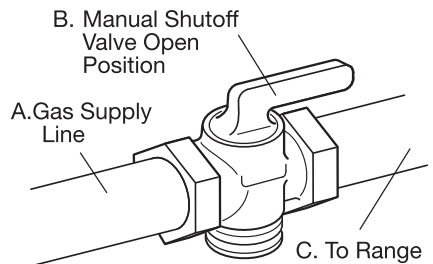
The rigid pipe connection requires a combination of pipe fittings to obtain an in-line connection to the range. The rigid pipe must be level with the range connection. All strains must be removed from the supply and fuel lines so range will be level and in line.



### Must Include A Shutoff Valve:

The supply line must be equipped with a manual shutoff valve. This valve should be located in the same room but external to the range opening, such as an adjacent cabinet. It should be in a location that allows ease of opening and closing. Do not block access to the shutoff valve. The valve is for turning on or shutting off gas to the range.

- A. Gas supply line
- B. Shutoff valve open position
- C. To range



# INSTALLATION REQUIREMENTS (continued)

## **Gas Pressure Regulator:**

The gas pressure regulator supplied with this range must be used. The inlet pressure to the regulator should be as follows for proper operation:

### **Natural Gas:**

Minimum pressure: 6" WCP

Maximum pressure: 13" WCP

### **LP Gas:**

Minimum pressure: 11" WCP

Maximum pressure: 13" WCP

Contact local gas supplier if you are not sure about the inlet pressure.

## **Gas Supply Pressure Testing:**

Gas supply pressure for testing regulator must be at least 1" water column pressure above the manifold pressure shown on the model/serial rating plate.

### **Line pressure testing above 1/2 psi gauge (14" WCP):**



The range and its individual shutoff valve must be disconnected from the gas supply piping system during any pressure testing of that system at test pressures more than 1/2 psi (3.5 kPa).

### **Line pressure testing at 1/2 psi gauge (14" WCP) or lower:**

The range must be isolated from the gas supply piping system by closing its individual manual shutoff valve during any pressure testing of the gas supply piping system at test pressures equal to or less than 1/2 psi (3.5 kPa).

# INSTALLATION INSTRUCTIONS

## MAKE GAS CONNECTION

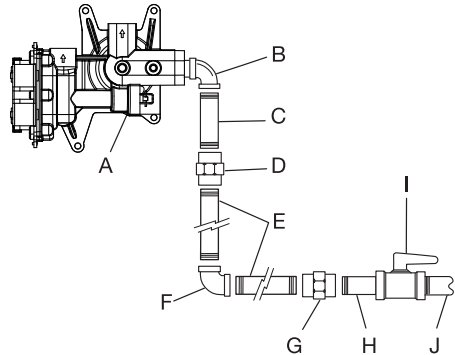
 <b>WARNING:</b>	<b>EXPLOSION HAZARD</b>
	<p>Use a new UL or CSA-US International approved gas supply line.</p> <p>Install a shut-off valve.</p> <p>Securely tighten all gas connections.</p> <p>If connected to LP, have a qualified person make sure gas pressure does not exceed 14" (36 cm) water column.</p> <p>Examples of a qualified person include: Licensed Heating Personnel, Authorized Gas Company Personnel, and Authorized Service Personnel.</p> <p>Failure to do so can result in explosion, fire and death.</p>

### TYPICAL RIGID PIPE CONNECTION:

A combination of pipe fittings must be used to connect the range to the existing gas line. Your connections may be different, according to the supply line type, size and location.

1. Apply pipe-joint compound made for use with LP gas to all pipe thread connections.
2. Using a pipe wrench to tighten, connect the gas supply to the range.

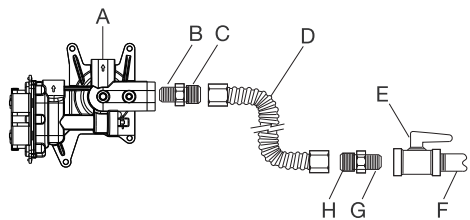
- A. Gas pressure regulator
- B. 90° elbow (must have 1/2" male pipe thread)
- C. Nipple
- D. Union
- E. Black iron pipe
- F. 90° elbow
- G. Union
- H. Nipple
- I. Manual gas shutoff valve
- J. 1/2" or 3/4" gas pipe



### Flexible Connection:

1. Apply pipe-joint compound or gas line pipe tape made for use with LP gas to the smaller thread ends of the flexible connector adapters (see B and G in the following illustration).
2. Attach one adapter to the gas pressure regulator and the other adapter to the gas shutoff valve. Tighten both adapters.
3. Use a 1-5/16" combination wrench and channel lock pliers to attach the flexible connector to the adapters. Check that the flexible connector is not kinked.

- A. Gas pressure regulator
- B. Use pipe-joint compound
- C. Adapter (must have 1/2" male pipe thread)
- D. Flexible connector
- E. Manual gas shutoff valve
- F. 1/2" or 3/4" gas pipe
- G. Use pipe-joint compound
- H. Adapter



# INSTALLATION INSTRUCTIONS (continued)

## Completing the Connection:

1. Open the manual shutoff valve in the gas supply line. The valve is open when the handle is parallel to the gas pipe.

- A. Closed valve
- B. Open valve

2. Test all connections by brushing on an approved noncorrosive leak-detection solution. If bubbles appear, a leak is indicated. Correct any leak found.

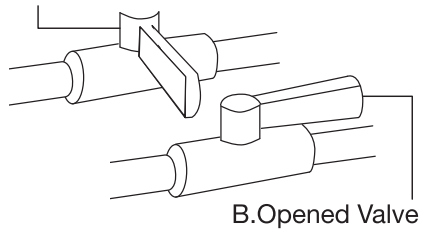
3. Burner caps should be level when properly positioned. If burner caps are not properly positioned, surface burners will not light. Place burner grates over burners and caps.

- A. Burner Base
- B. Burner Cap
- C. Burner Grate

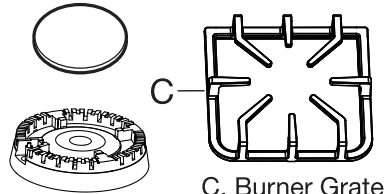
**NOTE:** Before plugging in the grounded cord, please read notes in the WARNING box before doing so.

4. Plug into a grounded 3-prong (110/120 VAC).
5. Slide range into final location, making sure the rear leveling leg slides into the slot of the anti-tip bracket.

A. Closed Valve




B. Burner Cap



A. Burner Base

C. Burner Grate

<b>⚠ WARNING:</b>	<b>ELECTRICAL SHOCK HAZARD</b>
	<p><b>Plug into a grounded 3 prong outlet.</b> <b>Do not remove ground prong.</b> <b>Do not use an adapter.</b> <b>Do not use an extension cord.</b> <b>Failure to follow these instructions can result in death, fire, or electrical shock.</b></p>

# INSTALLATION INSTRUCTIONS (continued)

## ELECTRONIC IGNITION SYSTEM

### Initial Lighting and Gas Flame Adjustments:

The Cooktop uses electronic igniters in place of standing pilots. When the cooktop control knob is turned to the IGNITE position, the system creates a spark to light the burner.

This sparking continues, as long as the control knob is turned to IGNITE.

When the oven control is turned to the desired setting, sparking occurs and ignites the gas.

Check Operation of Cooktop Burners.

### Check Operation of Cooktop and Oven Burners

#### Igniting the Standard Surface Burners:

Push in and turn the control knob to the IGNITE position.

The flame should light within 4 seconds. The first time a burner is lit, it may take longer than 4 seconds to light because of air in the gas line. Once the burner is lit, turn the knob to the desired heat setting.

#### Check Operation of Oven Burner

The oven burner is located beneath the oven, above the Broil drawer. To test the operation initiate the Bake or Broil function as outlined in page 15 of the User's Manual.

Igniters will "click" several times before the flame is ignited.

A "poof" sound is heard when the oven burner ignites.

A good flame is blue in color.

### If Burners Do Not Light Properly:

Turn cooktop control knob to the OFF position.

Check that the range is plugged in. Check that the circuit breaker has not been tripped to the household fuse has not blown.

Check that the gas shutoff valves are set to the open position.

Check that burner caps are properly positioned on burner bases.

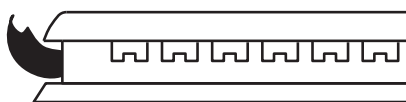
Repeat the steps in the Igniting the Standard Surface Burners section. If a burner does not light at this point, turn the control knobs to Off and contact your dealer or authorized service company for assistance.

### Adjust Flame Height

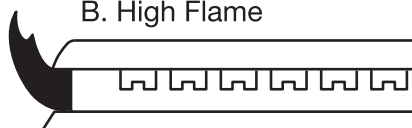
Adjust the height of top burner flames. The cooktop low burner flame should be a steady blue flame approximately 1/4" (0.64 cm) high.

- A. Low flame
- B. High flame

A. Low Flame



B. High Flame

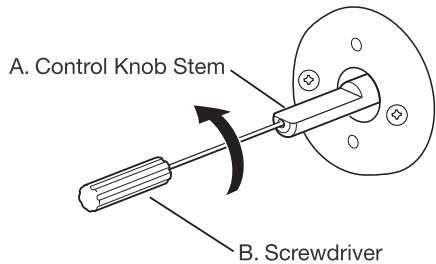


# INSTALLATION INSTRUCTIONS (continued)

## How to Adjust the Standard Burner:

The flame can be adjusted using the adjustment screw in the center of the valve stem. The valve stem is located directly underneath the control knob. If the low flame needs to be adjusted:

- A. Control knob stem
- B. Screwdriver



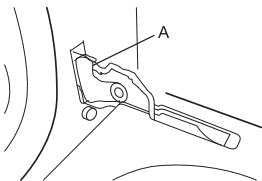
1. Light 1 burner and turn to the lowest setting.
2. Remove the control knob. (To remove the control knob, ensure the burner is set to LO, then pull knob straight away from the range).
3. Hold the knob stem with a pair of pliers. Use a small flat blade screwdriver to turn the screw located in the center of the control knob stem until the flame is the proper size. To increase the size of the flame turn counterclockwise, turn clockwise to reduce the size of the flame.
4. Replace the control knob. (To replace the control knob, align the inside compartment of the control knob with the control knob stem, and push control knob inward.)
5. Test the flame by turning the control knob from LO to HI, checking the flame at each setting.
6. Repeat above steps for each burner.

## OVEN DOOR

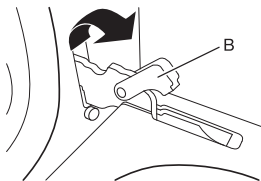
### HOW TO REMOVE OVEN DOOR:

**IMPORTANT:** Use both hands to remove oven door(s).

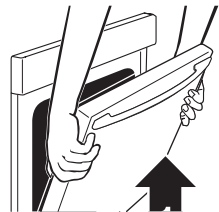
1. Open the oven door fully so it is at a 90 degree angle.
2. Next, locate the oven door latches in both corners of the oven door, then flip up the hinge latch on each side to the unlocked position. (See diagram below). Pliers may be required to unlock hinges.
3. Once the latch is in the unlocked position, grasp the oven door with both hands, and then gently close the oven door to as far as it will shut.
4. Using both hands, lift and pull the oven door towards you and remove.
5. Set the oven door(s) aside on a covered work surface.



A. Oven door hinge latch in locked position



B. Oven door hinge latch in unlocked position



# INSTALLATION INSTRUCTIONS (continued)

## HOW TO REINSTALL THE OVEN DOOR:

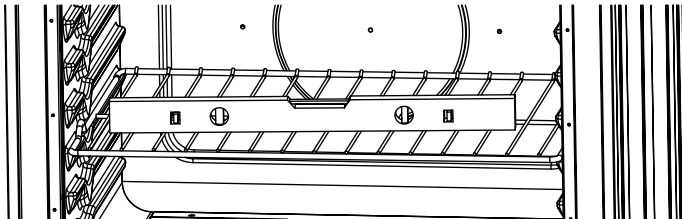
1. To reinstall the oven door, insert both hanger arms of the oven door into the range. The hinge latches on both sides should be in the unlocked position before inserting hanger arms into the range.
2. Once the hanger arms are placed into the range, open the oven door fully.
3. Next, locate the hinge lever latches, move them back to the locked position. It is recommended to use a rubber mallet to ensure hinges are securely locked into place.
4. Once the oven door levers are locked, gently close the door and check that the door can open and close with no issues.
5. Check to see if there are any gaps on both sides of the oven door. If there are gaps, the door has not been reinstalled correctly. Repeat the removal and installation procedure.



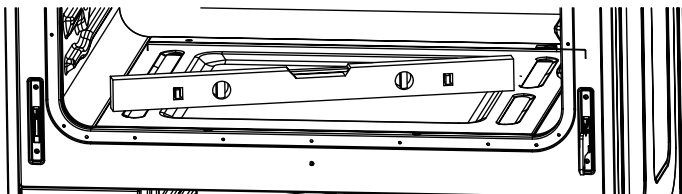
## LEVEL RANGE

### How To Level The Range:

1. To level your range, place a level straight across (left to right), on one of the racks inside your oven. If the range is uneven, adjust the leveling legs until the level is balanced. (Leveling legs are on the bottom of the range and can be adjusted by turning feet clockwise or counterclockwise.)



2. Once you have checked the levelness from left to right, take another reading by moving the level and placing it diagonally across the bottom of the oven. If the range is still uneven, adjust the leveling legs again until all angles on the level are balanced.






# GAS CONVERSIONS

Gas conversions from Natural Gas to LP Gas or from LP Gas to Natural Gas must be done by a qualified installer.

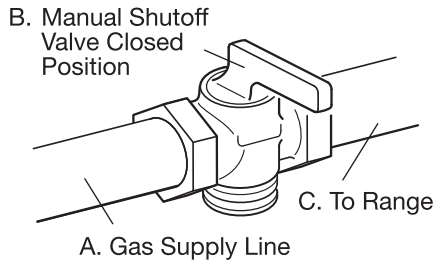
## MAKE GAS CONNECTION

<div style="border: 1px solid black; padding: 2px; display: inline-block;"><b>▲WARNING:</b></div>	<b>EXPLOSION HAZARD</b>
	<p>Use a new UL or CSA-US International approved gas supply line.</p> <p>Install a shut-off valve.</p> <p>Securely tighten all gas connections.</p> <p>If connected to LP, have a qualified person make sure gas pressure does not exceed 14" (36 cm) water column.</p> <p>Examples of a qualified person include: Licensed Heating Personnel, Authorized Gas Company Personnel, and Authorized Service Personnel.</p> <p>Failure to do so can result in explosion, fire and death.</p>

## LP GAS CONVERSIONS

### How to Turn Gas Supply Off

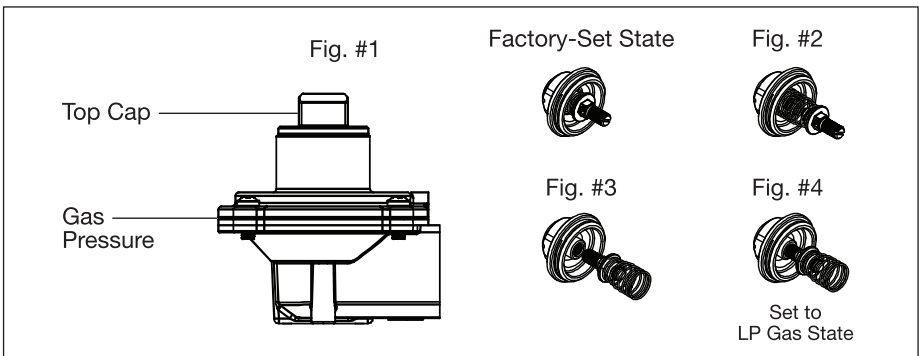
1. Turn the manual shutoff valve to the closed position.
2. Unplug range or disconnect power.
  - A. Gas Supply Line
  - B. Manual Shutoff Valve Closed Position
  - C. To Range



## HOW TO CONVERT GAS PRESSURE REGULATOR

### Natural Gas to LP Gas

1. Unplug the appliance from the electrical outlet to disconnect power supply and shut off gas supply to the range by closing the manual shutoff valve.
2. Turn gas pressure regulator top cap counterclockwise with a 5/8" combination wrench to remove (Fig. #1)
3. Remove the adapter from the top cover (Fig. #2).
4. Invert assembly adapter (Fig. #3) to the top cap and tighten into place fully (Fig. #4).
5. Reinstall the pressure regulator top cap.

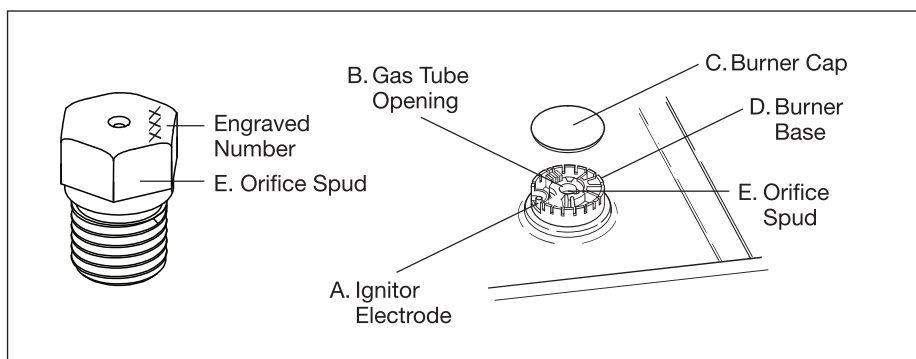


# GAS CONVERSIONS (continued)

## How to Convert the Surface Burners.

### NATURAL GAS TO LP GAS

1. Make sure the power is disconnected from the appliance and the manual gas shutoff valve is in the closed position.
2. Remove Burner Cap (C) and Burner Base (D).
3. Replace the Natural Gas Orifice Spud (E) [Hex-Nut 7 mm (9/32")] with correct LP Gas Orifice Spud [Hex-Nut 7 mm (9/32")] using a 7 mm or 5/16" Hex Sockets (Nut Driver).
4. Replace the Burner Base (D) and check whether it is properly positioned.
5. Return the Burner Cap (C) to its original position and check whether it is properly positioned.
6. Repeat steps 1-5 for the remaining burners.
7. Place Natural Gas Orifice Spuds in a plastic bag and label for your reference later.



### LP GAS ORIFICE SPUD CHART

<b>BURNER OUTPUT RATINGS: BTU/HR</b>			
<b>Liquid Propane (LP) Gas 10" W.C.P</b>			
<b>BURNER</b>	<b>BTU RATE</b>	<b>ORIFICE SIZE (mm)</b>	<b>INTERNAL VALVE COLOR</b>
LF	9500	0.90 (0.035")	Green
LR	9500	0.90 (0.035")	Green
RF	11500	1.02 (0.04")	Blue
RR	5000	0.66 (0.026")	Red
OVEN	18000	1.24 (0.049")	N/A

**NOTE:** Refer to the Model number and Serial Number Plate located on the left side of the frame when opening the Broil door or on the back of the oven.

After installation, leak testing is to be conducted by the installer according to the instructions given in this section. Turn on gas. Apply a non-corrosive leak detection fluid to all joints and fittings in the gas connection between the shutoff valve and the cooktop. Include gas fittings and joints in the cooktop as the connections may have been loosened during installation. Bubbles appearing around fittings and connections indicate a leak. An electronic Gas Leak Detector can also be used. If a leak appears, turn of the supply line gas shutoff valve and tighten the leaking connections. Retest for leaks by turning on the supply line gas shutoff valve. When the leak check is complete (no bubble appear), the test is complete. Wipe off all detection fluid residue.

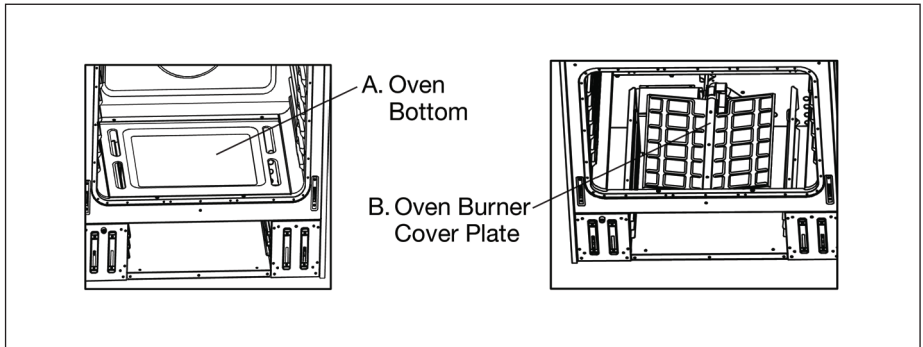
# GAS CONVERSIONS (continued)

## How to Convert the Oven Burner.

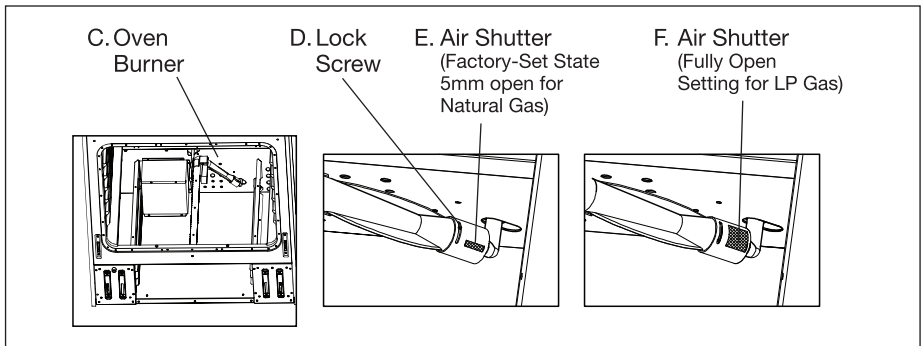
### NATURAL GAS TO LP GAS

The Oven Burner Orifice is located at the rear of the broiler inside.

1. Make sure the power is disconnected from the appliance and the manual gas shutoff valve is in the closed position.
2. Remove the oven bottom (A) by removing 4 screws using a Phillips head screwdriver.
3. Remove the oven burner cover plate (B) by removing 3 screws using a Phillips head screwdriver.

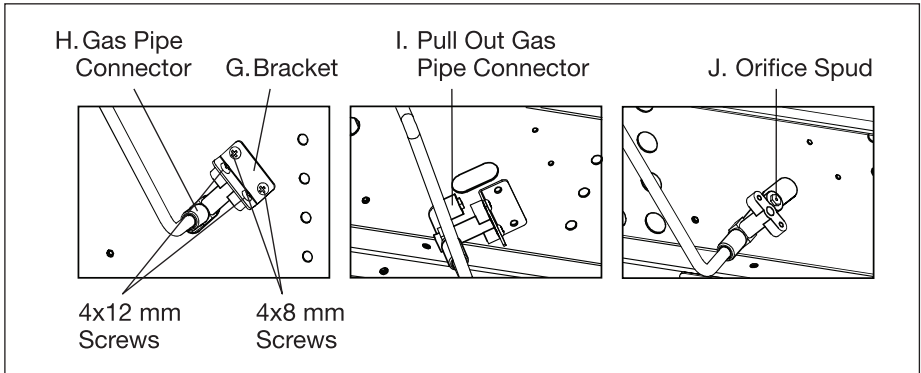


5. With a Phillips head screwdriver, loosen the lock screw (D) securing the air shutter (E) on the oven burner (C). Adjust the air shutter to the fully opened position (F), then re-tighten air shutter lock screw.

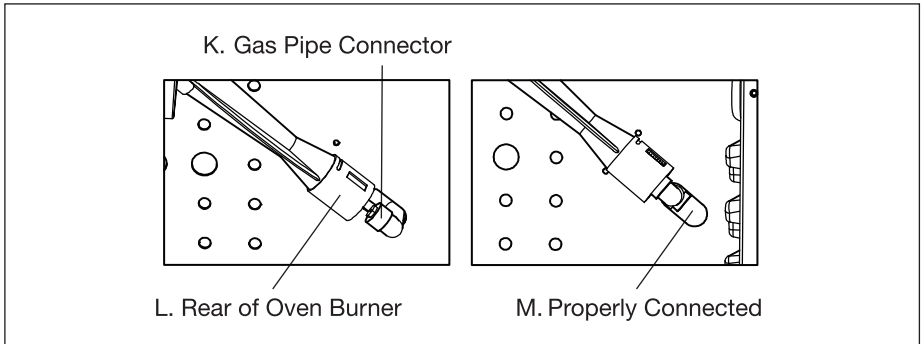


## GAS CONVERSIONS (continued)

6. Remove the bracket (G) of the gas pipe connector (H) on the back of the oven by removing two 4 x 8 mm screws and two 4 x 12 mm screws using a Phillips head screwdriver, and then gently pull out the gas pipe connector (I). Next, replace the natural gas orifice spud (J) with the correct LP gas orifice spud using a 7 mm or 5/16" Hex Sockets (Nut Driver).



7. First, make sure the gas pipe connector (K) and rear of oven burner (L) are properly connected (M), then re-attach the bracket (G).



8. Reinstall the burner cover plate (B) and oven bottom (A).

### NOTE:

Once LP conversion is complete, check the cooktop and oven burner operations in accordance with the instructions on page 14 and adjust the flame in accordance with instructions on page 15. Regulator valve outlet pressure is set at the factory to function according to the specifications of this range and should be adjusted. The factory default setting for the lever on the gas pressure regulator is in the ON position. Make sure this lever is in the ON position for the range to function properly.









## **30" Standard Gas Range Installation Manual**

Element, the Element Logo, and Bring it home are trademarks of Element Brand Holding, LLC. All other trademarks are the property of their respective owner, who has not sponsored, endorsed, or approved this product. ©2024 Element Appliance Company, LLC. All rights reserved.

Distributed by Element Appliance Company, LLC  
Augusta, GA 30909

For service, support and warranty information:  
Call 888.842.3577, email us at  
[customerservice@elementelectronics.com](mailto:customerservice@elementelectronics.com)  
or visit [www.elementelectronics.com](http://www.elementelectronics.com)

**EGR34MCCW/EGR34MCCS/EGR34MCCB**