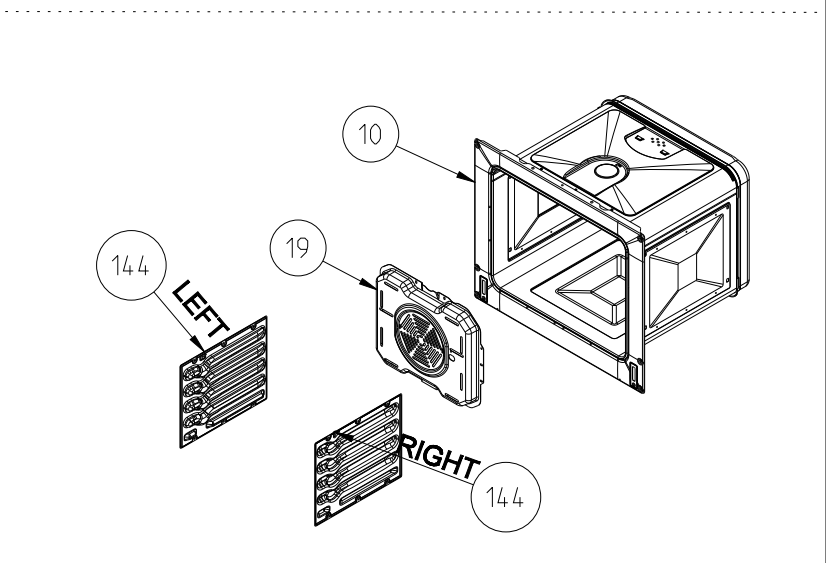
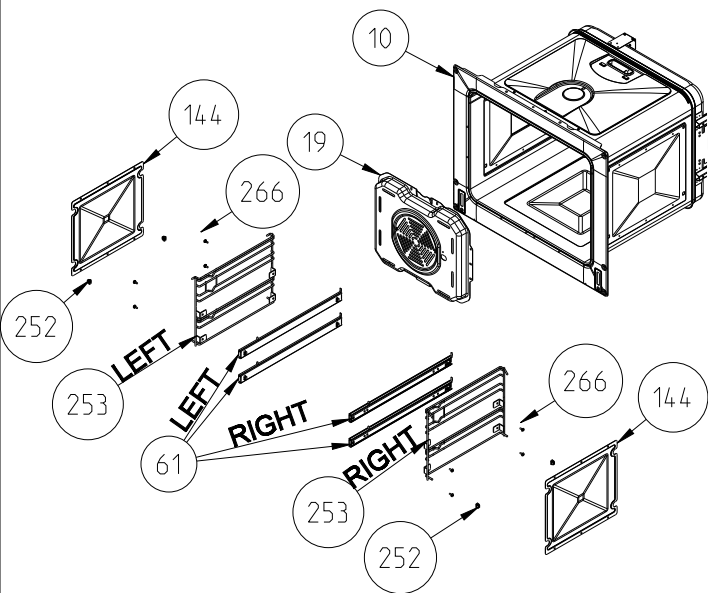


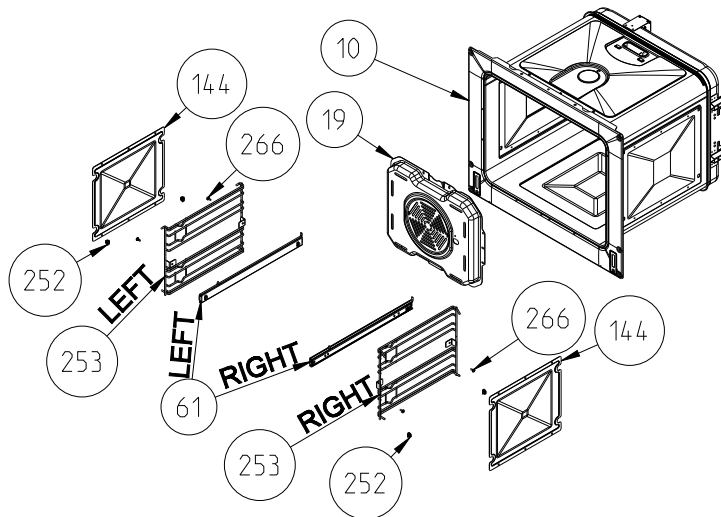
**WIRE SHELF CAVITY ASSEMBLY  
WITH / WITHOUT CATALYTIC PANEL (OPTIONAL)**



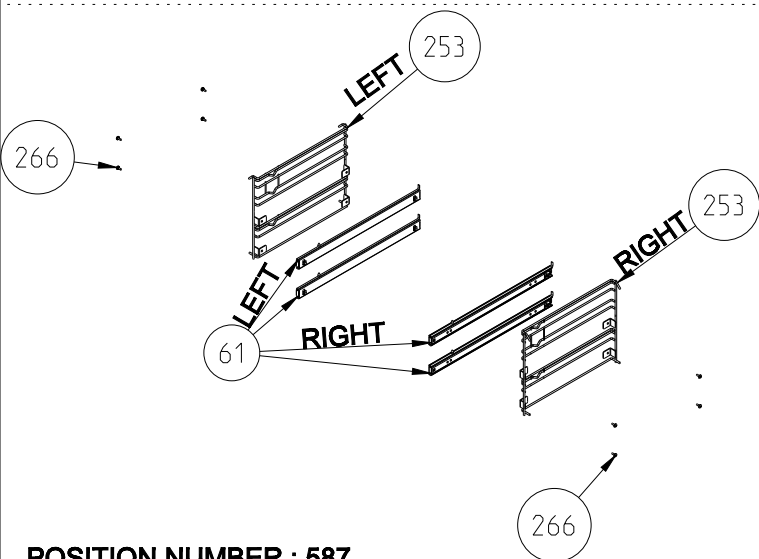
**CAVITY ASSEMBLY WITH CATALYTIC SHELF (OPTIONAL)**



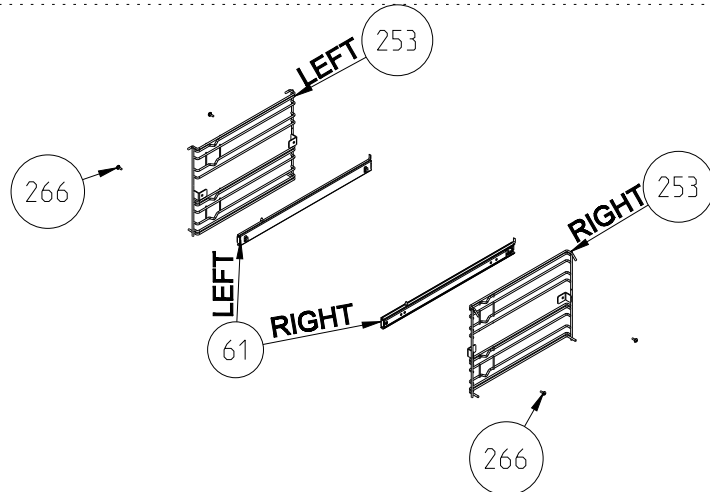
**WIRE SHELF CAVITY ASSEMBLY  
WITH/ WITHOUT CATALYTIC PANEL  
OPTIONAL:DOUBLE TELESCOPIC RAIL (R / L)**



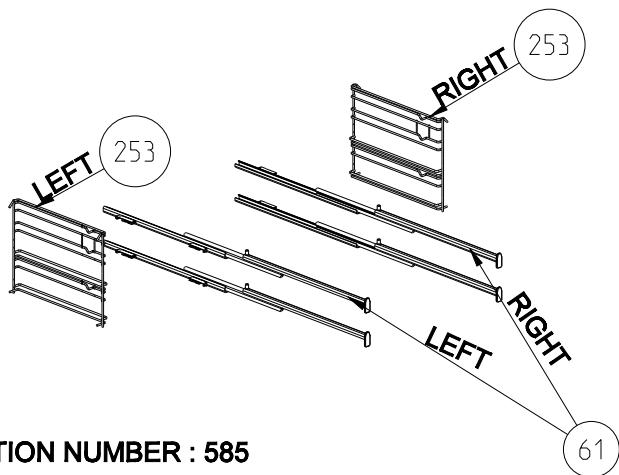
**WIRE SHELF CAVITY ASSEMBLY  
WITH/ WITHOUT CATALYTIC PANEL  
OPTIONAL:TELESCOPIC RAIL (R / L)**



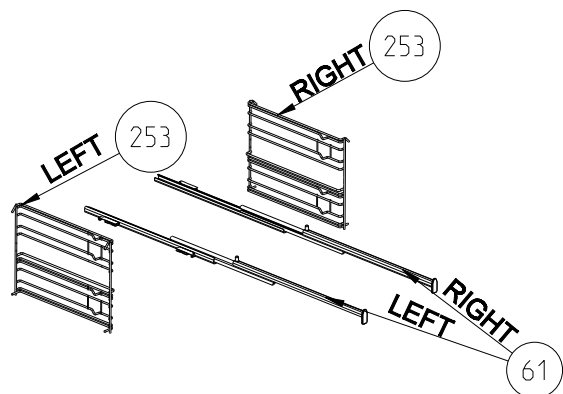
**POSITION NUMBER : 587  
WIRE SHELF (SINGLE EXTENSION)  
OPTIONAL:DOUBLE TELESCOPIC RAIL (R / L) GROUP**



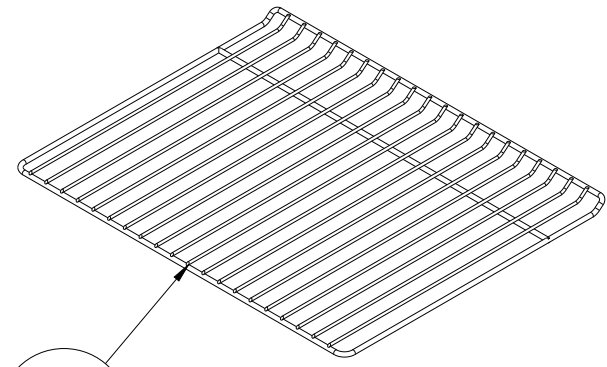
**POSITION NUMBER :588  
WIRE SHELF (SINGLE EXTENSION)  
OPTIONAL: SINGLE TELESCOPIC RAIL (R / L) GROUP**



**POSITION NUMBER : 585  
WIRE SHELF (FULL EXTENSION)  
OPTIONAL:DOUBLE TELESCOPIC RAIL (R / L) GROUP**

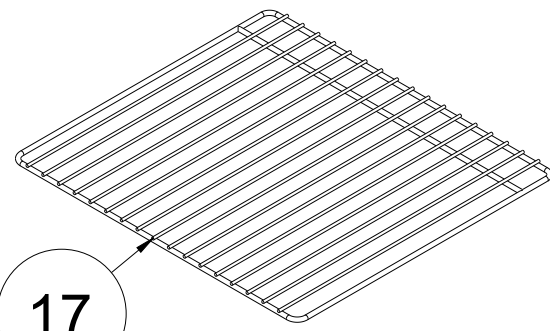


**POSITION NUMBER: 586  
WIRE SHELF (FULL EXTENSION)  
OPTIONAL: SINGLE TELESCOPIC RAIL (R / L) GROUP**



17

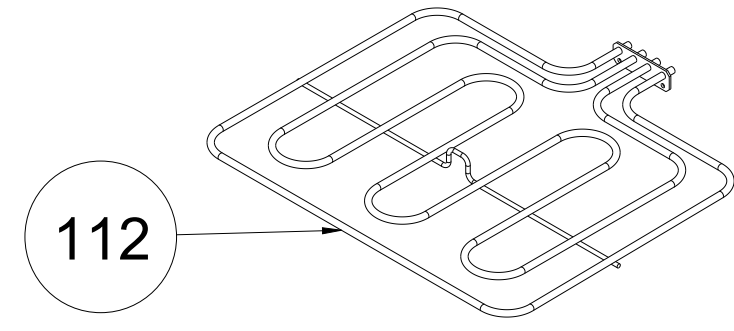
LOCKED



17

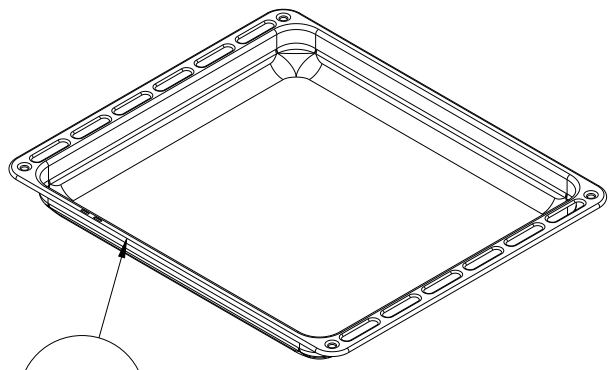
W. TELESCOPIC RAIL

GRID ( OPTIONAL )



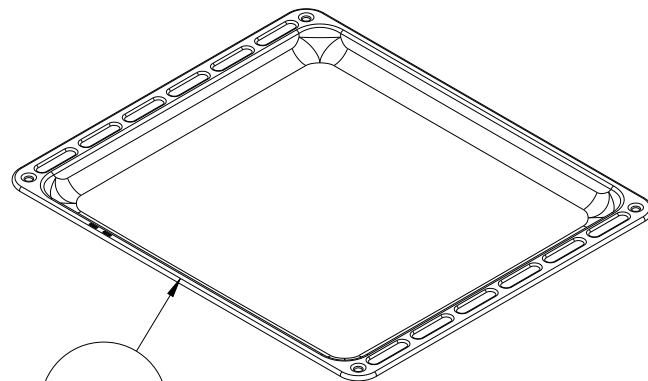
112

TOP AND GRILL HEATING ELEMENT ( OPTIONAL )



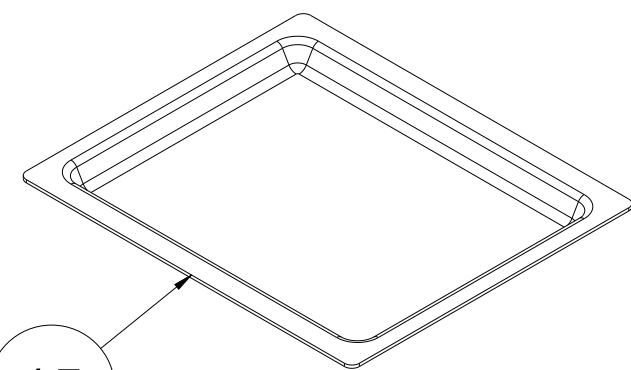
15

DEEP



15

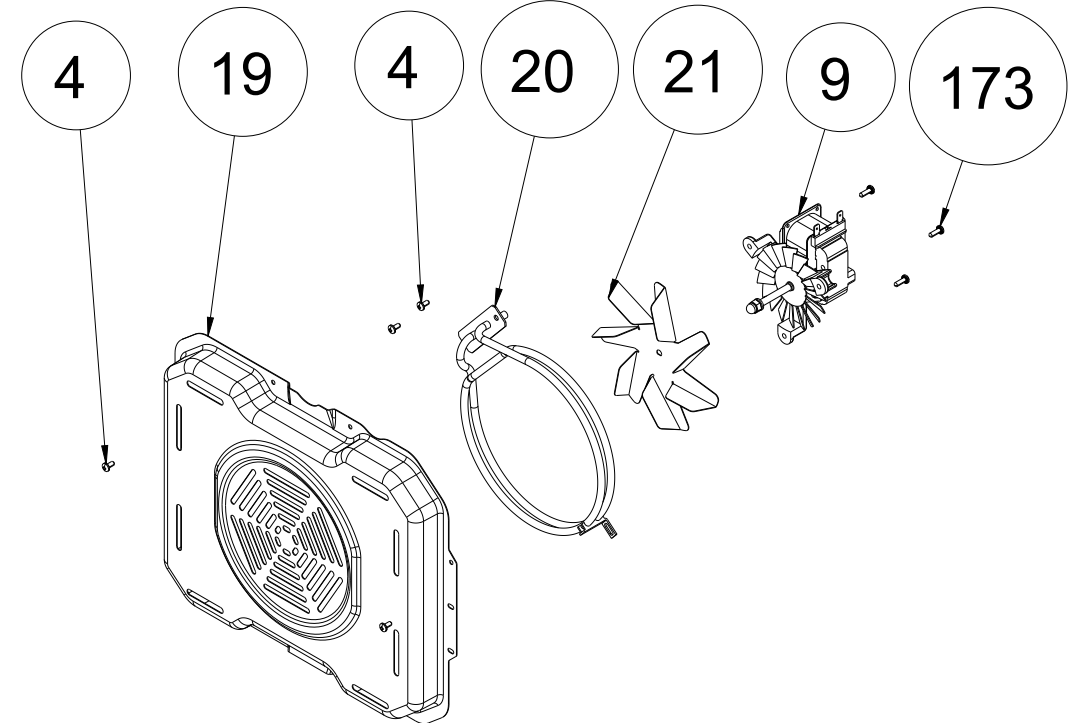
SHALLOW



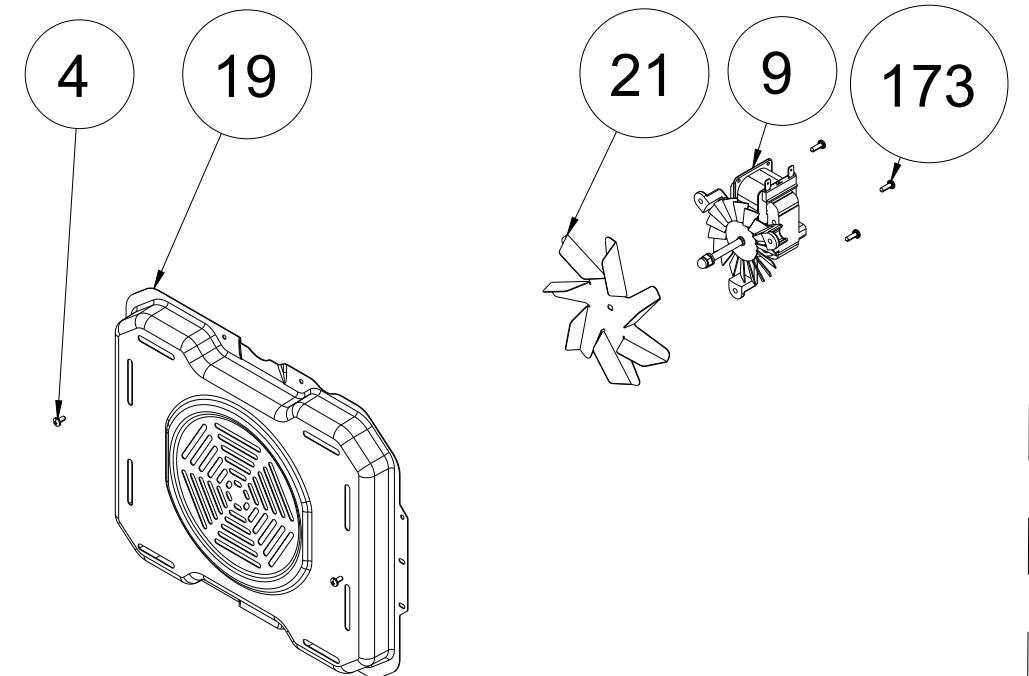
15

GLASS

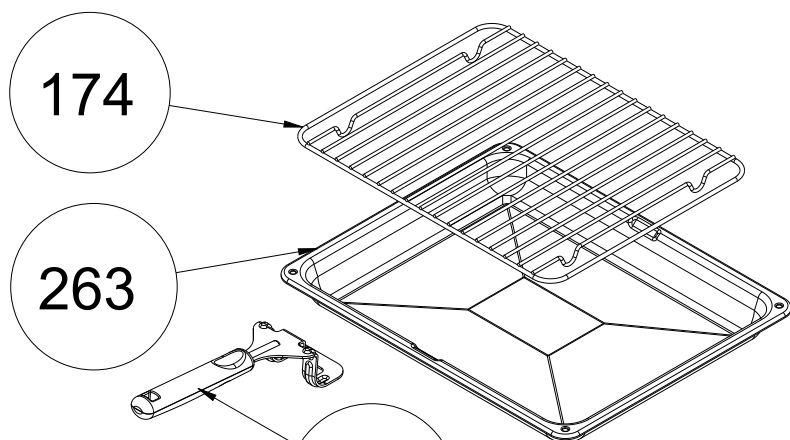
TRAYS ( OPTIONAL )



RING HEATING ELEMENT WITH FAN ( OPTIONAL )



( FAN COVER/ FAN IMPELLER( 6 WINGS ) / FAN MOTOR ) ( OPTIONAL )

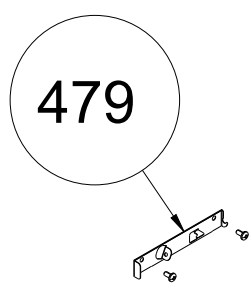


174

263

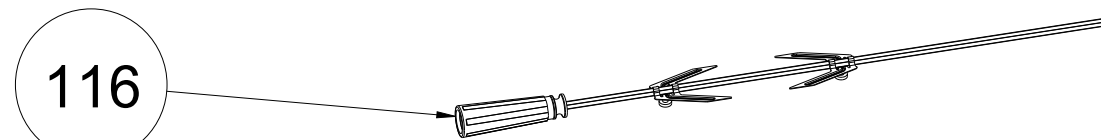
264

GRILL PAN AND HANDLE SET ( TRAY SET FOR GRILL ) - POSITION NO 265 ( OPTIONAL )



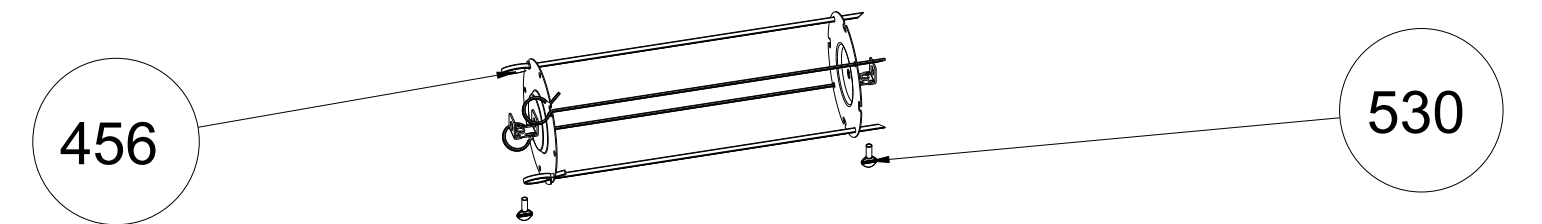
479

THERMIST BULB HOLDER/BACKET



116

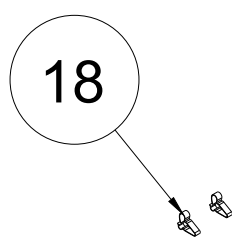
TURNSPIT SKEWER



456

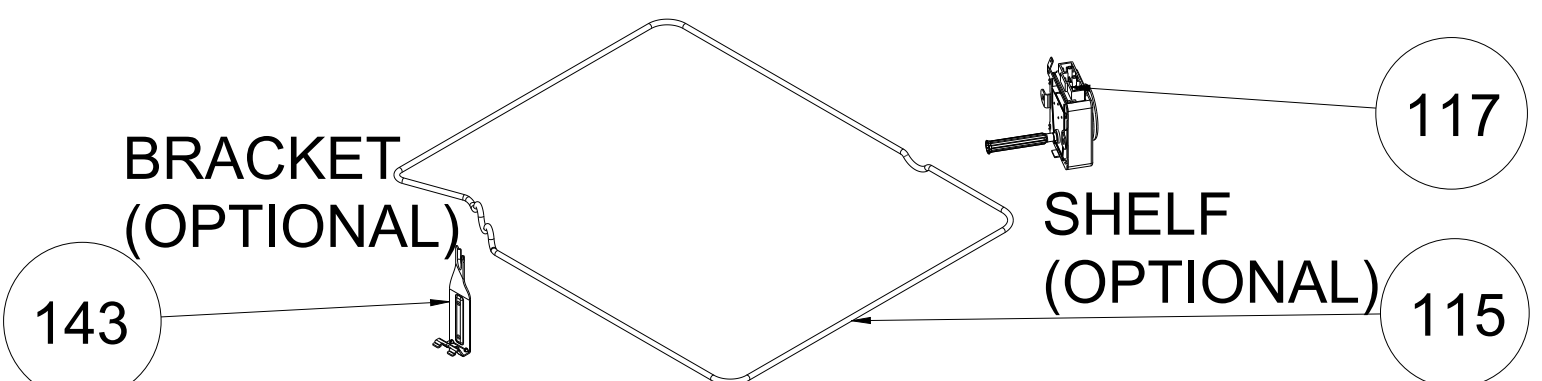
530

SHISH KEBAB ACCESSORY ( OPTIONAL )



18

DEEP TRAY GRID ( OPTIONAL )



BRACKET ( OPTIONAL )

143

SHELF ( OPTIONAL )

117

115

TURNSPIT ( OPTIONAL )

EXPLODED VIEW - CAVITY ASSEMBLY

CAVITY ASSEMBLY PARTS	
POSITION NUMBER	PART NAME
2	OVEN LIGHT
4	SCREW (3.9*9.5)
7	REAR INSULATION COVER
9	FAN MOTIOR
10	CAVITY
12	HINGE COUNTERPART (LEFT / RIGHT)
13	SCREW (M4*8)
14	BOTTOM INSULATION COVER
15	TRAY (DEEP / SHALLOW / GLASS)
16	OVERN DOOR GASKET
17	GRID (LOCKED ,W.TELESCOPIC RAIL)
18	THERMOSTAT BULB BRACKET
19	FAN COVER (NO TRUNSPIT,BLACK)
20	RING TUBULAR HEATING ELEMENT
21	FAN IMPELLER( 6 WINGS)
40	SCREW (KNURLED,3.5*9.5)
61	TELESCOPIC RAIL (RIGHT /LEFT)
71	SCREW (KNURLED,3.9*6.5)
80	SCREW (KNURLED,M4*6)
82	CAPILLARY THERMOSTAT
106	DEEP TRAY GRID
110	BOTTOM HEATING ELEMENT
111	BOTTOM HEATING ELEMENT HOLDER
112	TOP AND GRILL HEATING ELEMENT
114	TOP AND HEATING ELEMENT BULB BRACKET
115	TURNSPIT GRILL
116	TURNSPIT SKEWER
117	TURNSPIT MOTOR
143	TRUNSPIT HOUSE (ONLY CAN BE USED WITH (DEEP/SHALLOW)TRAY)
144	CATALYTIC PANEL WITH WIRE SHELF (ENAMELLED)
	SHELF COVER (RIGHT / LEFT,CATALYTIC ENAMELLED)
173	SCREW (3.9*13)
174	TRAY GRID
252	WIRE SHELF FIXING CLIP
253	WIRE SHELF (RIGHT, LEFT)
263	GRILL PAN
264	GRILL PAN HANDLE
265	TRAY SET(SMALL,BLACK)
266	SCREW (M4*4T, STAINLESS)
328	WASHER (ENAMELLED,BLACK)
448	LIMIT THERMOSTAT NC 170° C / 200° C
454	LIMIT THERMOSTAT NC 125° C
456	SHISH KEBAB ACCESORY
479	THERMOSTAT BULB HOLDER(ELECTRIC)
515	ELECTRONIC THERMOSTAT(ELC)

The exploded views given in this doucment are generic.They include all possible versions of product. For specific part codes,please refer to the bom list of regarding model.

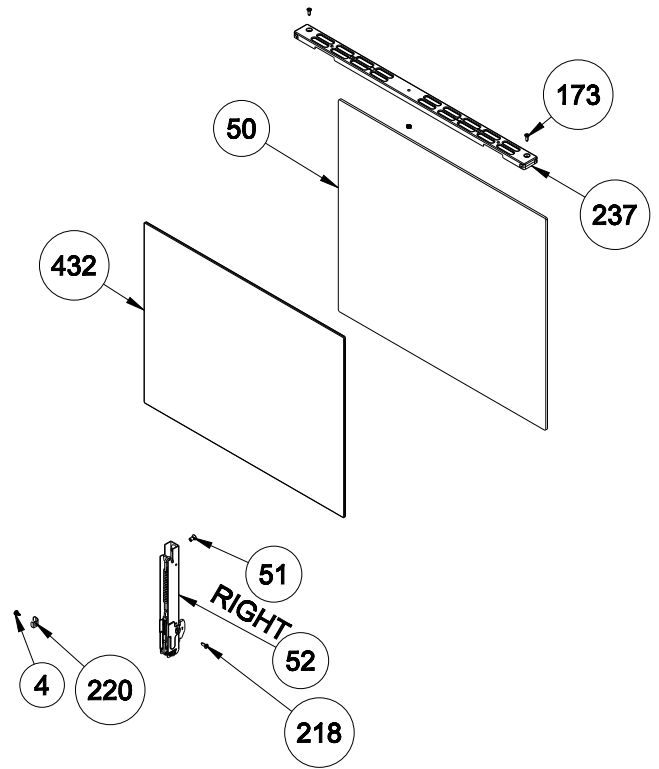
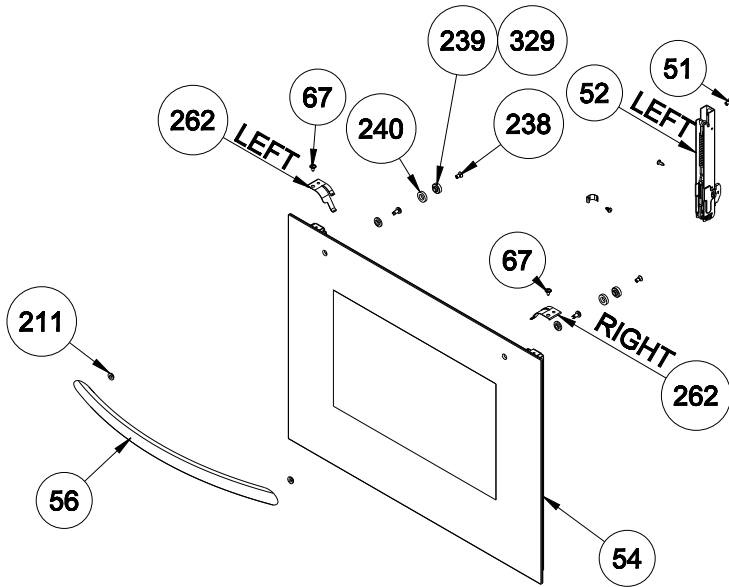
**CAVITY ASSEMBLY PARTS**

<b>POSITION NUMBER</b>	<b>PART NAME</b>
<b>530</b>	<b>EYE SCREW (M5*12,AISI304)</b>
<b>551</b>	<b>OVEN LAMP RESISTOR</b>
<b>585</b>	<b>STRING SHELF GROUP (FULL EXTENSION)</b>
<b>586</b>	<b>STRING SHELF GROUP (FULL EXTENSION)</b>
<b>587</b>	<b>STRING SHELF GROUP (SINGLE EXTENSION)</b>
<b>588</b>	<b>STRING SHELF GROUP ((SINGLE EXTENSION)</b>
<b>608</b>	<b>LIMITER BRACKET WITH SCREWING</b>
<b>618</b>	<b>OVEN LAMP</b>
<b>636</b>	<b>DOUBLE SPEED FAN MOTOR FR34R423399955</b>
<b>637</b>	<b>A PLUS CARD HOLDER PLASTIC</b>

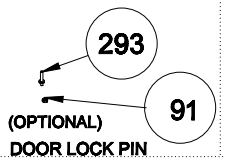
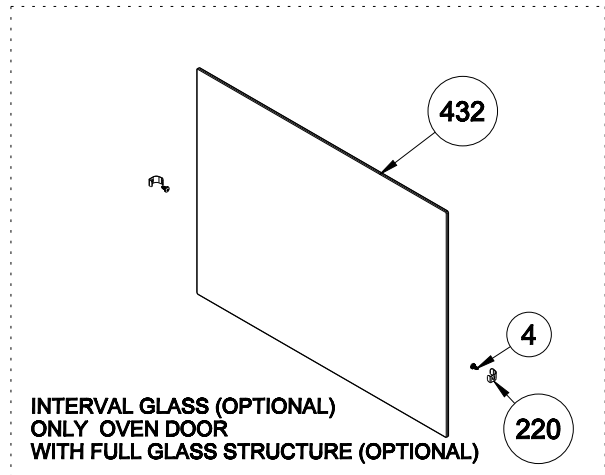
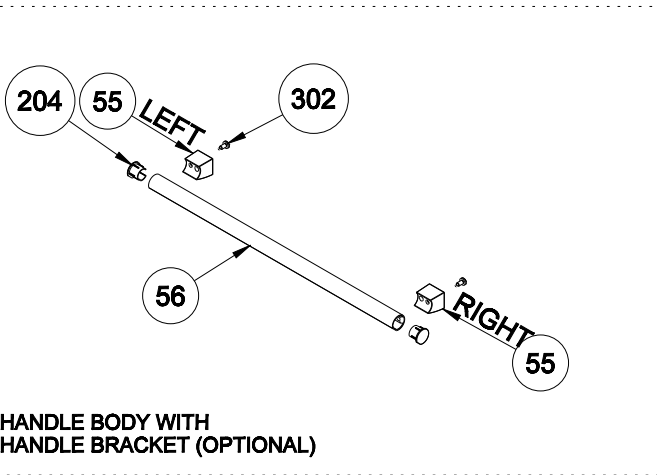
The exploded views given in this document are generic.They include all possible versions of the product.  
For specific part codes,please refer to the bom list of regarding model.

# OVEN DOOR ASSEMBLY EXPLODED VIEW (OPTIONAL)

POSITION  
NUMBER :377  
(DOOR)

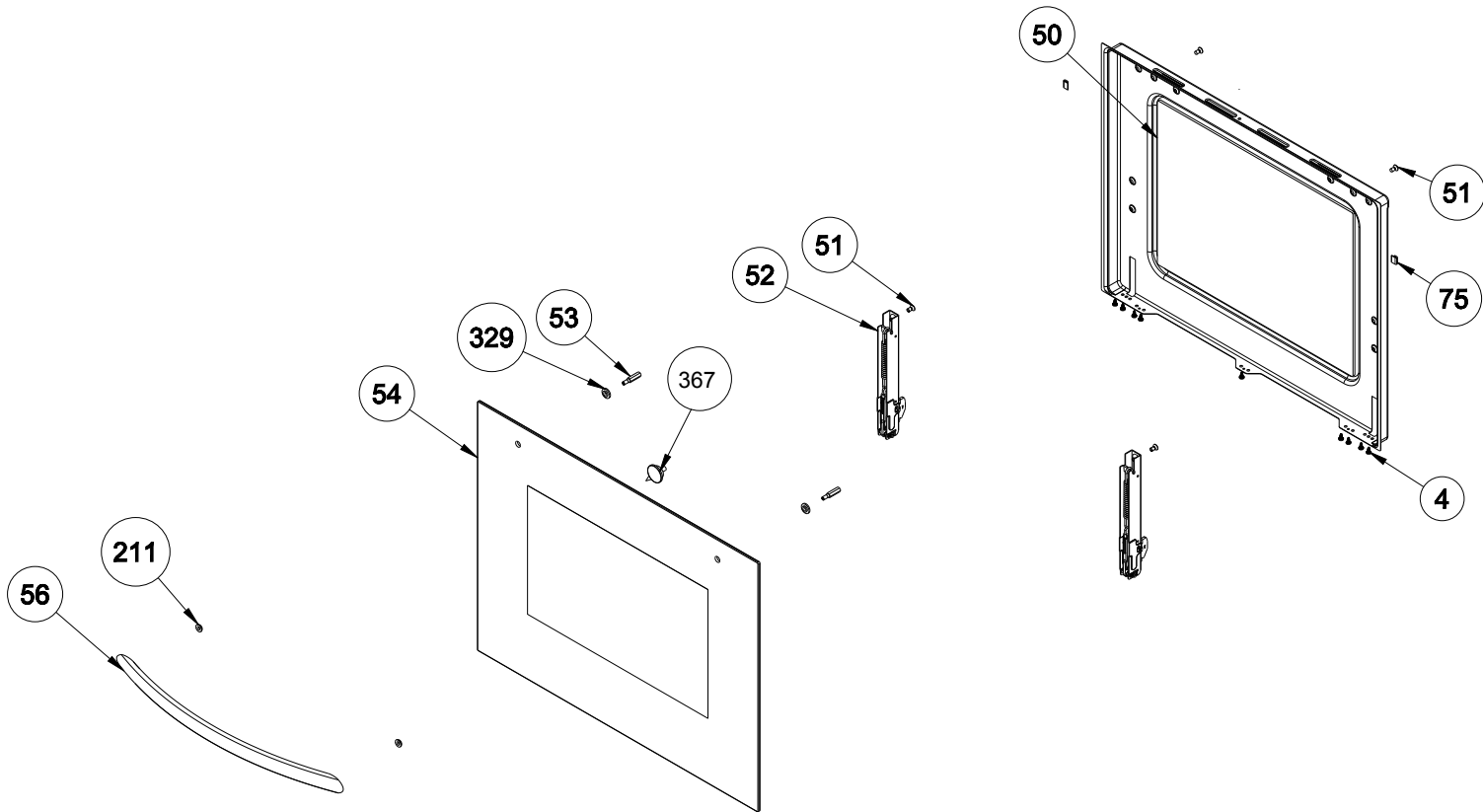


Note :  
220,239,240,432 is for Removable Third Glass Versions  
262,67 is for Removable Glass Versions



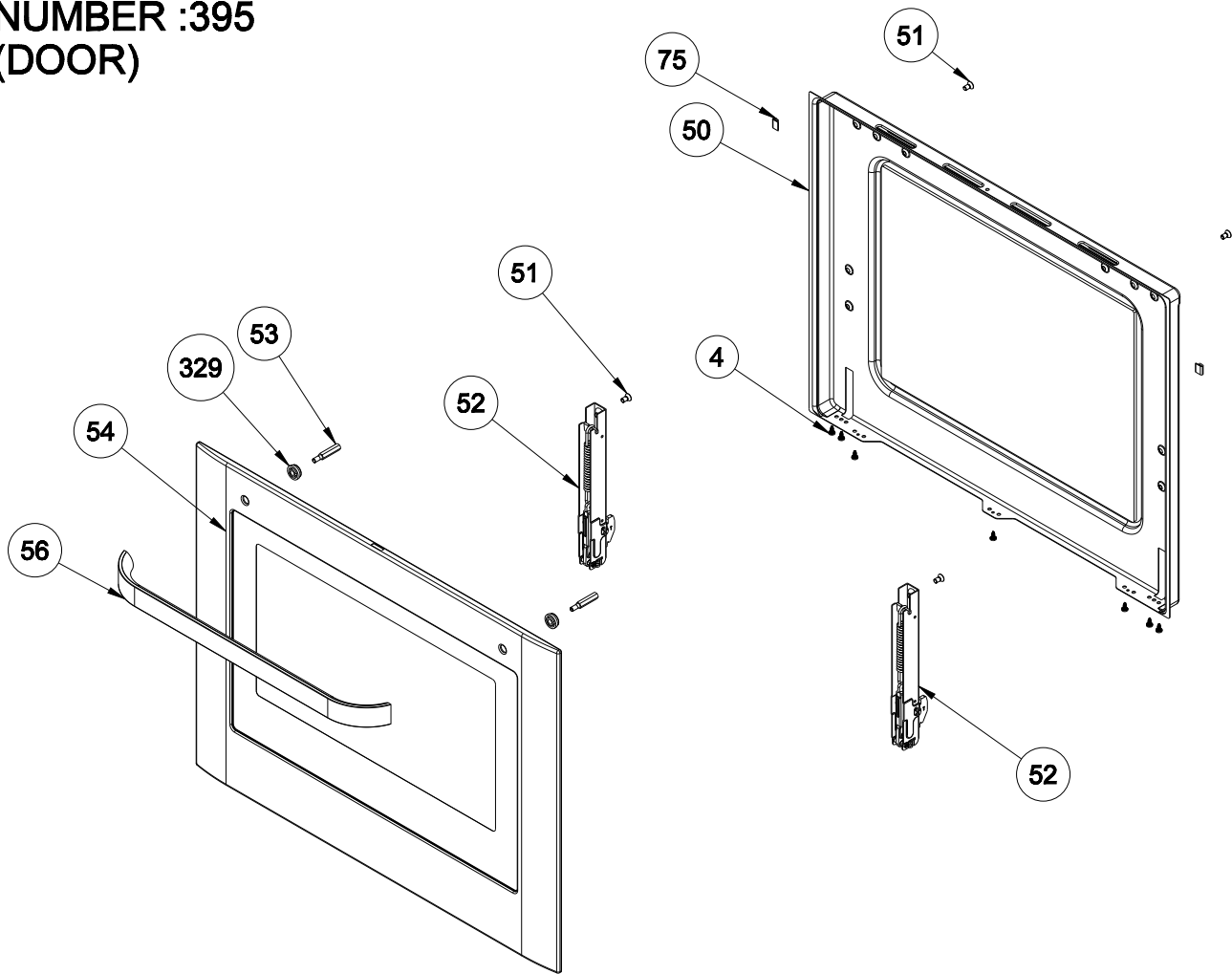
SOLID TYPE OVEN DOOR ASSEMBLY EXPLODED VIEW  
(FRONT VIEW OF GLASS)  
(OPTIONAL)

POSITION  
NUMBER :376  
(DOOR)

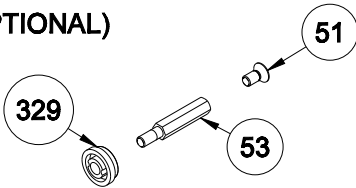


**SOLID TYPE OVEN DOOR ASSEMBLY EXPLODED VIEW  
(FRONT VIEW OF METAL WITH GLASS ) (OPTIONAL)**

**POSITION  
NUMBER :395  
(DOOR)**

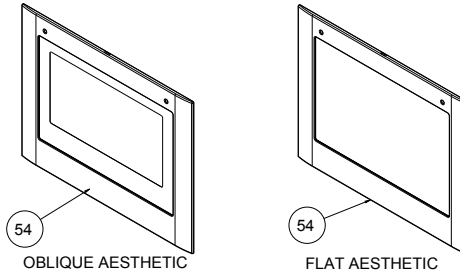


(OPTIONAL)



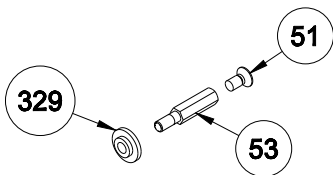
**TYPE 1**

**HANDLE ASSEMBLY GROUP  
POSITION NUMBER : 49  
(OPTIONAL)**



**SOLID TYPE - POSITION NO 54 (OPTIONAL)**

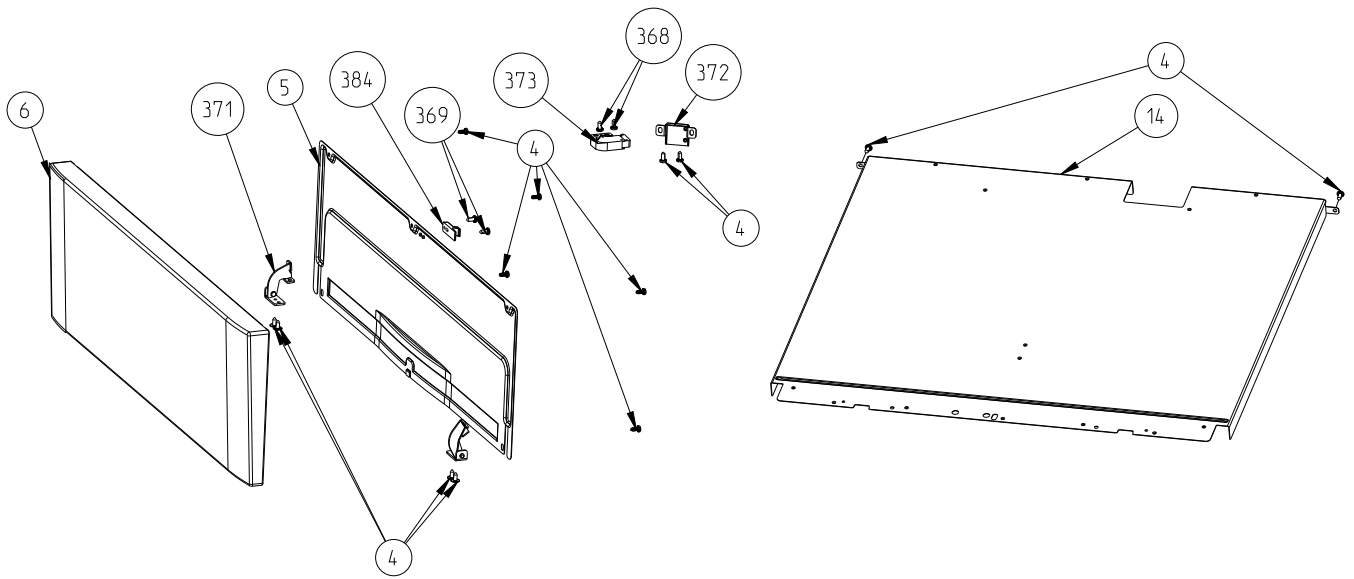
(OPTIONAL)



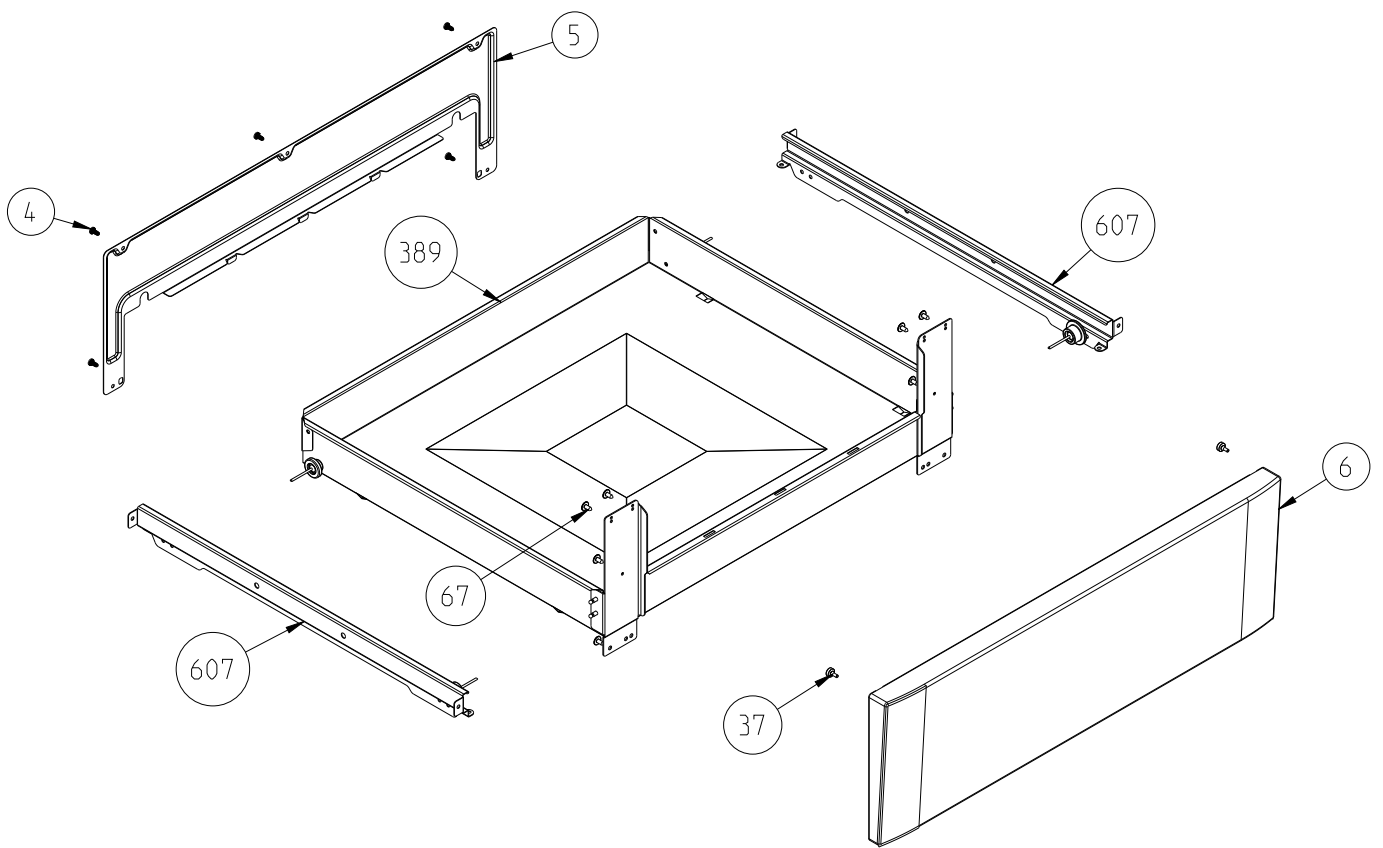
**TYPE 2**

**HANDLE ASSEMBLY GROUP  
POSITION NUMBER : 49  
(OPTIONAL)**

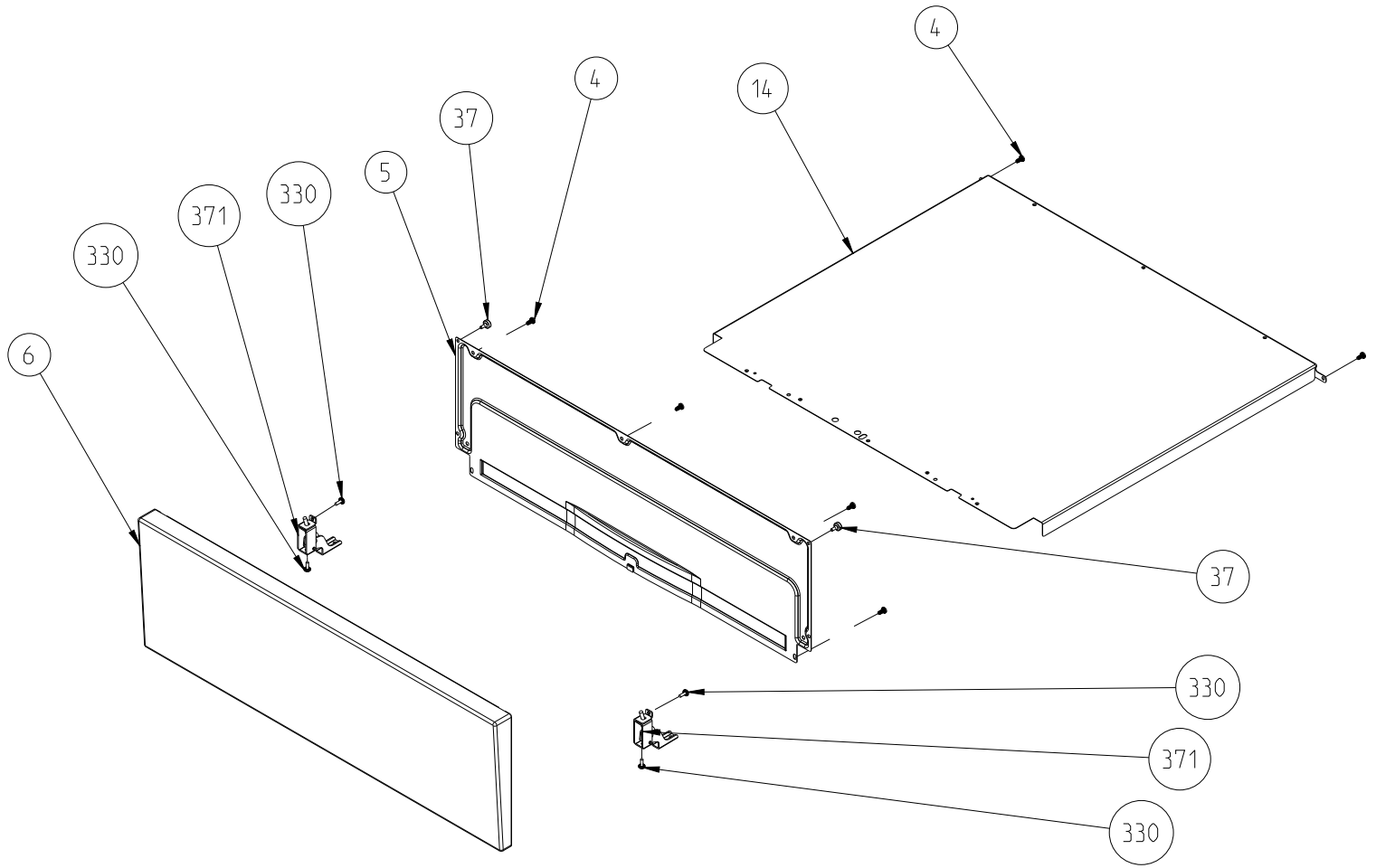
<b>DOOR ASSEMBLY SPARE PART LIST</b>	
<b>POSITION NUMBER</b>	<b>PART NAME</b>
4	SCREW (KNURLED, 3.9*9.5)
49	HANDLE ASSEMBLY GROUP
50	INNER GLASS ASSEMBLY
51	SCREW (COUNTERSUNK-HEAD, M5*10, BLACK)
52	OVEN DOOR HINGE
54	OUTER GLASS ASSEMBLY
55	HANDLE BRACKET (LEFT-RIGHT)
56	HANDLE BODY
67	SCREW (3.9*9.5, SLIM HEAD)
75	OVEN DOOR SILICONE STOPER
91	NUT (M4)
173	SCREW (COUNTERSUNK-HEAD, 3.9*13)
204	HANDLE TAP (RIGHT-LEFT)
211	HANDLE ASSEMBLY GASKET
218	SCREW (COUNTERSUNK-HEAD,3.9*7.5,BLUNT,BLK)
220	INTERVAL FRONT PANEL SPRING
237	DOUBLE GLAZED OVN DOOR MTLTRIM(NEWG66)
238	SCREW (COUNTERSUNK-HEAD, M5*18, BLACK)
239	HANDLE FIXING BUSH
240	SILICONE WASHER
262	REMOVABLE INNER GLASS SPRING (LEFT / RIGHT)
293	DOOR LOCK PIN
302	SCREW (COUNTERSUNK-HEAD,3.9*7.5,BLUNT,BLK)
329	GRADUAL WASHER
367	THERMOMETER GR(WITH POINTER,150C / GP)
376	SOLID TYPE OVEN DOOR ASSEMBLY(FRONT VIEW OF GLASS)
377	OVEN DOOR ASSEMBLY GROUP
395	SOLID TYPE OVEN DOOR ASSEMBLY (FRONT VIEW OF METAL WITH GLASS )
432	FLAT PROF. DOOR INTERVAL GLASS
<p>The exploded views given in this document are generic.They include all possible versions of product.For specific part codes ,please refer to the bom list of regarding model.</p>	



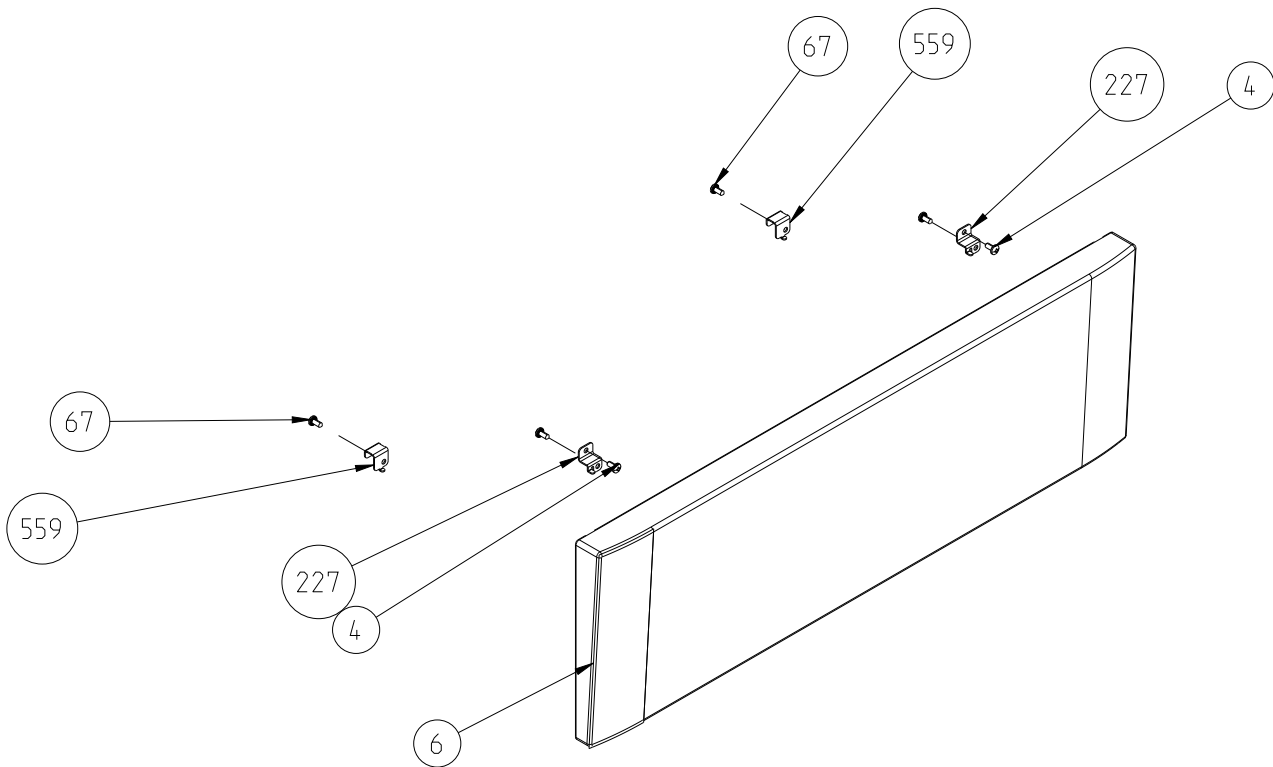
**PUSH PULL FLAP DRAWER ASSEMBLY (OPTIONAL)**



**4WG DRAWER ASSEMBLY (OPTIONAL)**



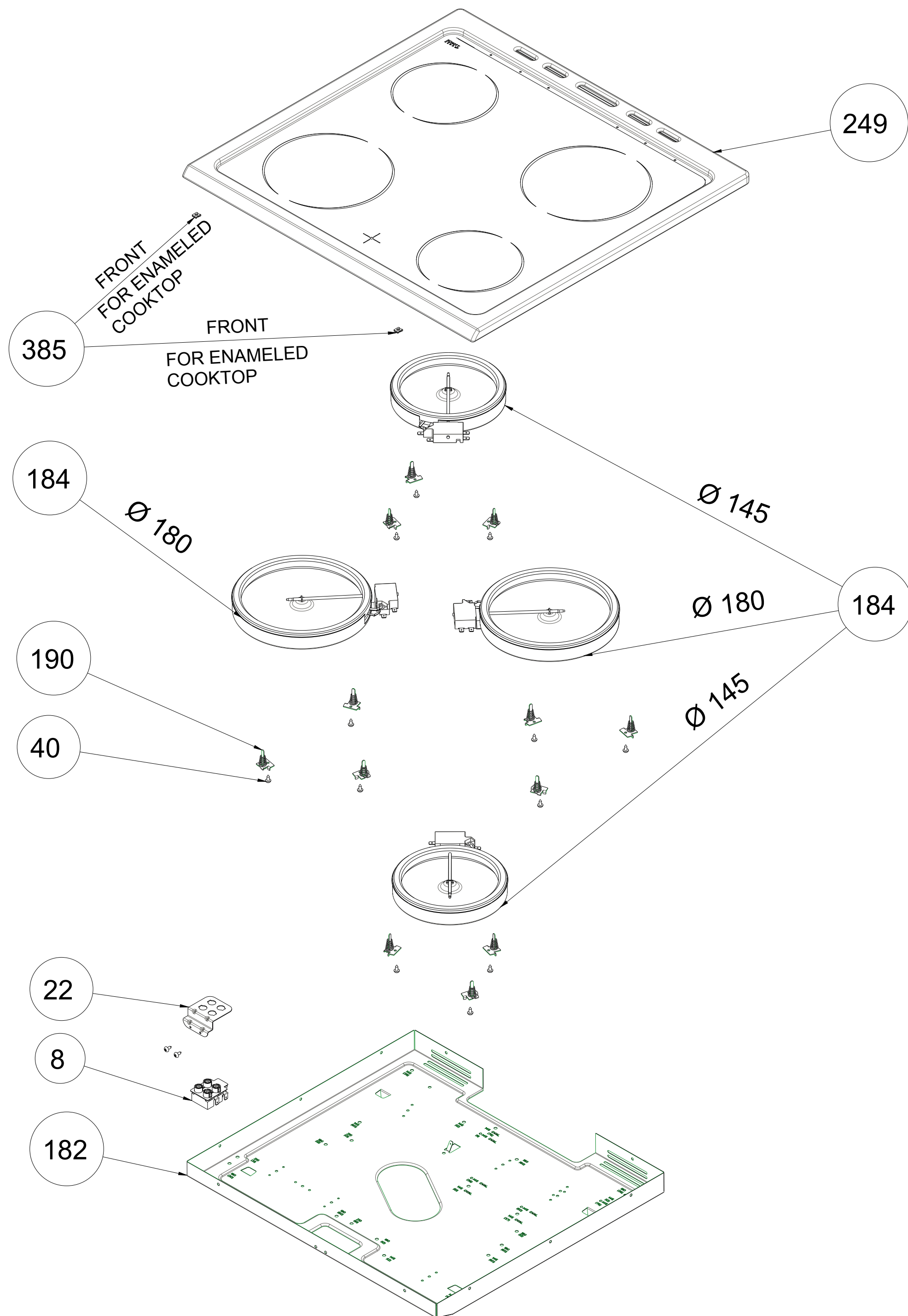
**YNTB FLAP DRAWER ASSEMBLY**



**FIXED DRAWER ASSEMBLY  
(OPTIONAL)**

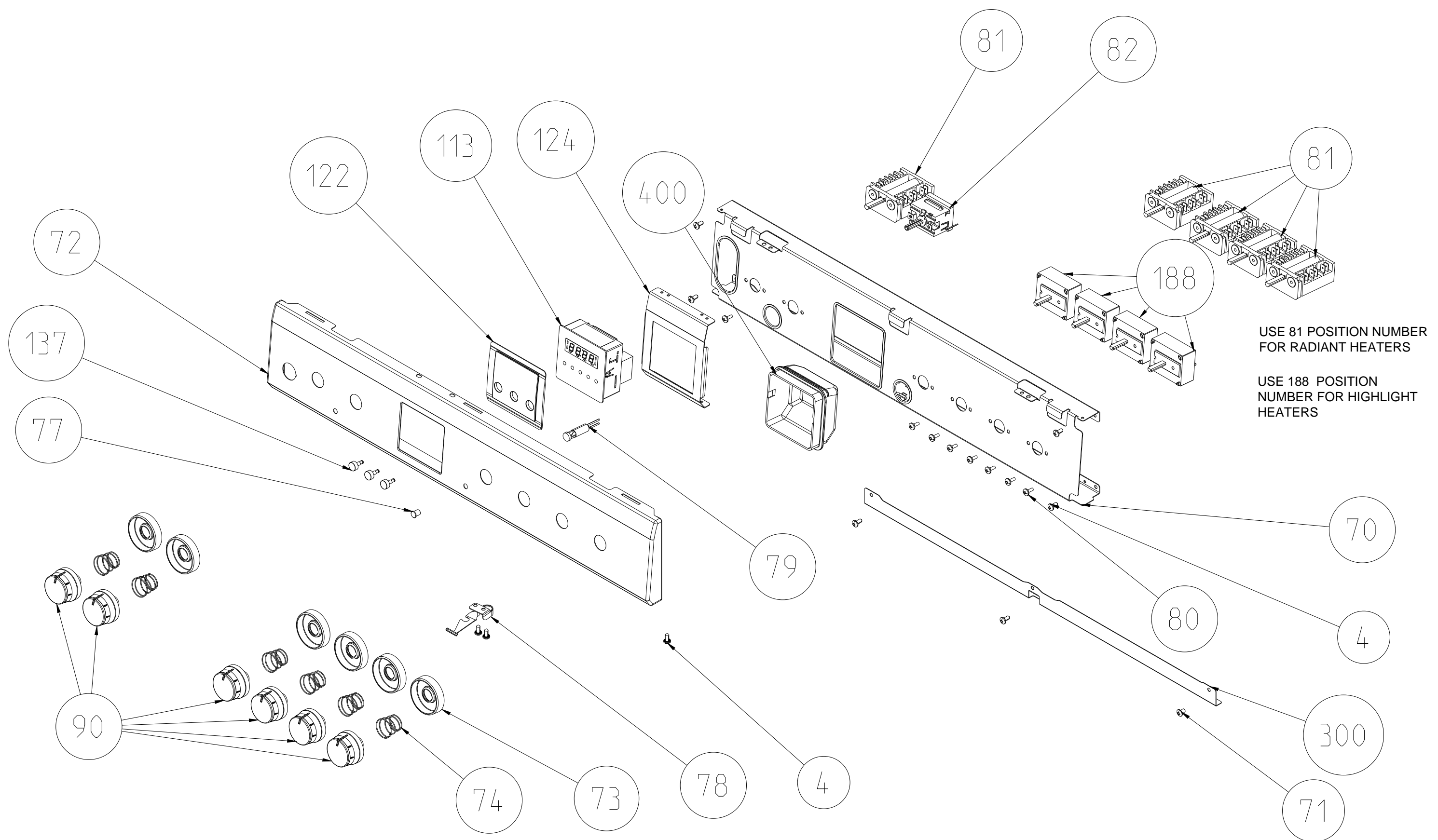
<b>POSITION NUMBER</b>	<b>DESCRIPTION</b>
3	WARMER DRAWER RAIL WHEEL
4	SCREW (CIRCULAR-HEAD, 3.9*9.5, BLACK)
5	WARMER DRAWER INNER COVER
6	WARMER DRAWER PANEL (60*60,3D)
14	BOTTOM INSULATION COVER (60*60)
37	DRAWER PANEL STOPPER
67	CHASSIS BRACKET CONTACT SCREW
227	FIXED DRAWER PANEL TOP BRACKET
330	SCREW (KNURLED,M4*4)
368	SCREW (KNURLED, 2.9*18)
369	SCREW (KNURLED, 2.9*8,BLACK)
371	FLAP DRAWER (HINGE / LEFT)
372	FLAP DRAWER LOCKING BRACKET
373	FLAP DRAWER LOCKING (MINI LATCH)
384	FLAP DRAWER LOCKING COUNTERPART(MINI LATCH)
389	DRAWER BOX
559	FIXED DRAWER PANEL BOTTOM BRACKET(NEW G)
607	4WG DRAWER RAILGROUP

"The exploded views given in this document are generic.They include all possible versions of the product. For specific part codes, please refer to the bom list of regarding model."



COOKTOP ASSEMBLY PARTS	
POSITION NUMBER	PART NAME
4	SCREW (3.9*9.5)
8	HOT SURFACE INDICATOR LIGHT
22	HOT SURFACE INDICATOR LIGHT HOLDER
40	SCREW (3.5*9.5)
182	VITROCERAMIC HOB BOTTOM COVER
184	HIGHLIGHT HEATING
190	HIGHLIGHT HEATING FIXING BRACKET ASSEMBLY
249	CERAMIC GLASS ASSEMBLY
385	COOKTOP FIXING CLIP (FOR METAL LID MODELS& FOR MODELS W/O LID - AT BACK, FOR ALL ENAMELED MODEL-AT FRONT)

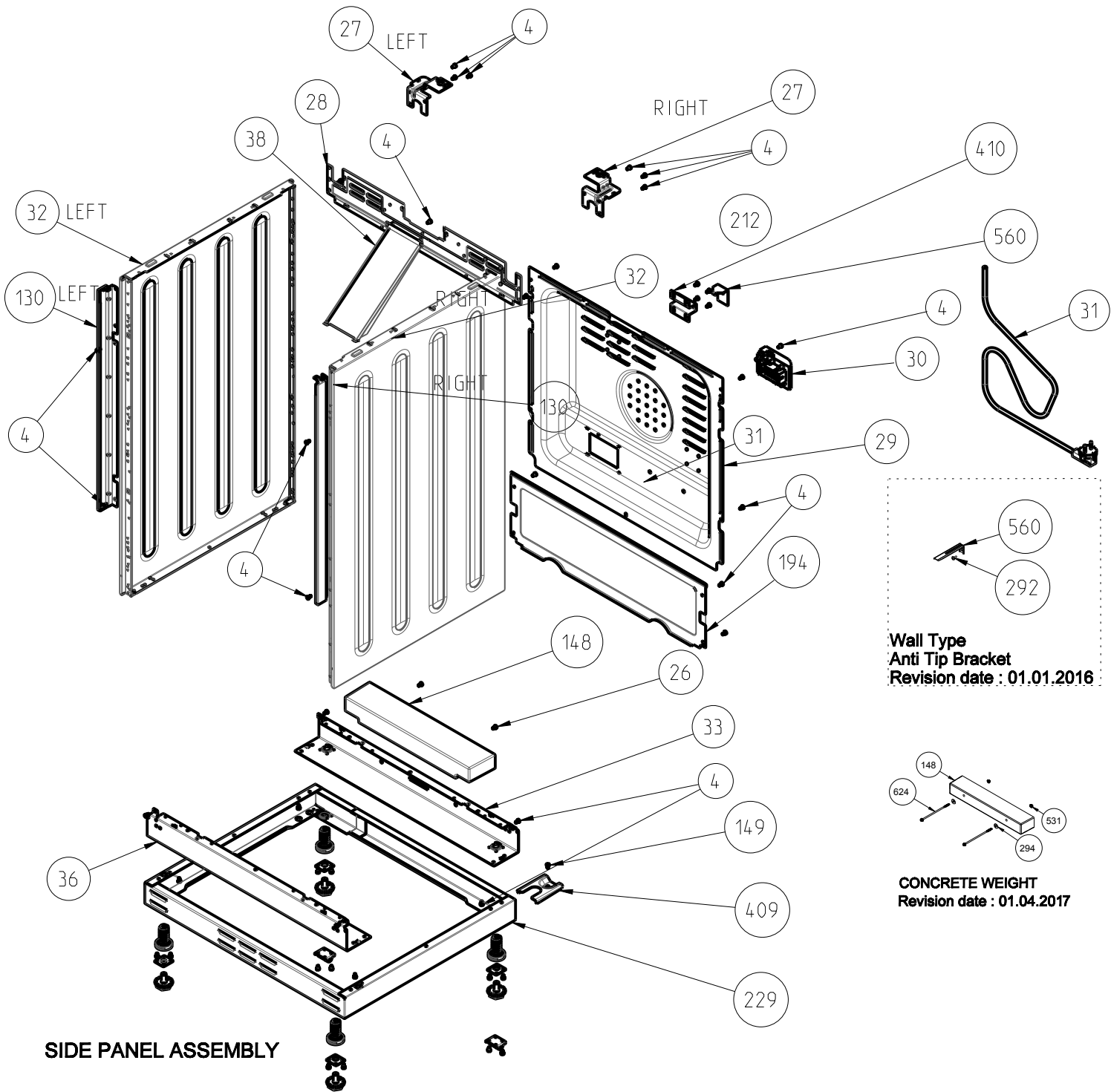
"The exploded views given in this document are generic. They include all possible versions of the product. For specific part codes, please refer to the bom list of regarding model."



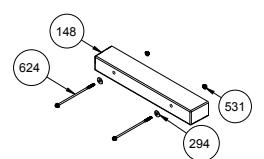
### CONTROL PANEL ASSEMBLY

POSITION NUMBER	PART NAME
4	SCREW (3.9*9.5)
70	INNER PANEL
71	SCREW (KNURLED, 3.9*6.5)
72	FRONT PANEL GROP (GLASS / METAL)
73	KNOB RING
74	KNOB SPRING
77	SIGNAL LAMP LENS
78	CHILD LOCK
79	SIGNAL LAMP BODY
80	SCREW (M4*6)
81	FUNCTION SELECTOR SWITCH / HOTPLATE SWITCH
82	CAPILLARY THERMOSTAT
90	KNOB - ELECTRICAL
113	TIMER (MECHANIC / DIGITAL / ANALOG)
122	TIMER LENS
124	TIMER HOLDER (DIGITAL / ANALOG)
137	TIMER BUTTON
188	ENERGY REGULATOR
300	KNIFE BARRIER
400	DIJITAL TIMER COVER PLASTIC(NEW GEN)

"The exploded views given in this document are generic. They include all possible versions of the product. For specific part codes, please refer to the bom list of regarding model."

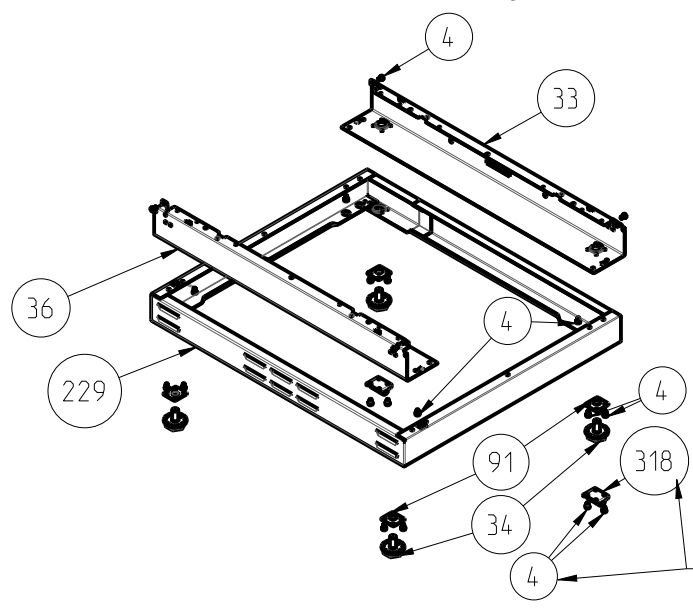


Wall Type  
Anti Tip Bracket  
Revision date : 01.01.2016



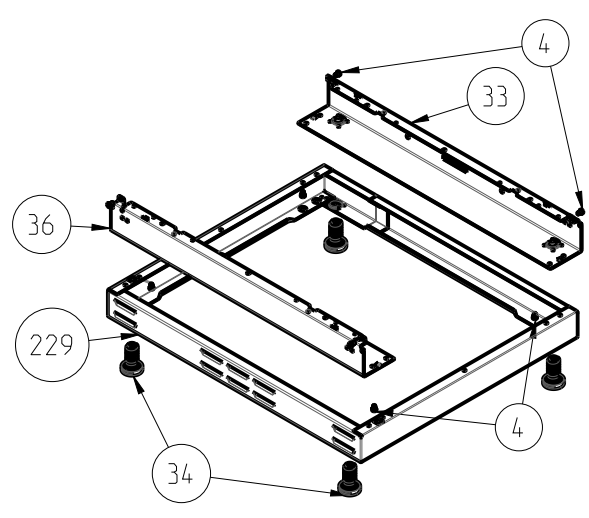
CONCRETE WEIGHT  
Revision date : 01.04.2017

**SIDE PANEL ASSEMBLY**

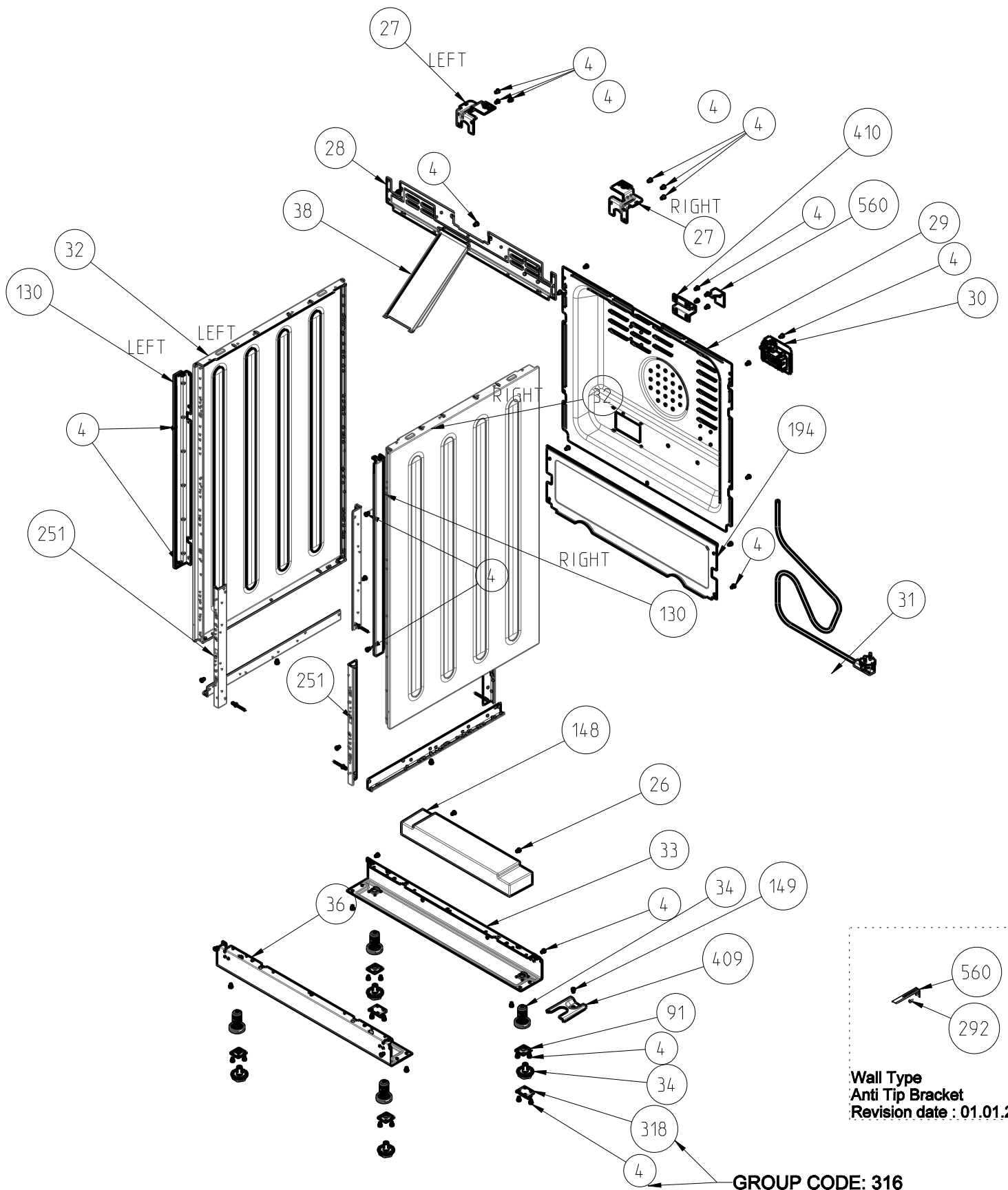


**METAL BOLT ADJUSTABLE LEG**

GROUP CODE: 316

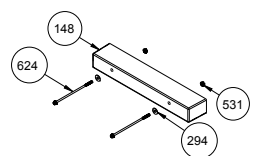


**STANDARD PLASTIC ADJUSTABLE LEG**



**YNTB 85 CM SIDE PANEL ASSEMBLY**

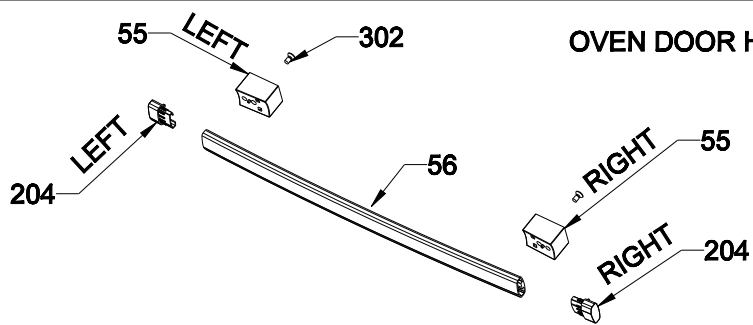
Wall Type  
Anti Tip Bracket  
Revision date : 01.01.2016



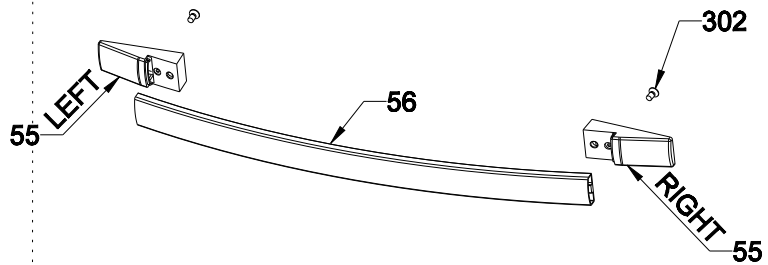
**CONCRETE WEIGHT**  
Revision date : 01.04.2017

POSITION NUMBER	PART NAME
4	SCREW(CONEHEADED,3.9x9.5 )
26	SCREW (CIRCULAR-HEAD,4.2*32)
27	CHASSIS BRACKET
28	REAR TOP PANEL
29	REAR PANEL
30	TERMINAL BOX -16A - 400V
31	POWER CORD
32	SIDE PANEL
33	REAR PLINTH
34	ADJUSTABLE FEET
36	FRONT PLINTH
38	EXHAUST BODY
91	ADJUSTABLE FEET NUT (FIXED)
130	SIDE CLOSING PROFILE
148	CONCRETE WEIGHT
149	SCREW (CIRCULAR-HEAD, 4.8*32)
194	REAR BOTTOM LID
229	EXTRA BOTTOM SUPPORT
251	SIDE PANEL SUPPORT BRACKET
292	SCREW(CIRCULAR-HEAD, 3.9*32)
294	WASHER
316	WHEEL ASSEMBLY
318	WHEEL (FREESTANDING COOKER)
409	ANTI-TIP BRACKET (GROUND TYPE)
410	ANTI-TIP BRACKET HOLDER
531	FLANGED NUT
560	ANTI-TIP BRACKET (WALL TYPE)
624	BOLT ,AKB,M5X77,AA8,A3K
<p>"The exploded views given in this document are generic.They include all possible verisons of the product.For spesific part codes,please refer to the bom list of regarding model.</p>	

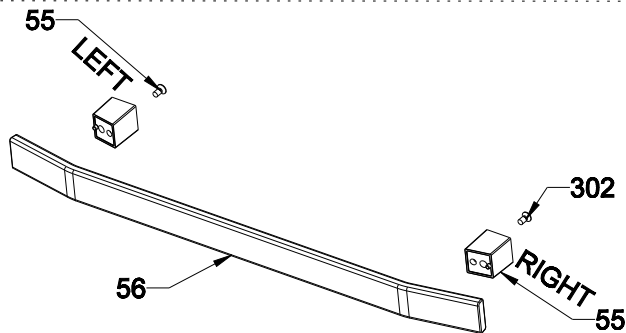
OVEN DOOR HANDLES (OPTIONAL)



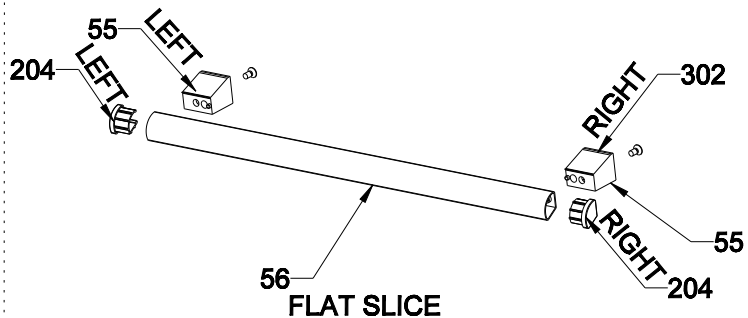
CURVED QUADRANGLE



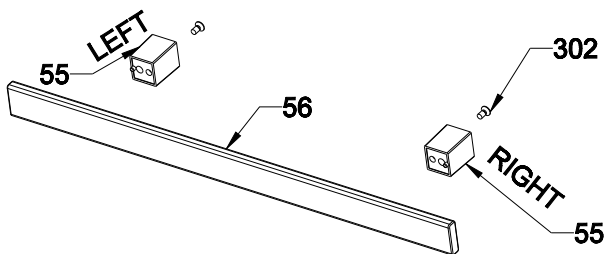
ARC QUADRANGLE



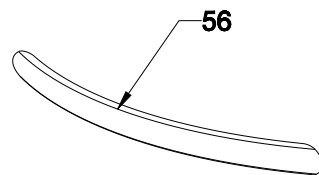
3D QUADRANGLE



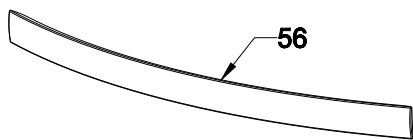
FLAT SLICE



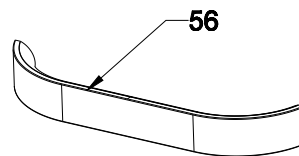
FLAT QUADRANGLE



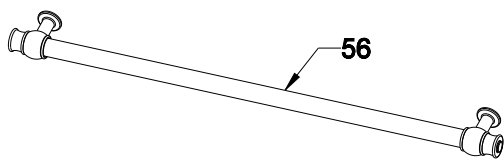
ELLIPSE ARC



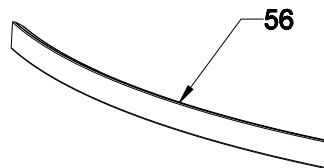
D PROFILE ARC, ELECTROLUX



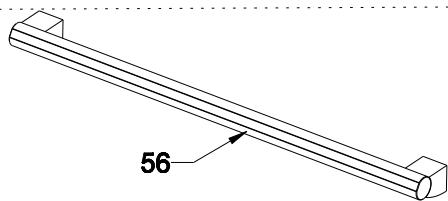
BOW



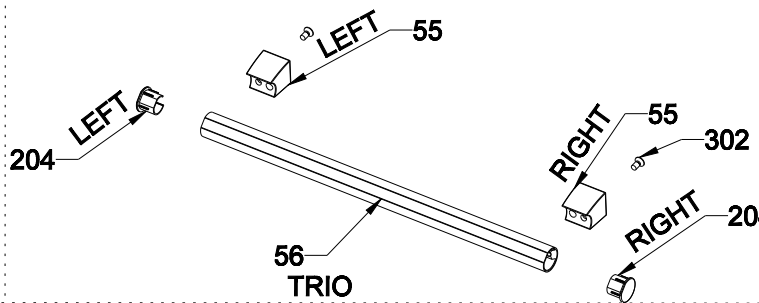
RUSTIK RISUS



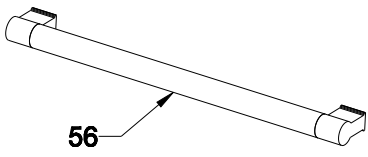
D PROFILE ARC



METALUX

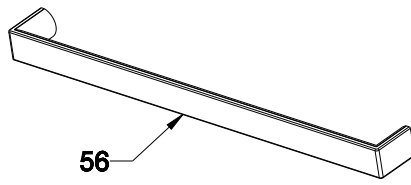


TRIO



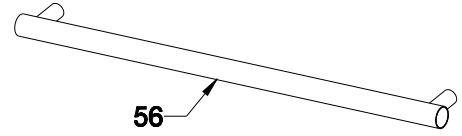
56

TROY



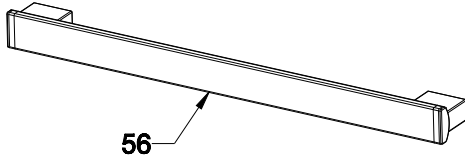
56

VERO



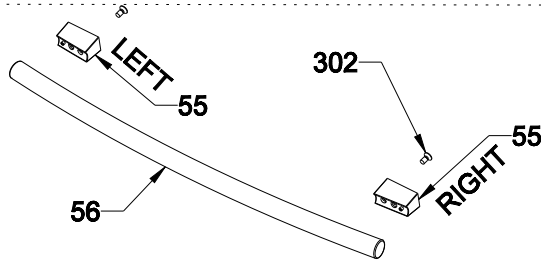
56

CYLINDER



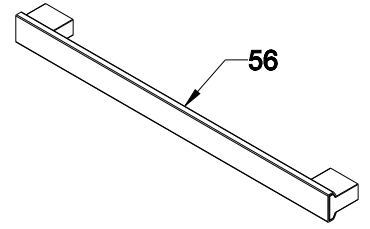
56

JUNO VESTEL ONLY



56

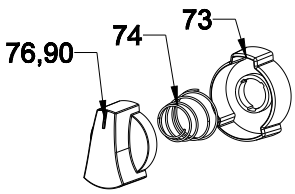
ARC TUBE



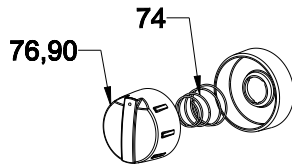
56

TITAN VESTEL & SHARP ONLY

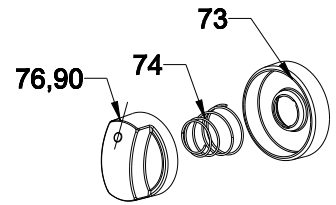
**KNOBS ( NEW FREESTANDING OVEN ONLY - OPTIONAL )**



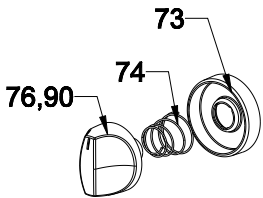
**DELTA RING**



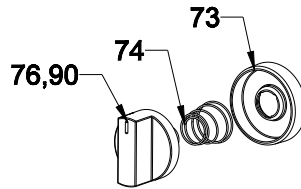
**ANTERO**



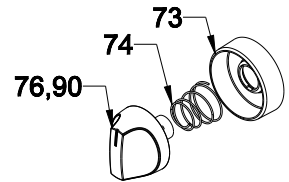
**ECLIPSE RING**



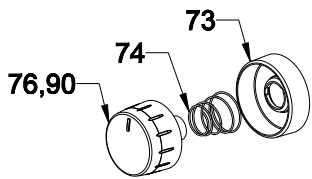
**GAMA RING**



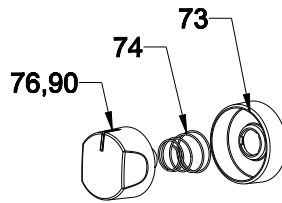
**NORD RING**



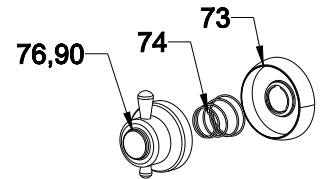
**PELGIRIM**



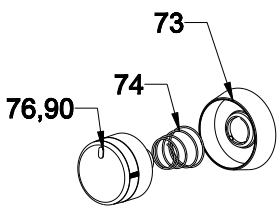
**OMEGA**



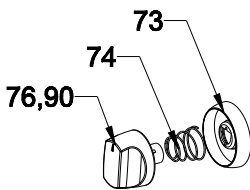
**RIMO RING**



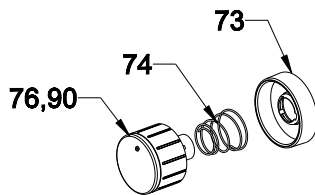
**RUSTIK RISUS RING**



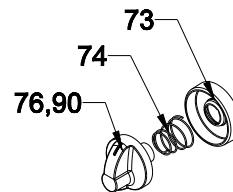
**SIGMA**



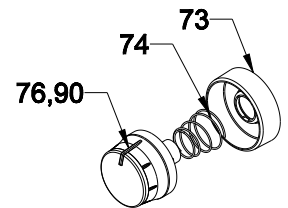
**TRIO**



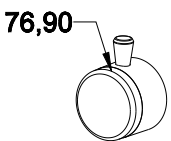
**SMALL MACRO RING**



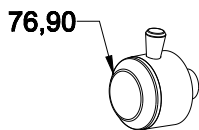
**VARIO RING**



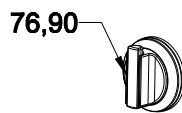
**SPEKTRUM**



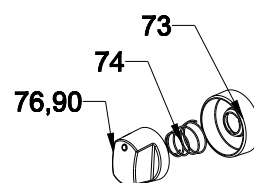
**AGA CLASSIC ONLY**



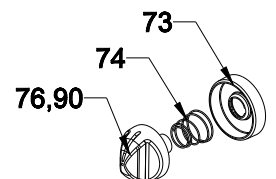
**AGA KITCHENER ONLY**



**AGA PROFESSIONAL ONLY**



**VESTA**



**ZETA RING**