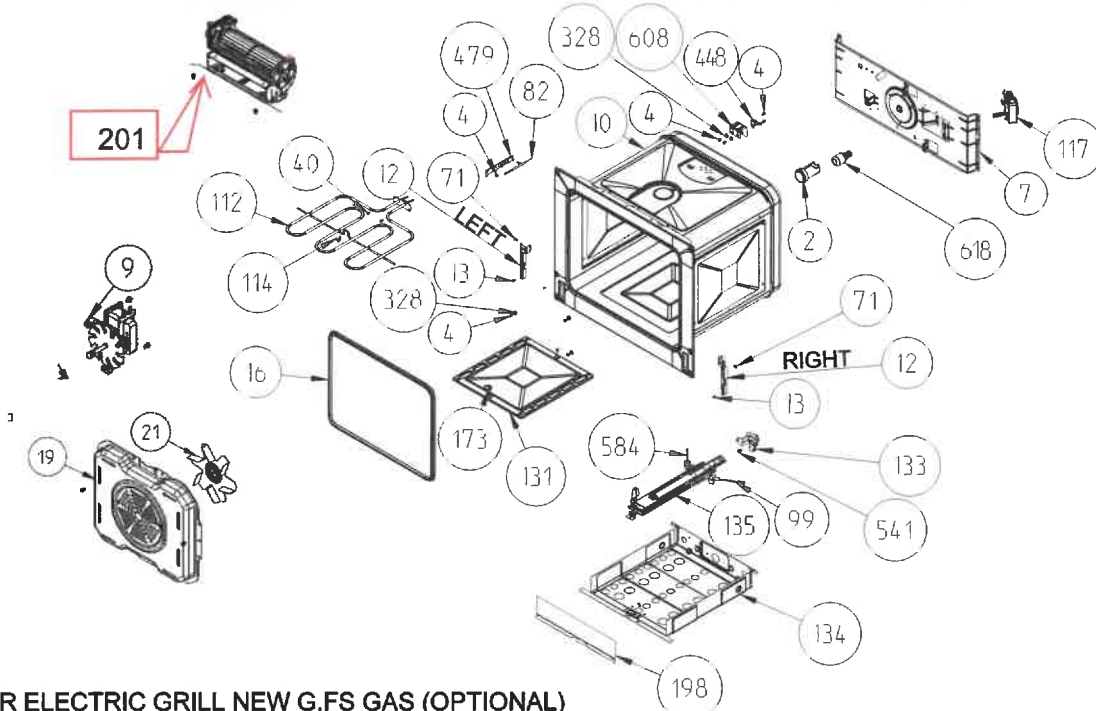
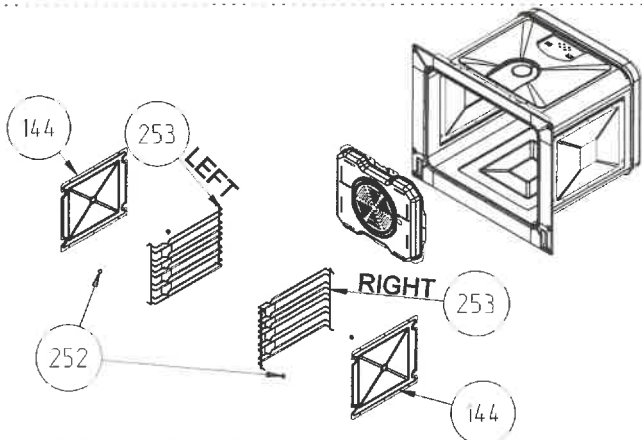


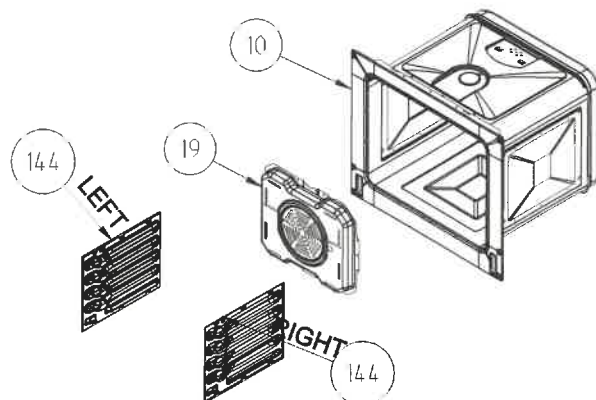
**NEW G.FS GAS (OPTIONAL)**



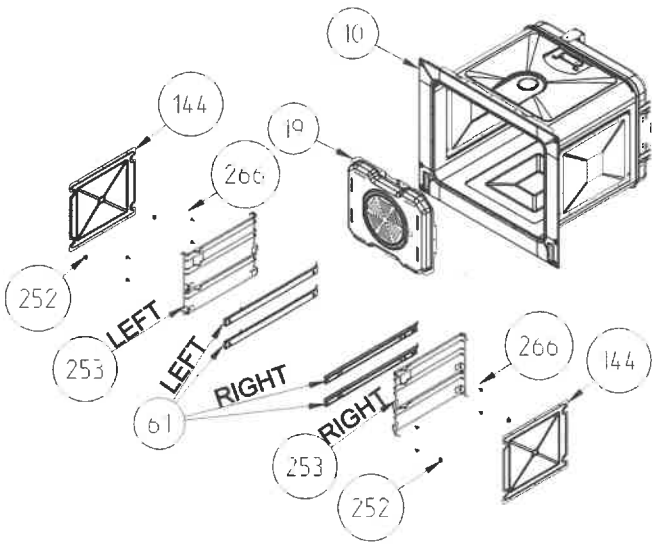
**ONLY FOR ELECTRIC GRILL NEW G.FS GAS (OPTIONAL)**



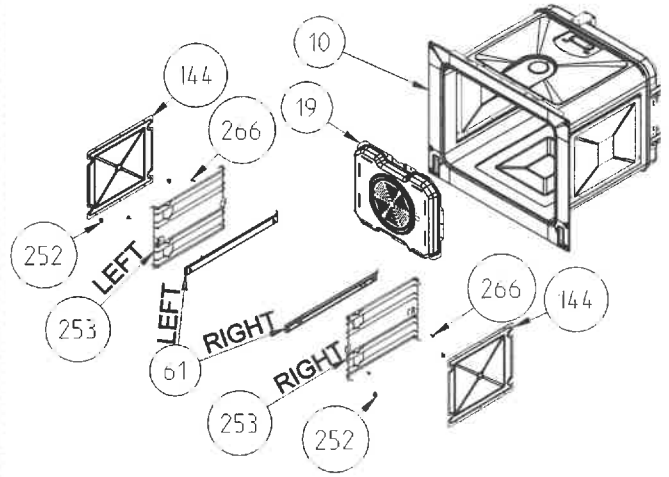
**WIRE SHELF CAVITY ASSEMBLY WITH/ WITHOUT CATALYTIC PANEL (OPTIONAL)**



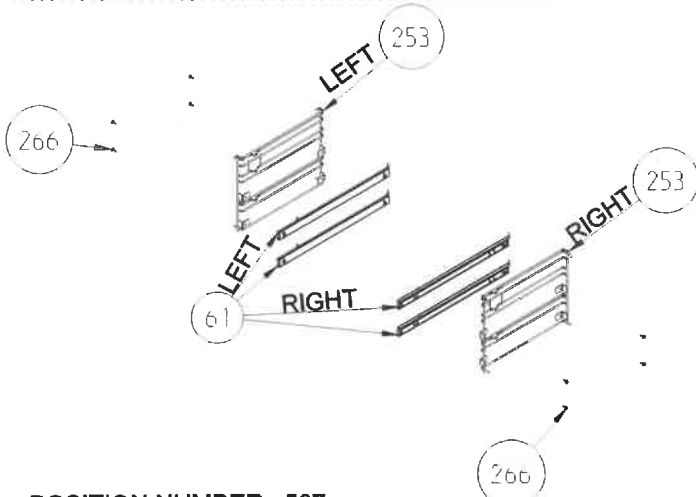
**CAVITY ASSEMBLY WITH CATALYTIC SHELF (OPTIONAL)**



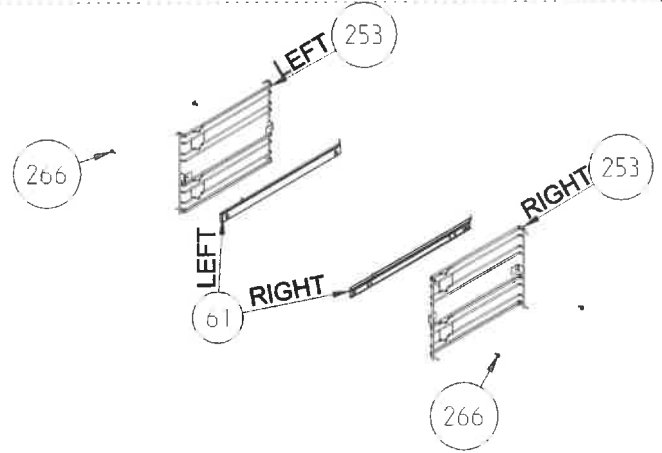
WIRE SHELF CAVITY ASSEMBLY  
WITH/ WITHOUT CATALYTIC PANEL  
OPTIONAL:DOUBLE TELESCOPIC RAIL (R / L)



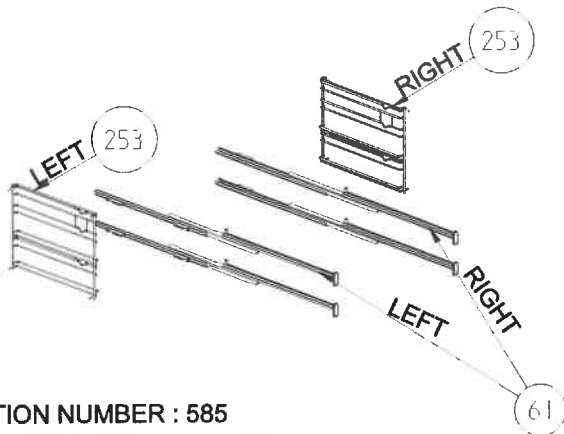
WIRE SHELF CAVITY ASSEMBLY  
WITH/ WITHOUT CATALYTIC PANEL  
OPTIONAL:TELESCOPIC RAIL (R / L)



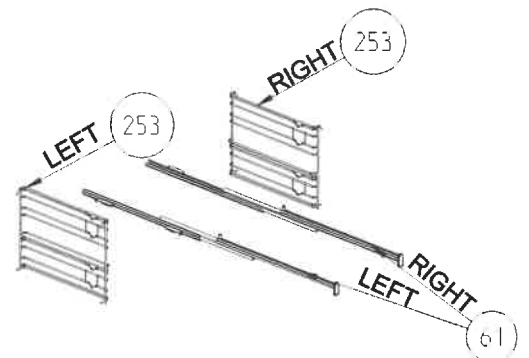
POSITION NUMBER : 587  
WIRE SHELF (SINGLE EXTENSION)  
OPTIONAL:DOUBLE TELESCOPIC RAIL (R / L) GROUP



POSITION NUMBER :588  
WIRE SHELF (SINGLE EXTENSION)  
OPTIONAL: SINGLE TELESCOPIC RAIL (R / L) GROUP



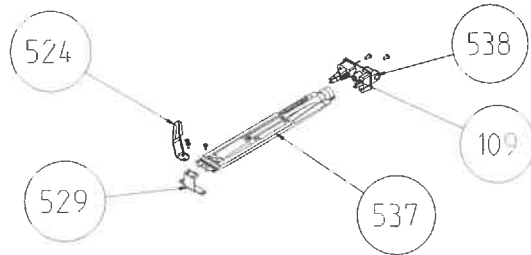
POSITION NUMBER : 585  
WIRE SHELF (FULL EXTENSION)  
OPTIONAL:DOUBLE TELESCOPIC RAIL (R / L) GROUP



POSITION NUMBER: 586  
WIRE SHELF (FULL EXTENSION)  
OPTIONAL: SINGLE TELESCOPIC RAIL (R / L) GROUP



TOP AND GRILL HEATING ELEMENT  
(OPTIONAL ONLY FOR  
ELECTRIC GRILL NEW G.FS GAS)



OVEN BURNER  
(ONLY FOR NEW G.FS GAS)



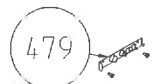
LOCKED



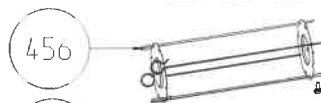
W. TELESCOPIC RAIL  
GRID (OPTIONAL)



TURNSPIT HANDLE / SKEWER



THERMIST BULB  
HOLDER/BACKET



SHISH KEBAB  
ACCESSORY (OPTIONAL)



143

BRACKET  
(OPTIONAL)

SHELF  
(OPTIONAL)

TURNSPIT (OPTIONAL)



DEEP



SHALLOW

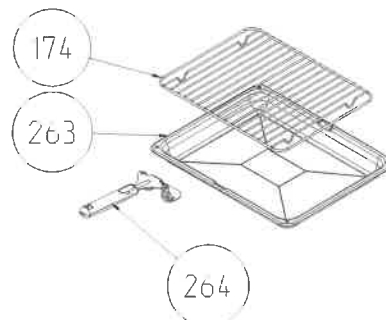


GLASS

TRAYS (OPTIONAL)



DEEP TRAY GRID (OPTIONAL)



GRILL PAN AND HANDLE SET  
(TRAY SET FOR GRILL) -  
POSITION NO 265 (OPTIONAL)

**CAVITY ASSEMBLY SPARE PART LIST**

<b>POSITION NUMBER</b>	<b>PART NAME</b>
2	OVEN LIGHT
4	SCREW (3.9*9.5)
7	REAR INSULATION COVER
10	CAVITY
12	HINGE COUNTERPART (LEFT /RIGHT)
13	SCREW (M4*8)
14	BOTTOM INSULATION COVER
15	TRAY (DEEP / SHALLOW)
16	OVEN DOOR GASKET
17	GRID (LOCKED ,W.TELESCOPIC RAIL)
18	THERMOSTAT BULB BRACKET
19	FAN COVER
40	SCREW (KNURLED,3.5*9.5)
61	TELESCOPIC RAIL (LEFT / RIGHT)
71	SCREW (KNURLED,3.9*6.5)
82	CAPILLARY THERMOSTAT
99	SPARK PLUG WITH CABLE (OVEN /GRILL BURNER)
106	DEEP TRAY GRID
112	TOP AND GRILL HEATING ELEMENT
114	TOP AND GRILL HEATING ELEMENT BULB BRACKET
115	TURNSPIT GRILL
116	TURNSPIT SKEWER
117	TURNSPIT MOTOR
131	BURNER COVER
133	OVEN INJECTOR HOLDER
134	BURNER BOX
135	OVEN BURNER
136	GRILL BURNER
143	TURNSPIT HOUSE (ONLY CAN BE USED WITH (DEEP /SHALLOW )TRAY
144	CATALYTIC PANEL WITH WIRE SHELF (ENAMELLED) SHELF COVER (RIGHT/LEFT,CATALYTIC ENAMELLED)
173	SCREW (3.9*13)
174	TRAY GRID
198	BURNER BOX HEAT COVER
252	WIRE SHELF FIXING CLIP
253	WIRE SHELF (R/L)
263	GRILL PAN
264	GRILL PAN HANDLE
265	TRAY SET(SMALL , BLACK)

The exploded views given in this document are generic.They include all possible versions of the product. For specific part codes,please refer to the bom list of regarding model.

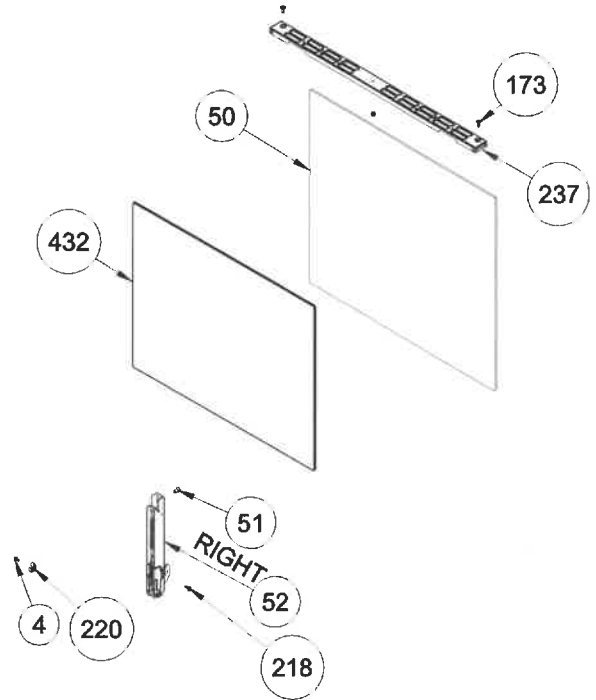
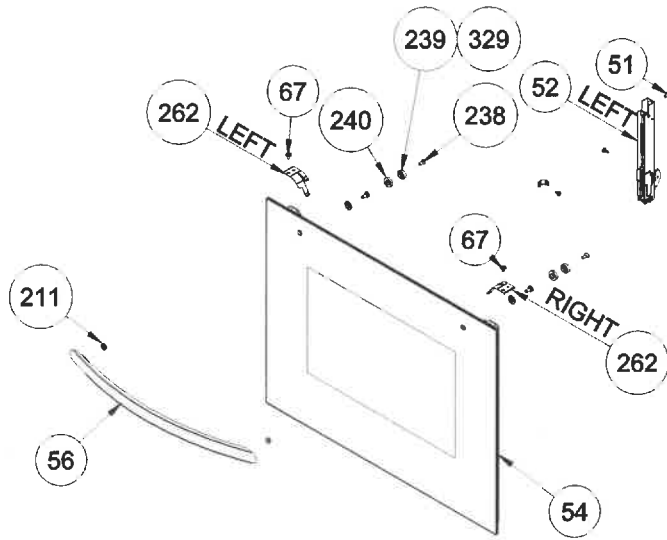
**CAVITY ASSEMBLY PARTS**

<b>POSITION NUMBER</b>	<b>PART NAME</b>
266	SCREW (M4*4T,STAINLESS)
328	WASHER (ENAMELLED,BLACK)
456	SHISH KEBAB ACCESSORY
479	THERMOSTAT BULB HOLDER (GAS)
524	BURNER DEFLECTOR
529	BURNER ASSEMBLY BRACKET
530	EYE SCREW (M5*12,AISI304)
537	OVEN BURNER
538	INJECTOR HOLDER (OVEN BURNER,55,NG)
540	TURNSPIT HANDLE
541	INJECTOR (OVEN/GRILL)
584	THERMOCOUPLE (OVEN/GRILL)
585	STRING SHELF GROUP (FULL EXTENSION)
586	STRING SHELF GROUP (FULL EXTENSION)
587	STRING SHELF GROUP (SINGLE EXTENSION)
588	STRING SHELF GROUP (SINGLE EXTENSION)
608	LIMITER BRACKET WITH SCREWING
618	LAMP

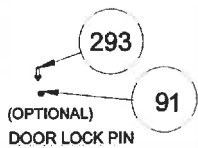
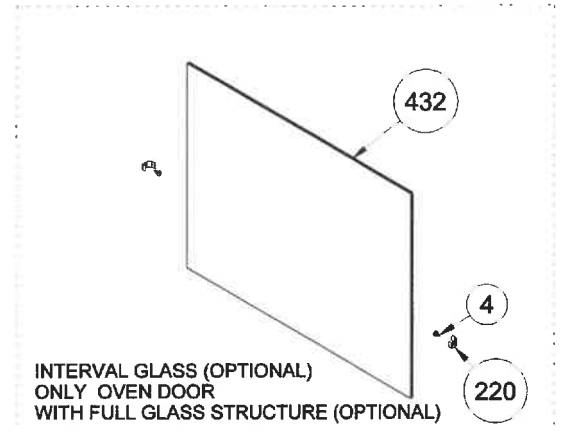
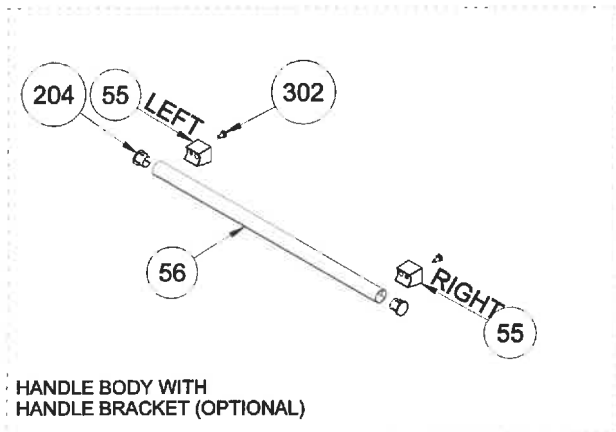
The exploded views given in this document are generic.They include all possible versions of the product.  
For specific part codes,please refer to the bom list of regarding model.

# OVEN DOOR ASSEMBLY EXPLODED VIEW (OPTIONAL)

POSITION  
NUMBER :377  
(DOOR)

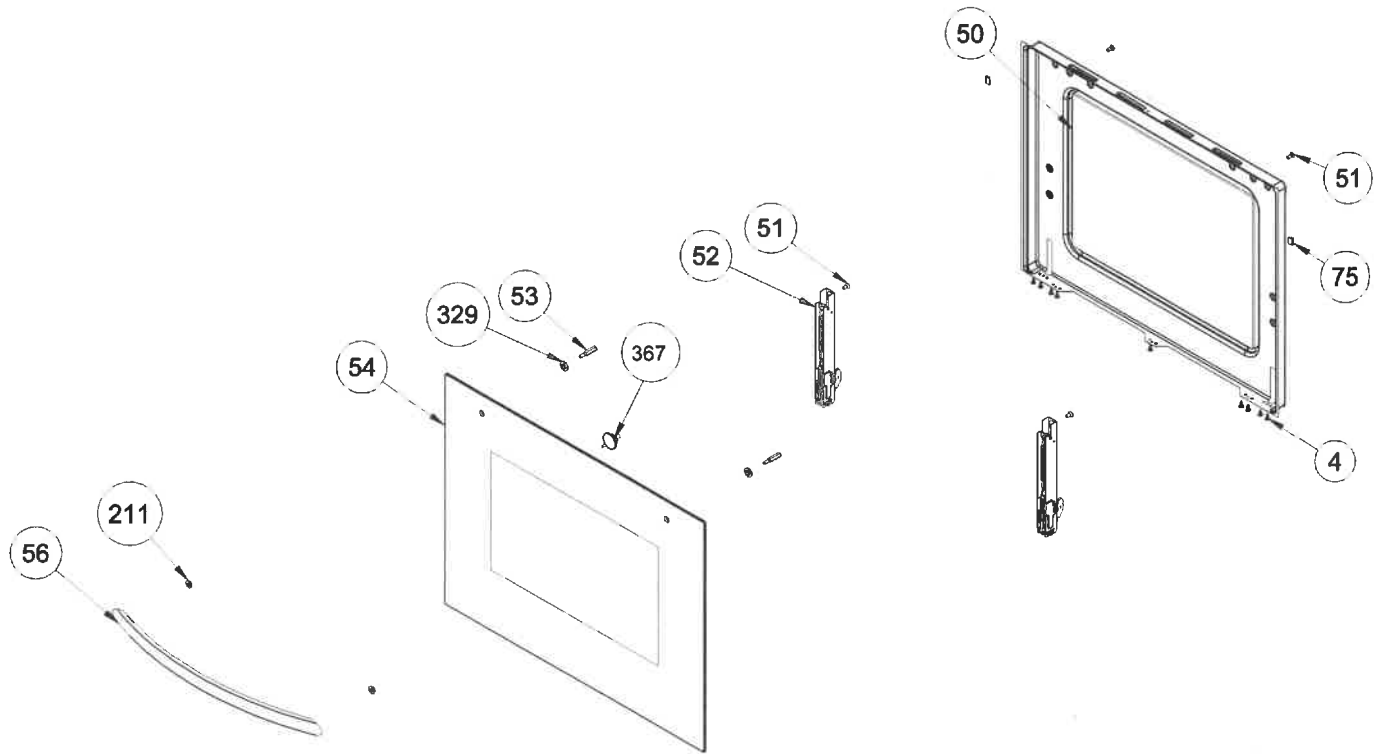


Note :  
220,239,240,432 is for Removable Third Glass Versions  
262,67 is for Removable Glass Versions



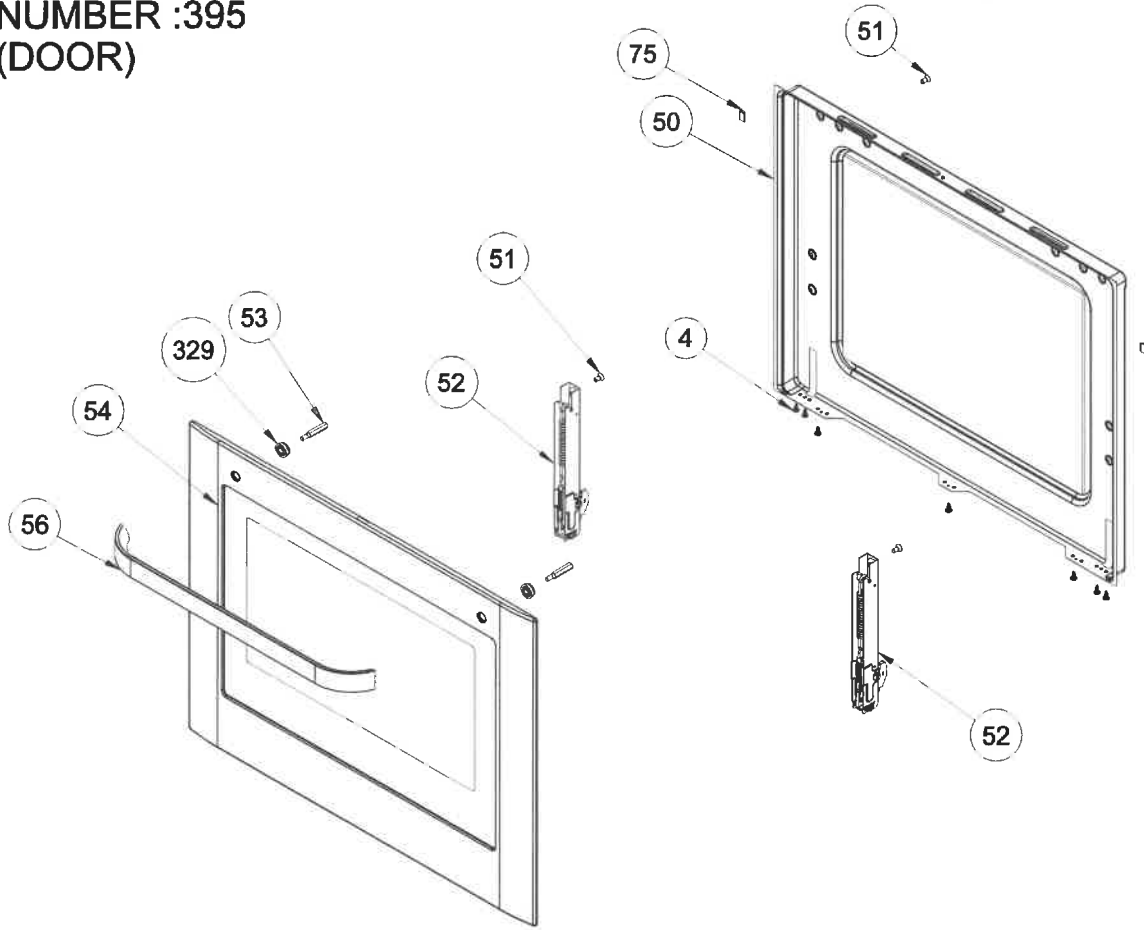
SOLID TYPE OVEN DOOR ASSEMBLY EXPLODED VIEW  
(FRONT VIEW OF GLASS)  
(OPTIONAL)

POSITION  
NUMBER :376  
(DOOR)

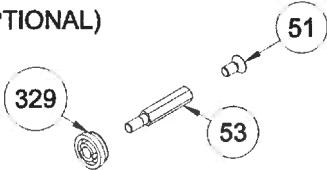


**SOLID TYPE OVEN DOOR ASSEMBLY EXPLODED VIEW  
(FRONT VIEW OF METAL WITH GLASS ) (OPTIONAL)**

**POSITION  
NUMBER :395  
(DOOR)**

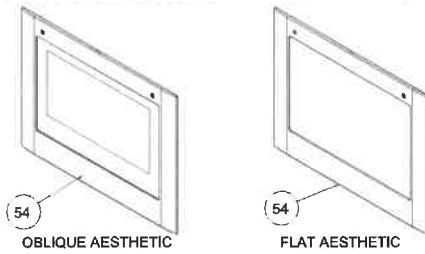


(OPTIONAL)



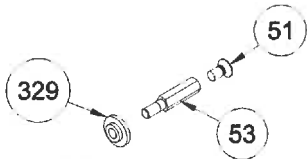
**TYPE 1**

**HANDLE ASSEMBLY GROUP  
POSITION NUMBER : 49  
(OPTIONAL)**



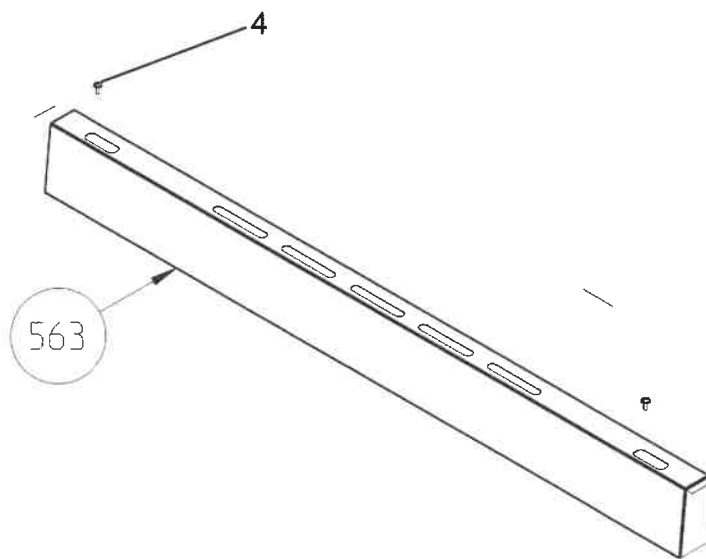
**OBLIQUE AESTHETIC      FLAT AESTHETIC**  
SOLID TYPE - POSITION NO 54 (OPTIONAL)

(OPTIONAL)



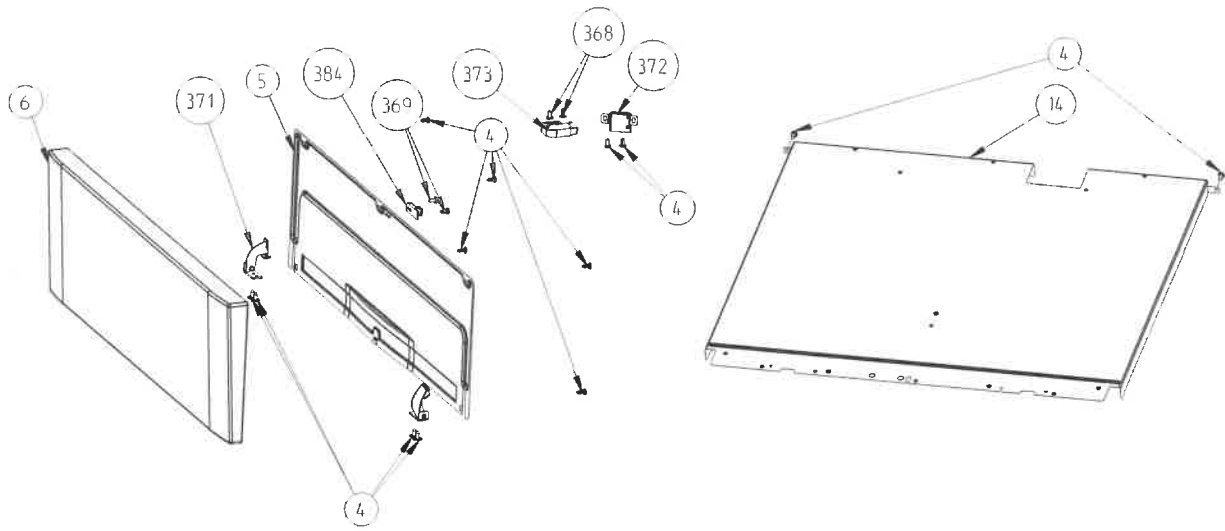
**TYPE 2**

**HANDLE ASSEMBLY GROUP  
POSITION NUMBER : 49  
(OPTIONAL)**

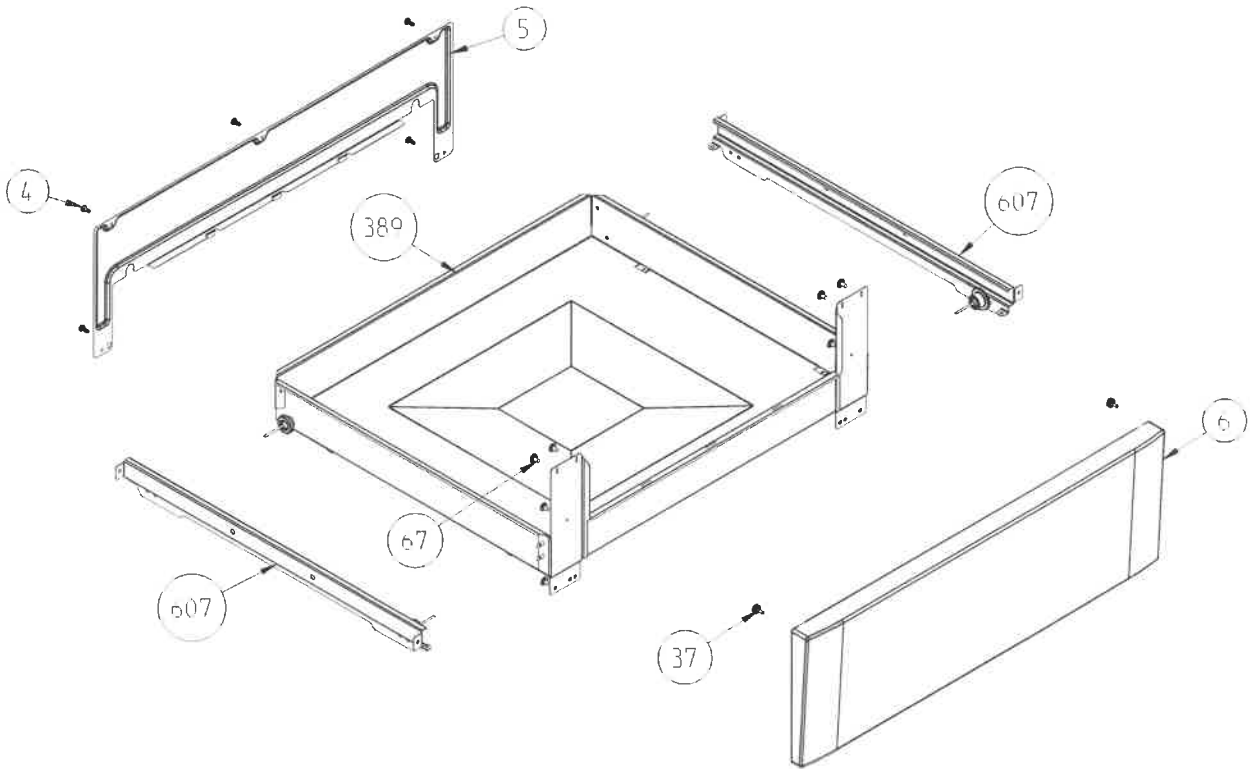


SPLASHBACK

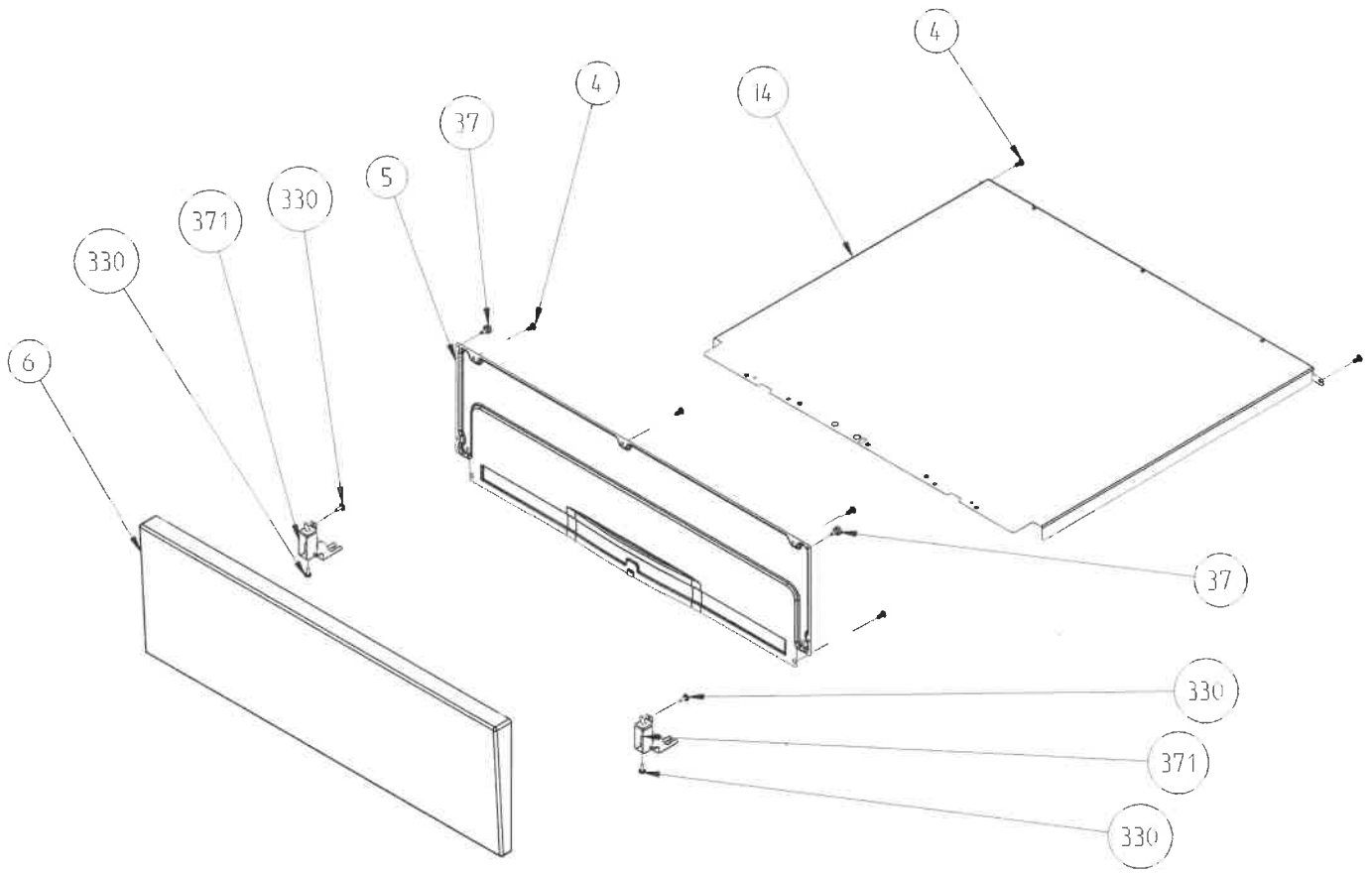
DOOR ASSEMBLY SPARE PART LIST	
POSITION NUMBER	PART NAME
4	SCREW (KNURLED, 3.9*9.5)
49	HANDLE ASSEMBLY GROUP
50	INNER GLASS ASSEMBLY
51	SCREW (COUNTERSUNK-HEAD, M5*10, BLACK)
52	OVEN DOOR HINGE
54	OUTER GLASS ASSEMBLY
55	HANDLE BRACKET (LEFT-RIGHT)
56	HANDLE BODY
67	SCREW (3.9*9.5, SLIM HEAD)
75	OVEN DOOR SILICONE STOPER
91	NUT (M4)
173	SCREW (COUNTERSUNK-HEAD, 3.9*13)
204	HANDLE TAP (RIGHT-LEFT)
211	HANDLE ASSEMBLY GASKET
218	SCREW (COUNTERSUNK-HEAD,3.9*7.5,BLUNT,BLK)
220	INTERVAL FRONT PANEL SPRING
237	DOUBLE GLAZED OVN DOOR MTLTRIM(NEWG66)
238	SCREW (COUNTERSUNK-HEAD, M5*18, BLACK)
239	HANDLE FIXING BUSH
240	SILICONE WASHER
262	REMOVABLE INNER GLASS SPRING (LEFT / RIGHT)
293	DOOR LOCK PIN
302	SCREW (COUNTERSUNK-HEAD,3.9*7.5,BLUNT,BLK)
329	GRADUAL WASHER
367	THERMOMETER GR(WITH POINTER,150C / GP)
376	SOLID TYPE OVEN DOOR ASSEMBLY(FRONT VIEW OF GLASS)
377	OVEN DOOR ASSEMBLY GROUP
395	SOLID TYPE OVEN DOOR ASSEMBLY (FRONT VIEW OF METAL WITH GLASS )
432	FLAT PROF. DOOR INTERVAL GLASS
The exploded views given in this document are generic.They include all possible versions of product.For specific part codes ,please refer to the bom list of regarding model.	



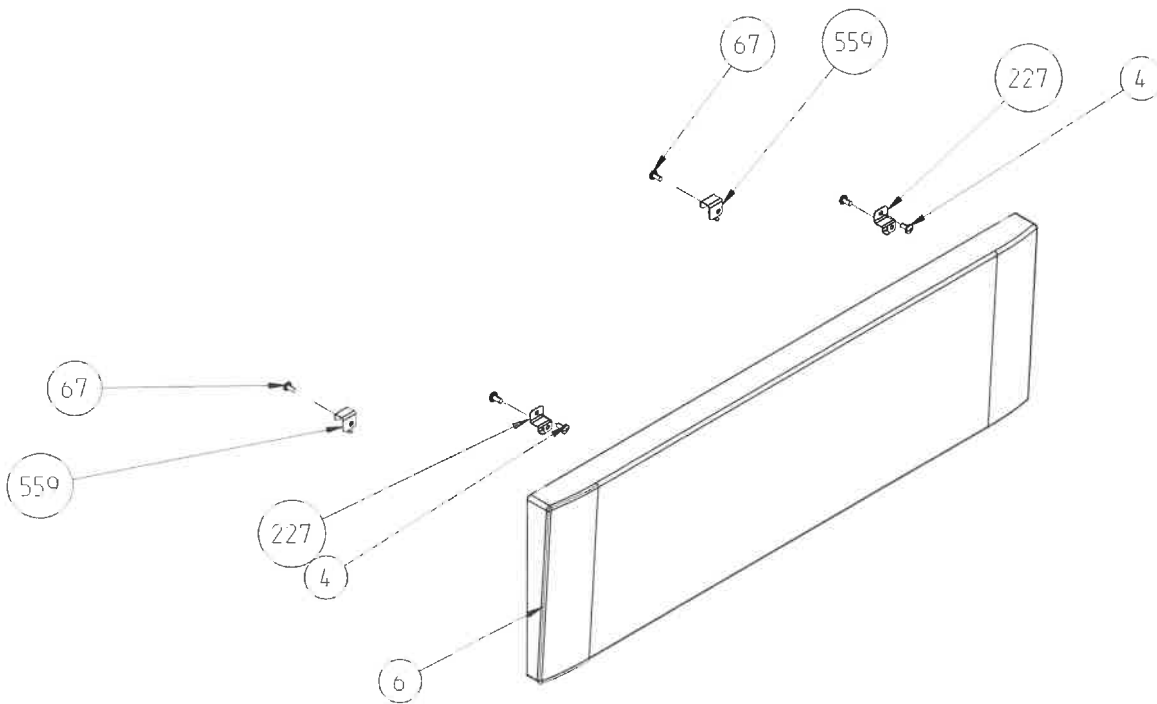
PUSH PULL FLAP DRAWER ASSEMBLY (OPTIONAL)



4WG DRAWER ASSEMBLY (OPTIONAL)



**YNTB FLAP DRAWER ASSEMBLY**

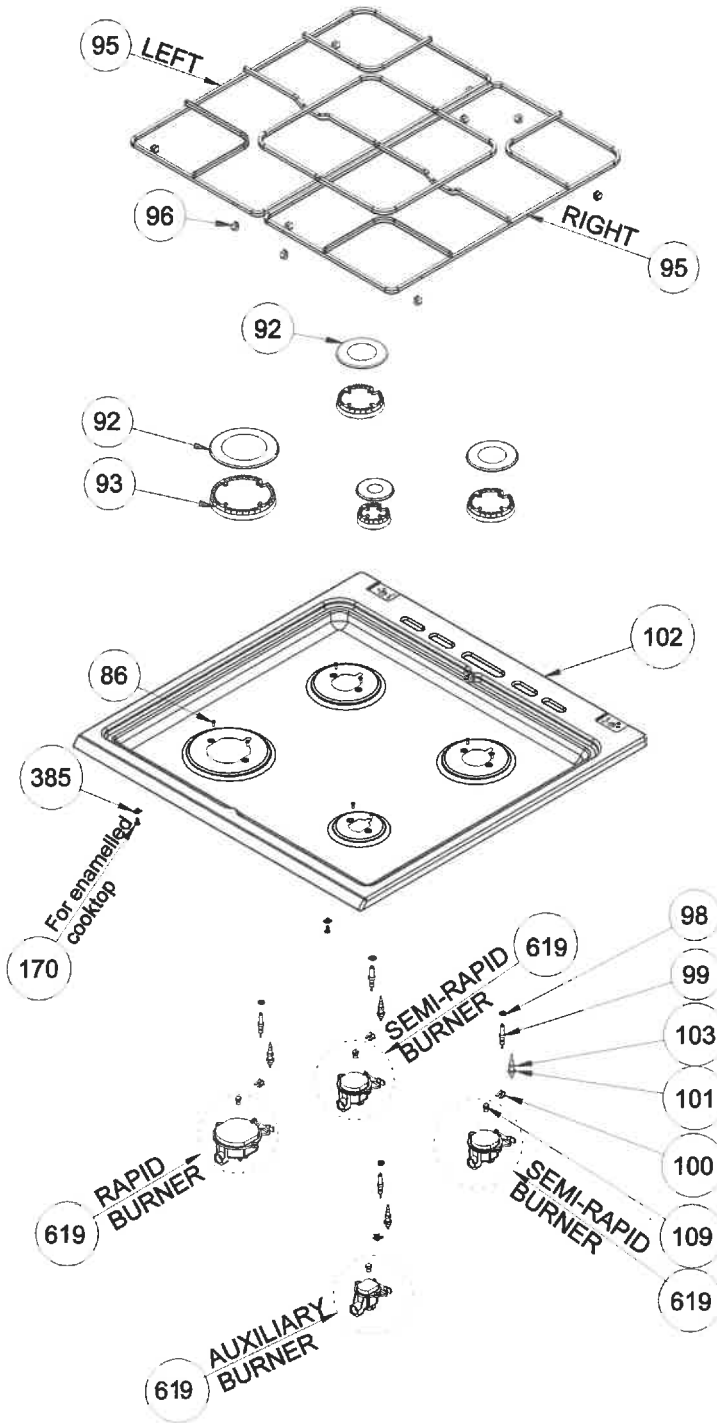


**FIXED DRAWER ASSEMBLY  
(OPTIONAL)**

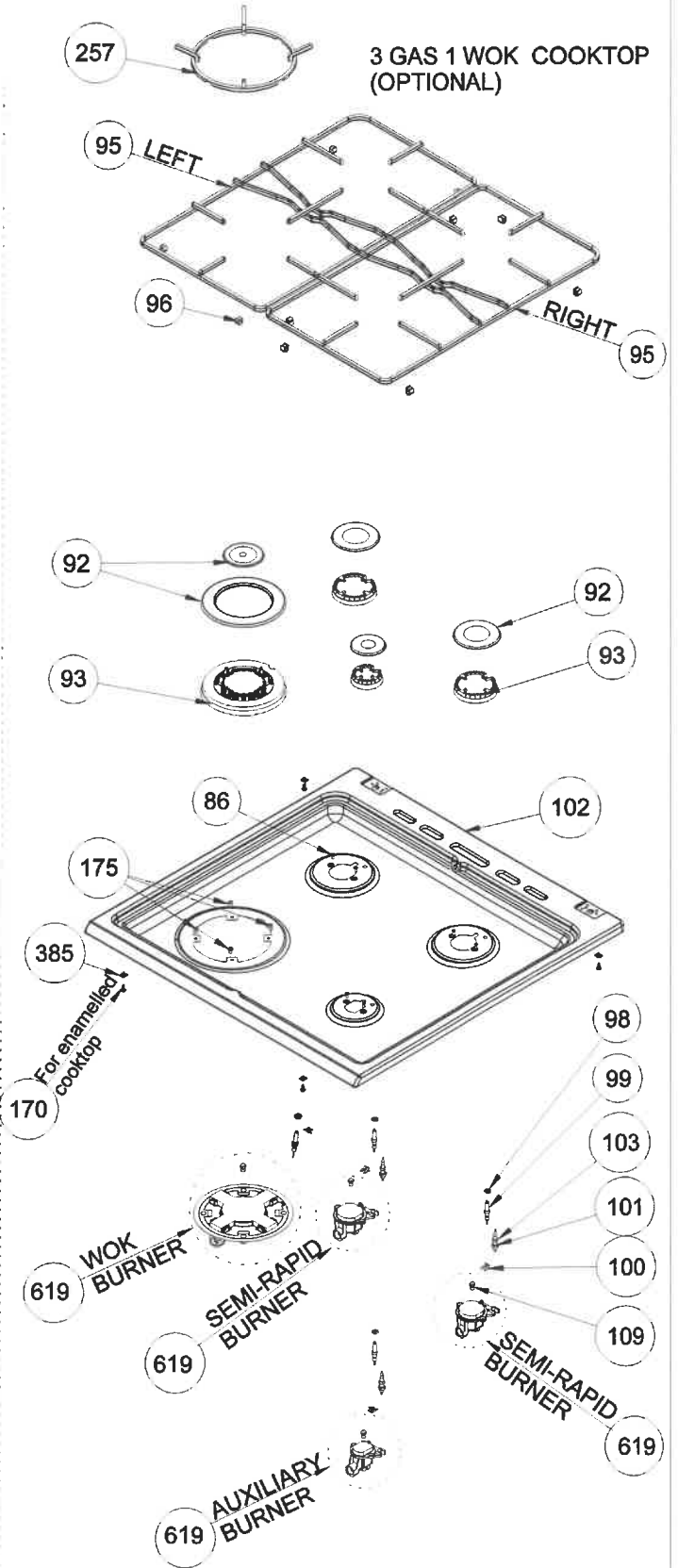
<b>POSITION NUMBER</b>	<b>DESCRIPTION</b>
3	WARMER DRAWER RAIL WHEEL
4	SCREW (CIRCULAR-HEAD, 3.9*9.5, BLACK)
5	WARMER DRAWER INNER COVER
6	WARMER DRAWER PANEL (60*60,3D)
14	BOTTOM INSULATION COVER (60*60)
37	DRAWER PANEL STOPPER
67	CHASSIS BRACKET CONTACT SCREW
227	FIXED DRAWER PANEL TOP BRACKET
330	SCREW (KNURLED,M4*4)
368	SCREW (KNURLED, 2.9*18)
369	SCREW (KNURLED, 2.9*8,BLACK)
371	FLAP DRAWER (HINGE / LEFT)
372	FLAP DRAWER LOCKING BRACKET
373	FLAP DRAWER LOCKING (MINI LATCH)
384	FLAP DRAWER LOCKING COUNTERPART(MINI LATCH)
389	DRAWER BOX
559	FIXED DRAWER PANEL BOTTOM BRACKET(NEW G)
607	4WG DRAWER RAIL GROUP
<p>*The exploded views given in this document are generic.They include all possible versions of the product. For specific part codes, please refer to the bom list of regarding model.*</p>	

# FREE STANDING COOKTOP VERSIONS

## 4 GAS COOKTOP (OPTIONAL)



## 3 GAS 1 WOK COOKTOP (OPTIONAL)

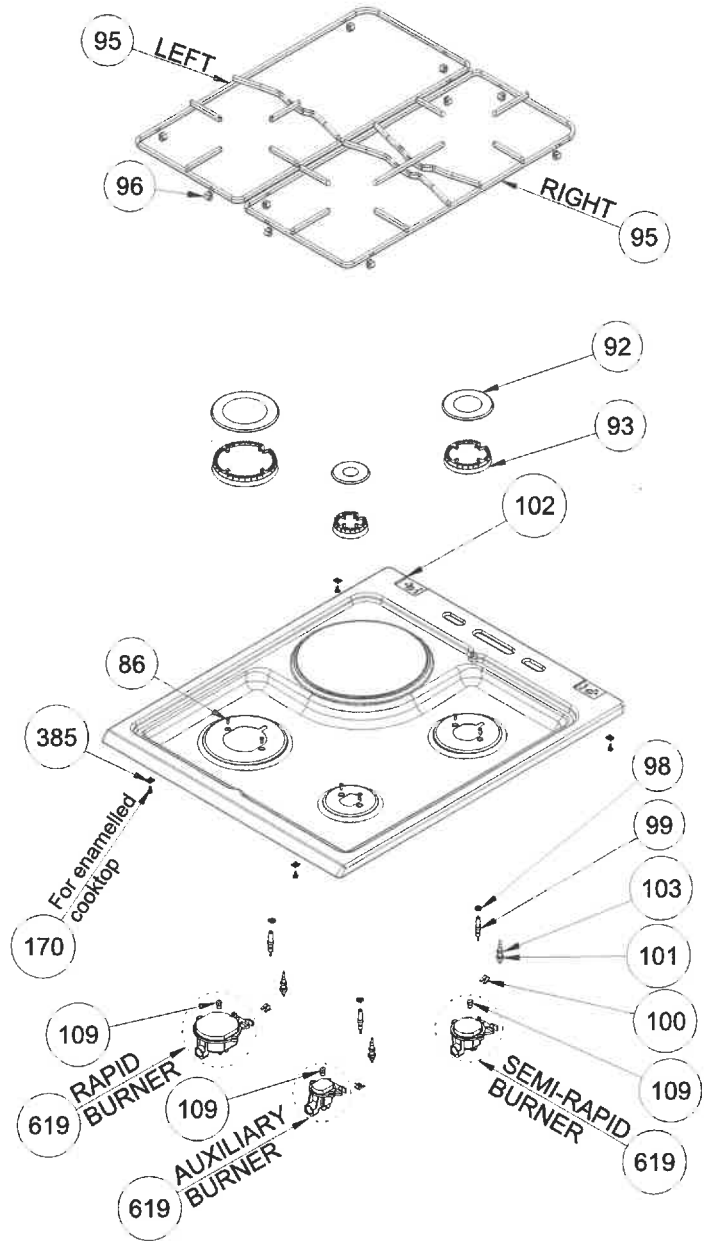
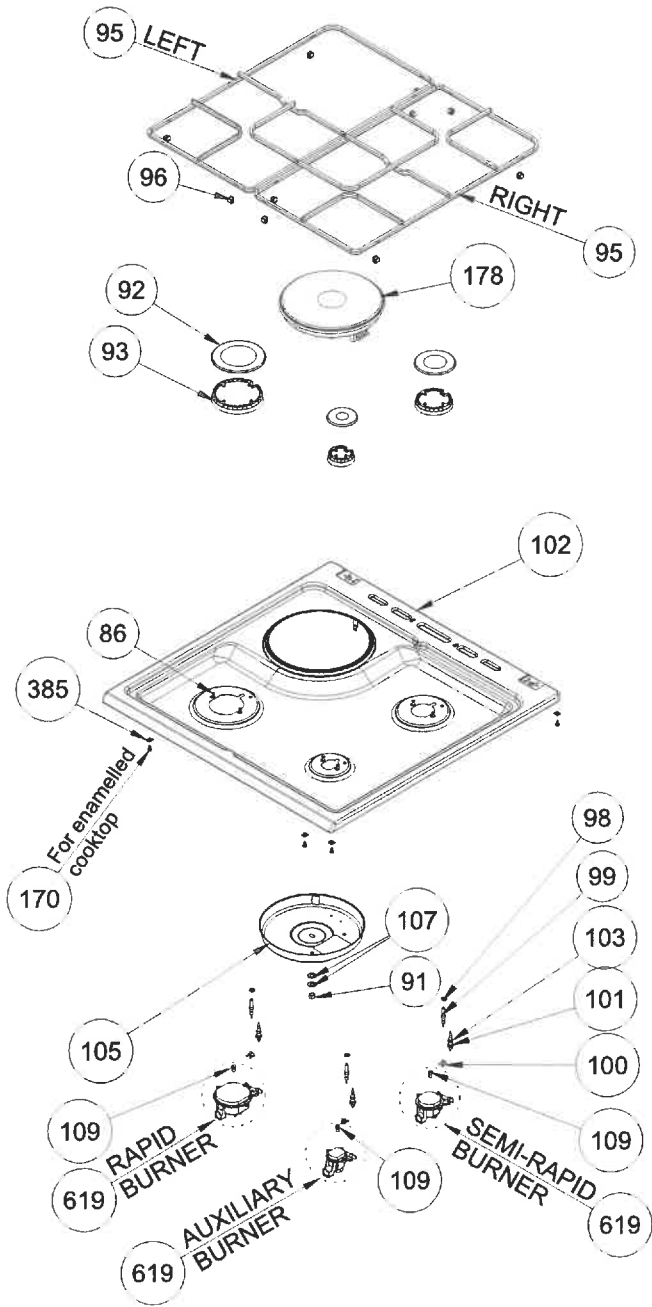


The exploded views given in this document are generic. They include all possible versions of the product. For specific part codes please refer to the bom list of regarding model.

# FREE STANDING COOKTOP VERSIONS

## 3 GAS 1 ELECTRIC COOKTOP (OPTIONAL)

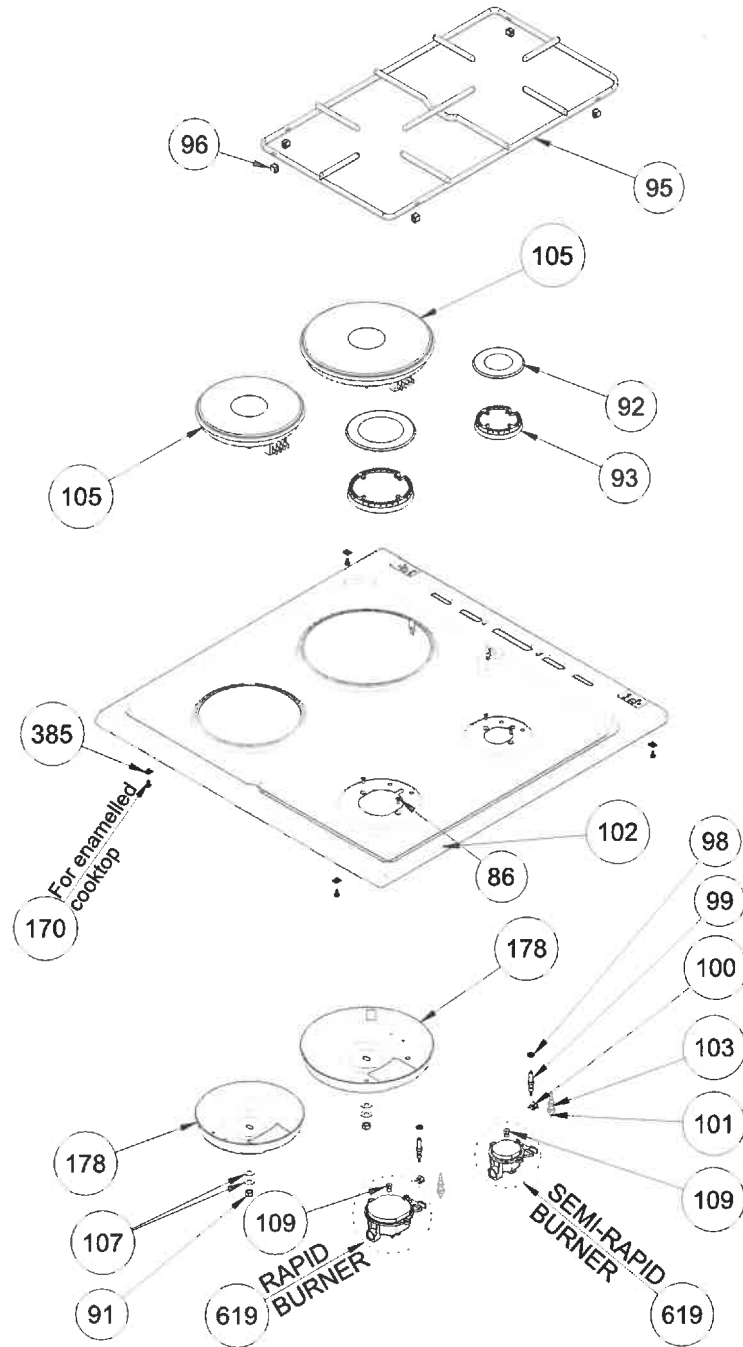
## 3 GAS COOKTOP (OPTIONAL)



The exploded views given in this document are generic. They include all possible versions of the product. For specific part codes please refer to the bom list of regarding model.

# FREE STANDING COOKTOP VERSIONS

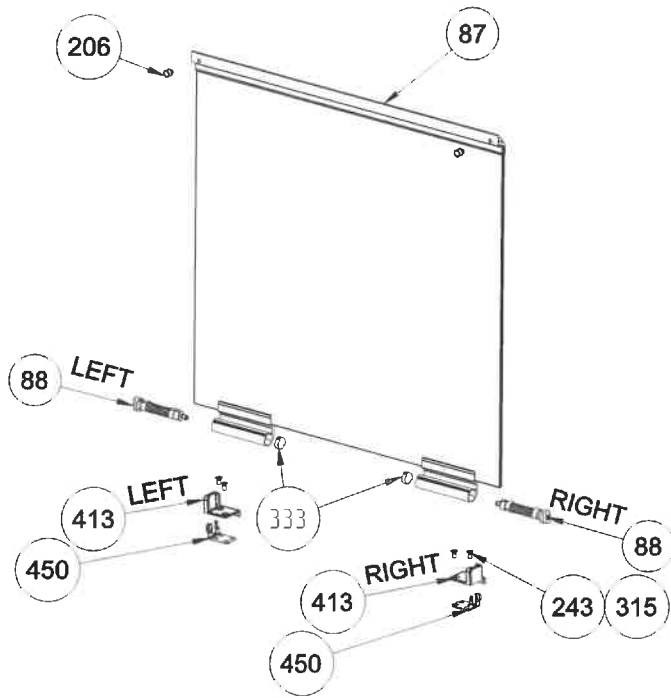
## 2 GAS 2 ELECTRIC COOKTOP (OPTIONAL)



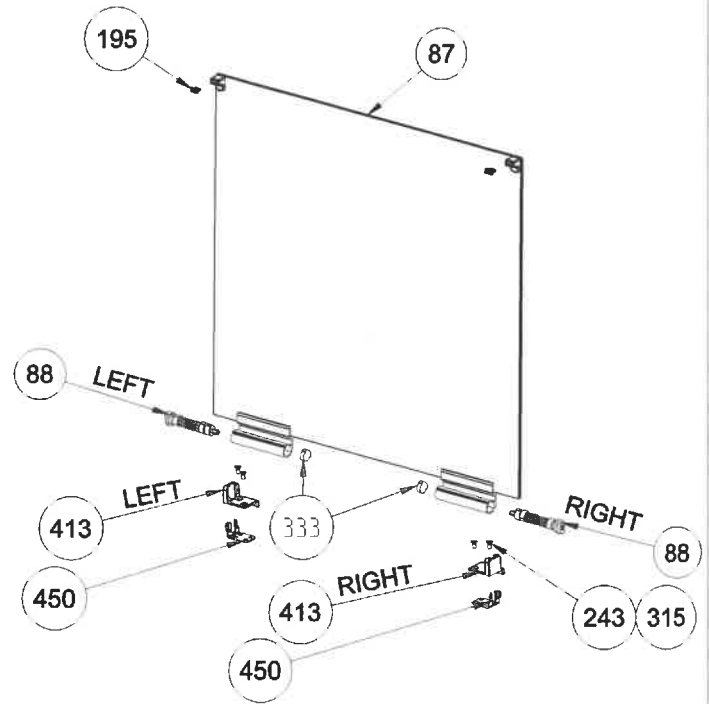
The exploded views given in this document are generic. They include all possible versions of the product. For specific part codes please refer to the bom list of regarding model.

FREE STANDING COOKTOP ASSEMBLY SPARE PART LIST	
POSITION NUMBER	PART NAME
86	SCREW (COUNTERSUNK-HEAD, M3*8, LENTIL HEAD)
91	NUT
92	BURNER CAP (RAPID / AUXILIARY /SEMI-RAPID / WOK BURNER)
93	BURNER HEAD (RAPID / AUXILIARY /SEMI-RAPID /WOK BURNER)
95	PAN SUPPORT (RIGHT / LEFT )
96	PAN SUPPORT BUMPER
98	SPARK PLUG GASKET
99	SPARK PLUG WITHCABLE
100	SPARK PLUG SEGMENT
101	THERMOCOUPLE (RAPID /AUXILIARY/SEMI-RAPID/WOK BURNER)
102	COOKTOP
103	THERMOCOUPLE FIXING NUT
105	HOTPLATE
107	WASHER
109	INJECTOR (RAPID /AUXILIARY/SEMI-RAPID/WOK BURNER)
170	ENAMELLED COOKTOP FIXING CLIP SCREW
175	WOK BURNER CONTACT SCREW
178	HOTPLATE HOUSING
257	WOK BURNER SUPPORT
385	ENAMELLED COOKTOP FIXING CLIP
619	BURNER BODY (RAPID /AUXILIARY/SEMI-RAPID/WOK BURNER)

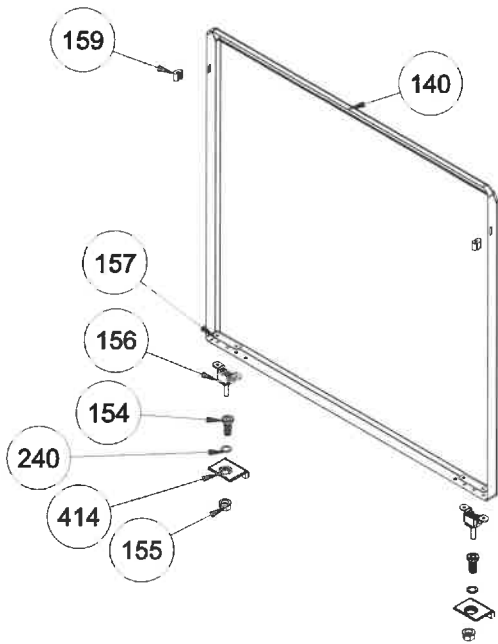
The exploded view given in this document. They include all possible versions of the product. For specific part codes please refer to the bom list of regarding model.



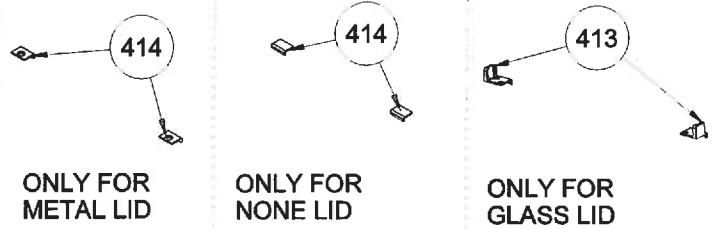
GLASS LID WITH SHORT PROFILE  
(OPTIONAL)



GLASS LID WITH BUMPER  
(OPTIONAL)

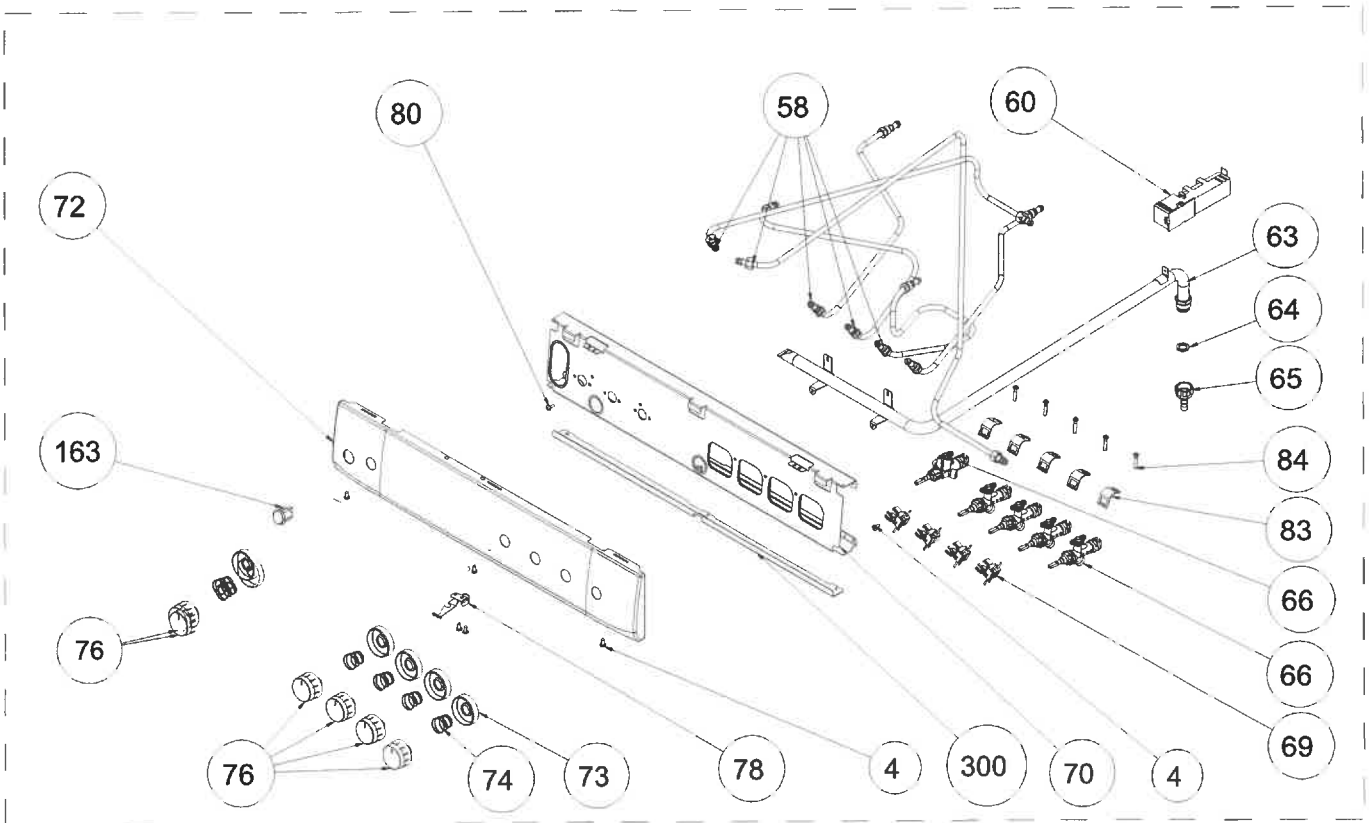


METAL LID (OPTIONAL)  
POSITION NUMBER :153

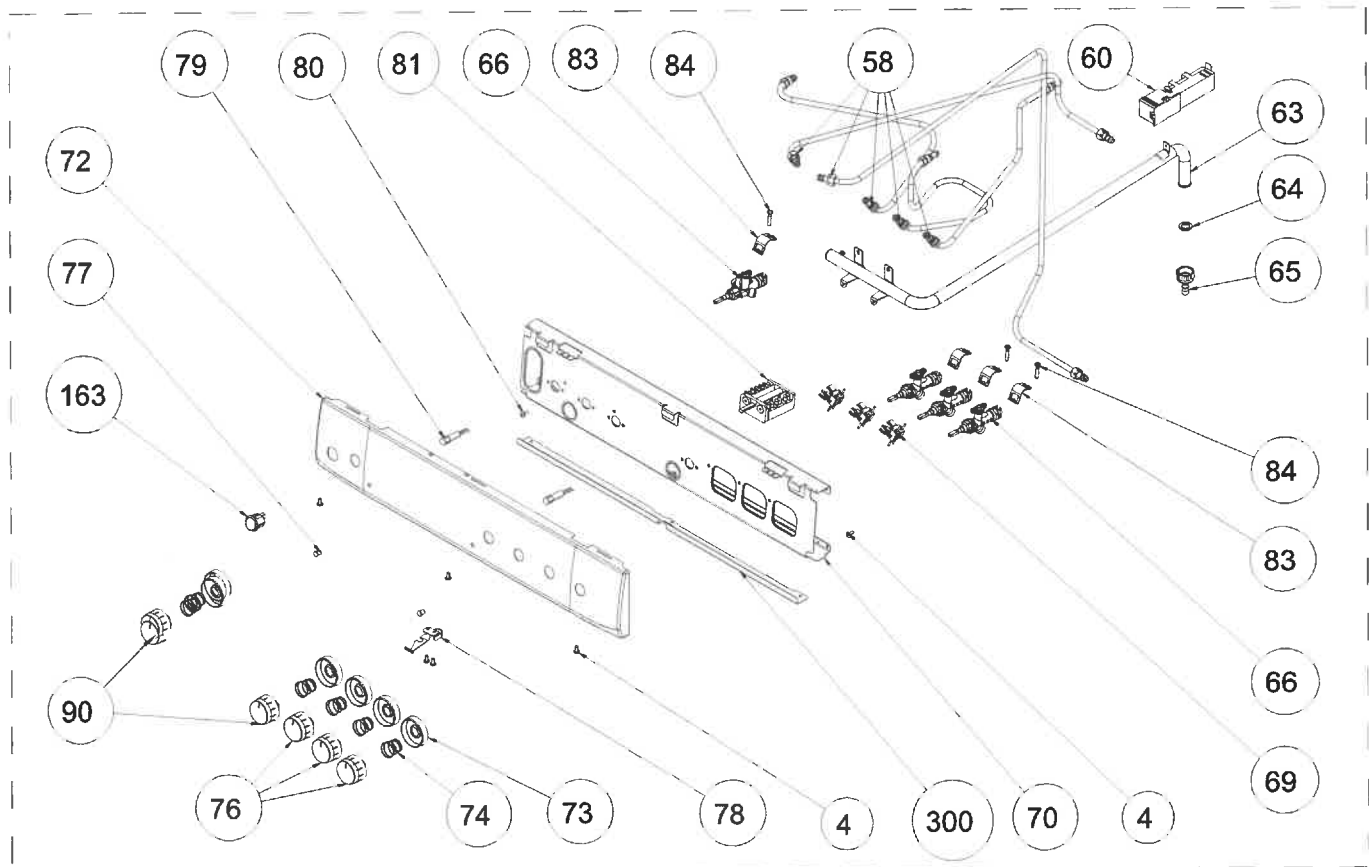


LID ASSEMBLY SPARE PART LIST	
POSITION NUMBER	PART NAME
87	GLASS LID ASSEMBLY GROUP
88	GLASS LID HINGE (LEFT/RIGHT)
140	METAL LID
153	METAL LID ASSEMBLY
154	METAL LID HINGE TOP PART
155	METAL LID HINGE BOTTOM PART
156	METAL LID HINGE
157	METAL LID HINGE TOP COUNTERPART
159	METAL LID BUMPER
195	GLASS LID BUMPER SILICONE
206	GLASS LID FRO.PROFILE SILICON BUMPER
240	SILICON WASHER
243	CONNECTION SCREW
333	GLASS LID BACK PROFILE CAP
413	GLASS LID COVERING PLS PART
414	COOKTOP COVERING PLS PART
450	METAL LID HINGE

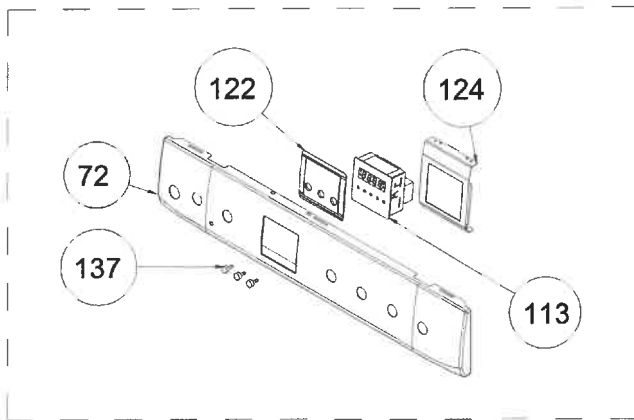
The exploded views given in this document are generic.They include all possible versions of product.For specific part codes, please refer to the bom list of regarding model.



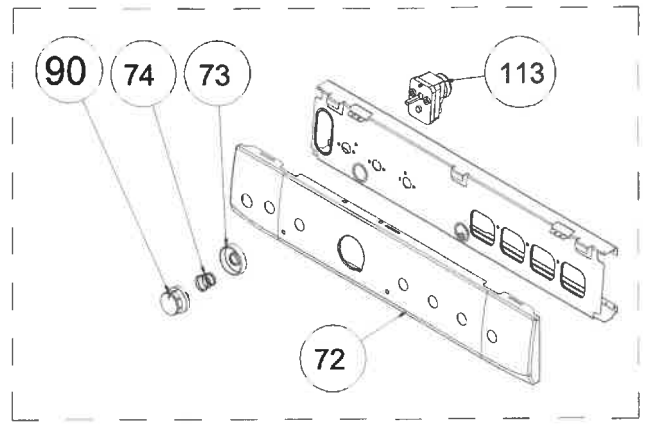
3D-5-GAS - NO TIMER CONTROL PANEL ASSEMBLY



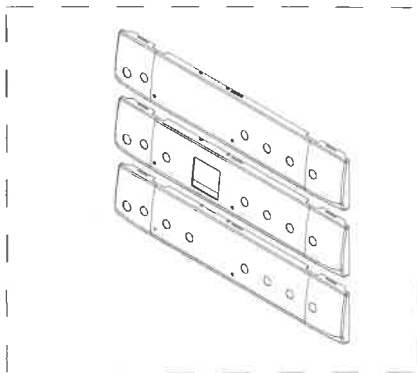
3D- 3GAS+1ELECTRIC - NO TIMER CONTROL PANEL ASSEMBLY



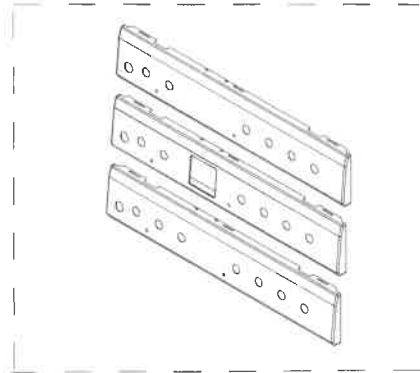
DIGITAL TIMER ( OPTIONAL )



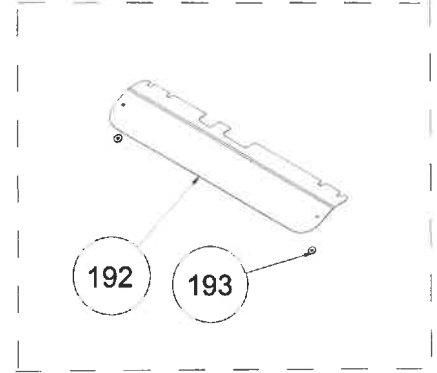
MECHANIC TIMER ( OPTIONAL )



3D METAL CONTROL PANELS ( OPTIONAL )



FLAT METAL CONTROL PANELS ( OPTIONAL )



GRILL HEAT COVER ( OPTIONAL )

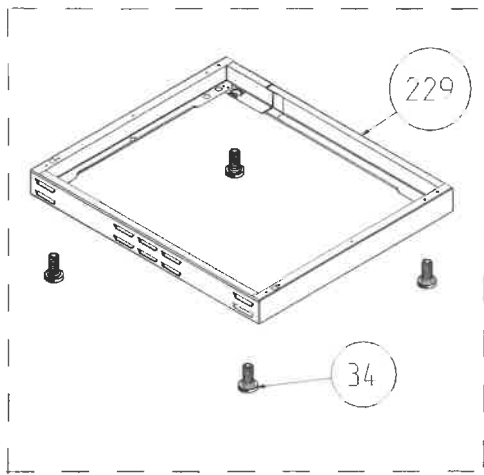
C O N T R O L P A N E L A S S E M B L Y P A R T S

POSITION NUMBER	PART NAME
4	SCREW ( 3.9*9.5 )
58	GAS DELIVERY TUBE
60	IGNITOR ( 4 OUTLET )
63	MANIFOLD
64	STRAIGHT HOSE FITTING GASKET
65	HOSE FITTING ( NG )
66	GAS VALVE ( HOB / OVEN* )
69	MICROSWITCH HARNESS
70	INNER PANEL
72	FRONT PANEL GROUP ( GLASS / METAL )
73	KNOB RING
74	KNOB SPRING
76	KNOB ( GAS )
77	SIGNAL LAMP LENS
78	CHILD LOCK
79	SIGNAL LAMP BODY
80	SCREW ( M 4*6 )
81	FUNCTION SELECTOR SWITCH / HOTPLATE SWITCH
83	COOKTOP VALVE ASSEMBLY BRACKET
84	SCREW ( M 4*18, HEAD Ø 9 )
90	KNOB - ELECTRICAL
113	TIMER ( MECHANIC / DIGITAL / ANALOG )
122	TIMER LENS
124	TIMER HOLDER ( DIGITAL / ANALOG )
137	TIMER BUTTON
163	OVEN LIGHT BUTTON
188	ENERGY REGULATOR
192	GRILL HEAT COVER
193	GRILL HEAT COVER WASHER
300	KNIFE BARRIER, SUBPANEL ( NEW G )

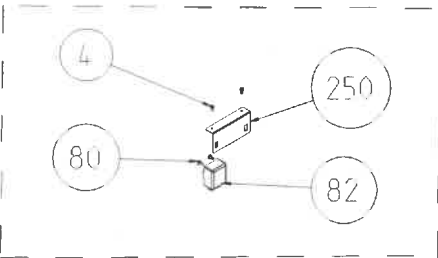
\*OVEN VALVES MIGHT BE THERMOSTATIC / NON-THERMOSTATIC ( this is optional. Gas ovens do not have a separate thermostat )

\*The exploded views given in this document are generic. They include all possible versions of the product.

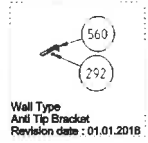
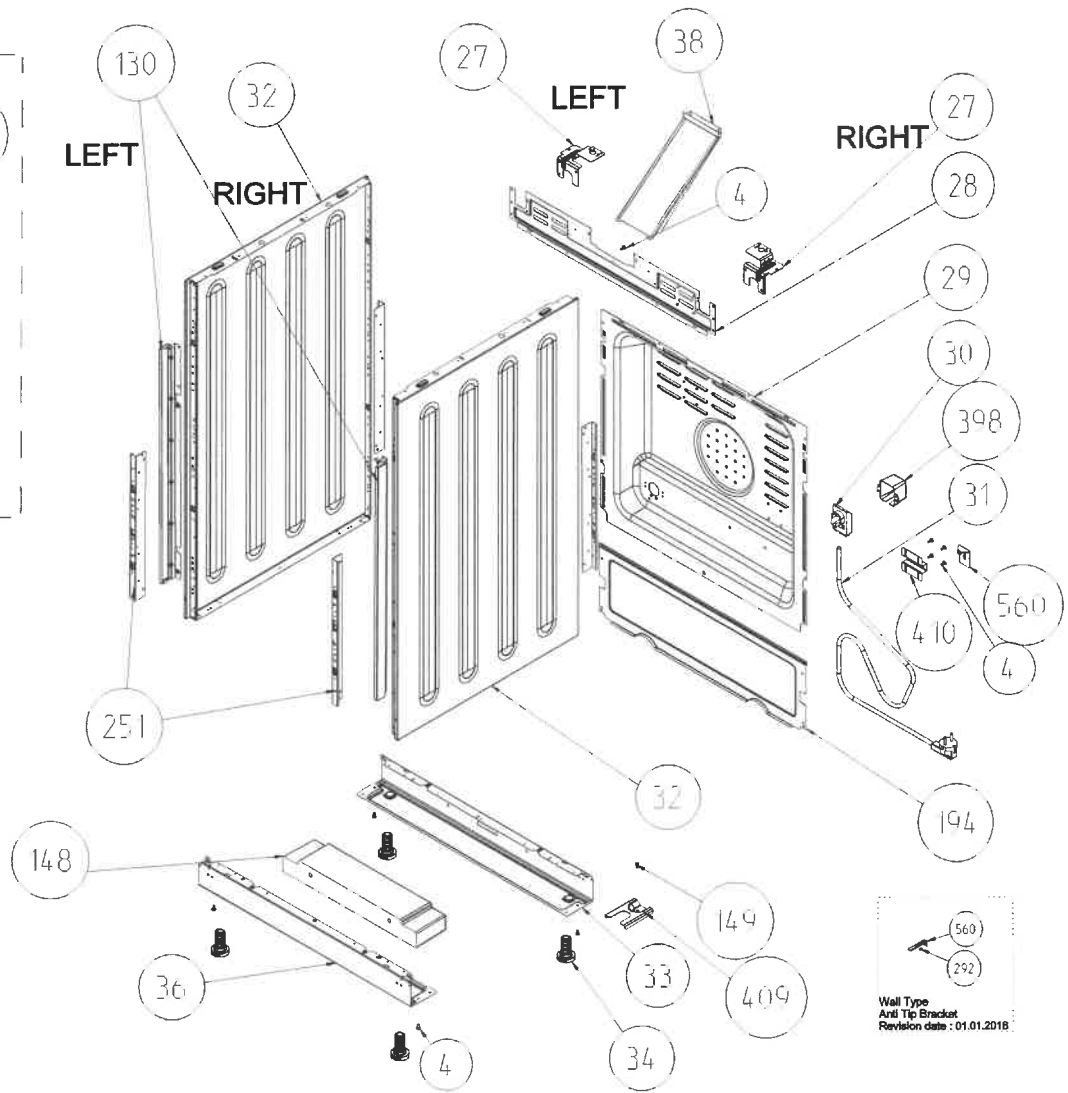
For specific part codes, please refer to the bom list of regarding model.\*



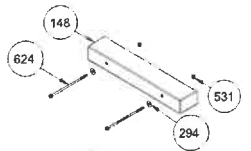
**EXTRA BOTTOM SUPPORT  
(WITH LOUVRES)**



**(OPTIONAL ONLY FOR  
ELECTRIC GRILL FS GAS)**



Wall Type  
Anti Tip Bracket  
Revision date : 01.01.2018

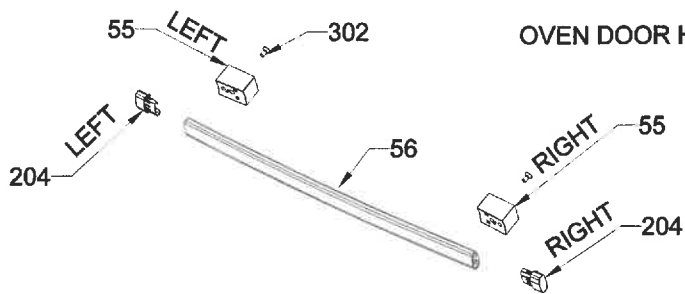


CONCRETE WEIGHT  
Revision date : 01.04.2017

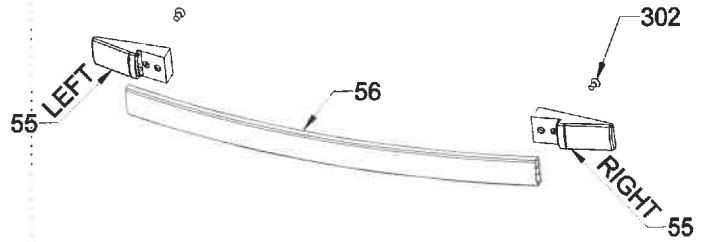
SIDE PANEL ASSEMBLY SPARE PART LIST	
POSITION NUMBER	PART NAME
4	SCREW(CONEHEADED,3.9x9.5)
27	CHASSIS BRACKET
28	REAR TOP PANEL
29	REAR PANEL
30	TERMINAL BOX -16A - 400V
31	POWER CARD
32	SIDE PANEL
33	REAR PLINTH
34	ADJUSTABLE FEET
36	FRONT PLINTH
38	EXHAUST BODY
80	SCREW(KNURLED M4X8)
82	CAPILLARY THERMOSTAT
91	ADJUSTABLE FEET NUT (FIXED)
130	SIDE CLOSING PROFILE
148	CONCRETE WEIGHT
149	SCREW (CIRCULAR-HEAD, 4.8*32)
194	REAR BOTTOM LID
229	EXTRA BOTTOM SUPPORT
250	GAS-ON-GLASS HOB IGNITOR HOLDER
251	SIDE PANEL SUPPORT BRACKET
292	SCREW,S,(YSB,3.9X32,K,ST)
294	WASHER
318	WHEEL (FREESTANDING COOKER)
398	TERMINAL BOX COVER PLASTIC
409	ANTI-TIP BRACKET (GROUND TYPE)
410	ANTI-TIP BRACKET HOLDER
531	FLANGED NUT
560	ANTI-TIP BRACKET (WALL TYPE)
624	BOLT,AKB,M5X77,AA8,A3K

\*The exploded views given in this document are generic.They include all possible versions of the product.For specific part codes,please refer to the born list of regarding model.

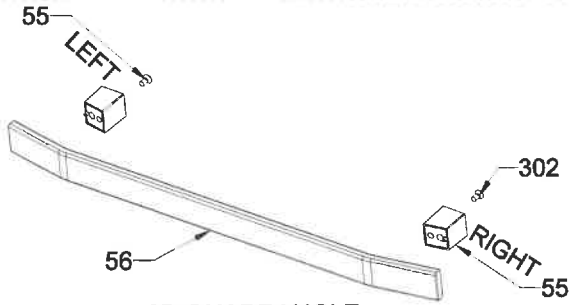
OVEN DOOR HANDLES (OPTIONAL)



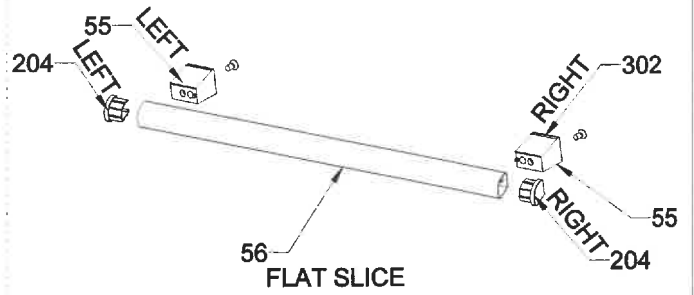
CURVED QUADRANGLE



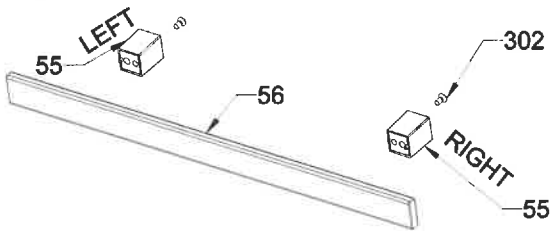
ARC QUADRANGLE



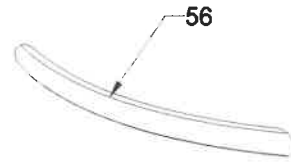
3D QUADRANGLE



FLAT SLICE



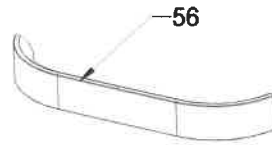
FLAT QUADRANGLE



ELLIPSE ARC



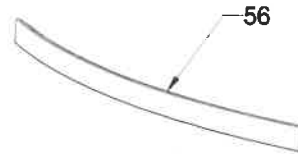
D PROFILE ARC, ELECTROLUX



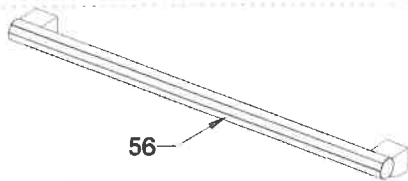
BOW



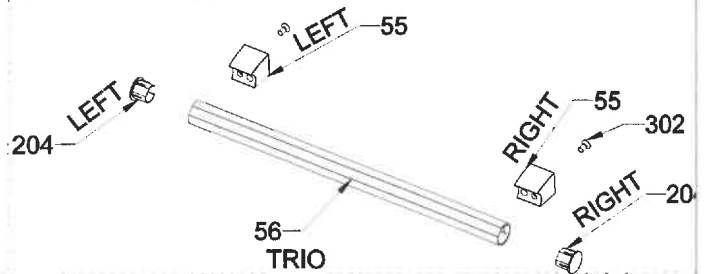
RUSTIK RISUS



D PROFILE ARC



METALUX



TRIO



56

TROY



56

VERO



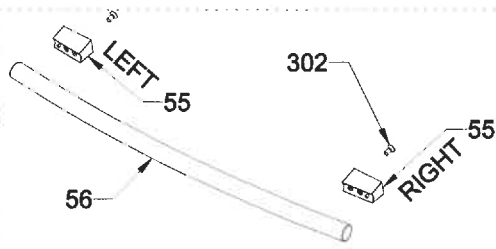
56

CYLINDER



56

JUNO VESTEL ONLY



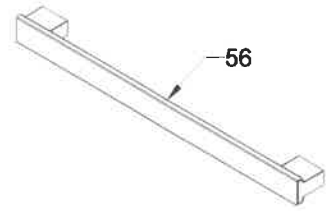
56

LEFT

302

RIGHT

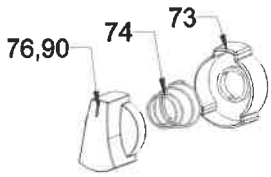
ARC TUBE



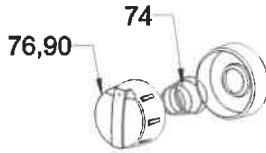
56

TITAN VESTEL & SHARP ONLY

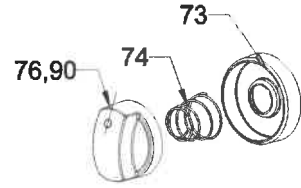
**KNOBS ( NEW FREETANDING OVEN ONLY - OPTIONAL )**



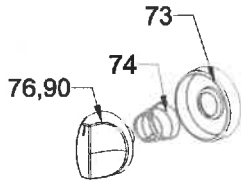
**DELTA RING**



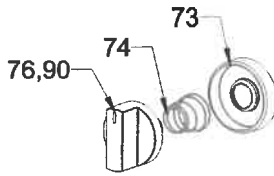
**ANTERO**



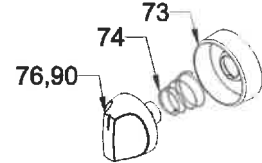
**ECLIPSE RING**



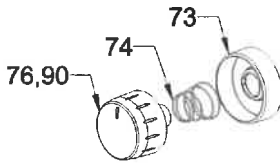
**GAMA RING**



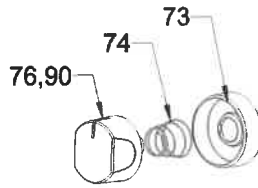
**NORD RING**



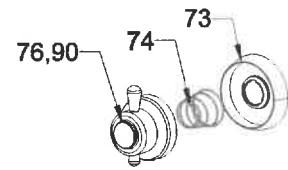
**PELGIRIM**



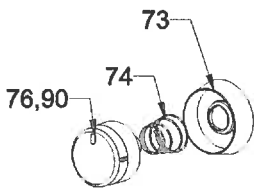
**OMEGA**



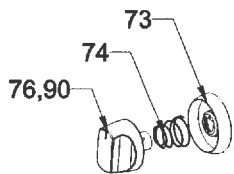
**RIMO RING**



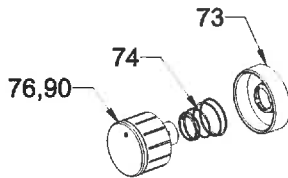
**RUSTIK RISUS RING**



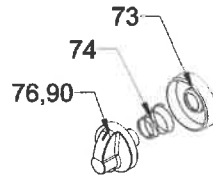
**SIGMA**



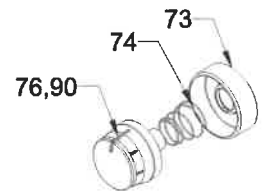
**TRIO**



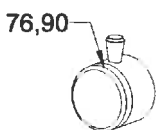
**SMALL MACRO RING**



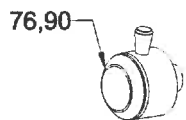
**VARIO RING**



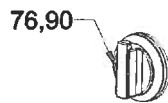
**SPEKTRUM**



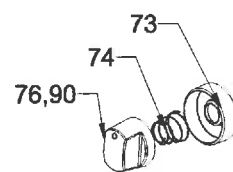
**AGA CLASSIC ONLY**



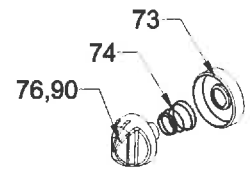
**AGA KITCHENER ONLY**



**AGA PROFESSIONAL ONLY**



**VESTA**



**ZETA RING**