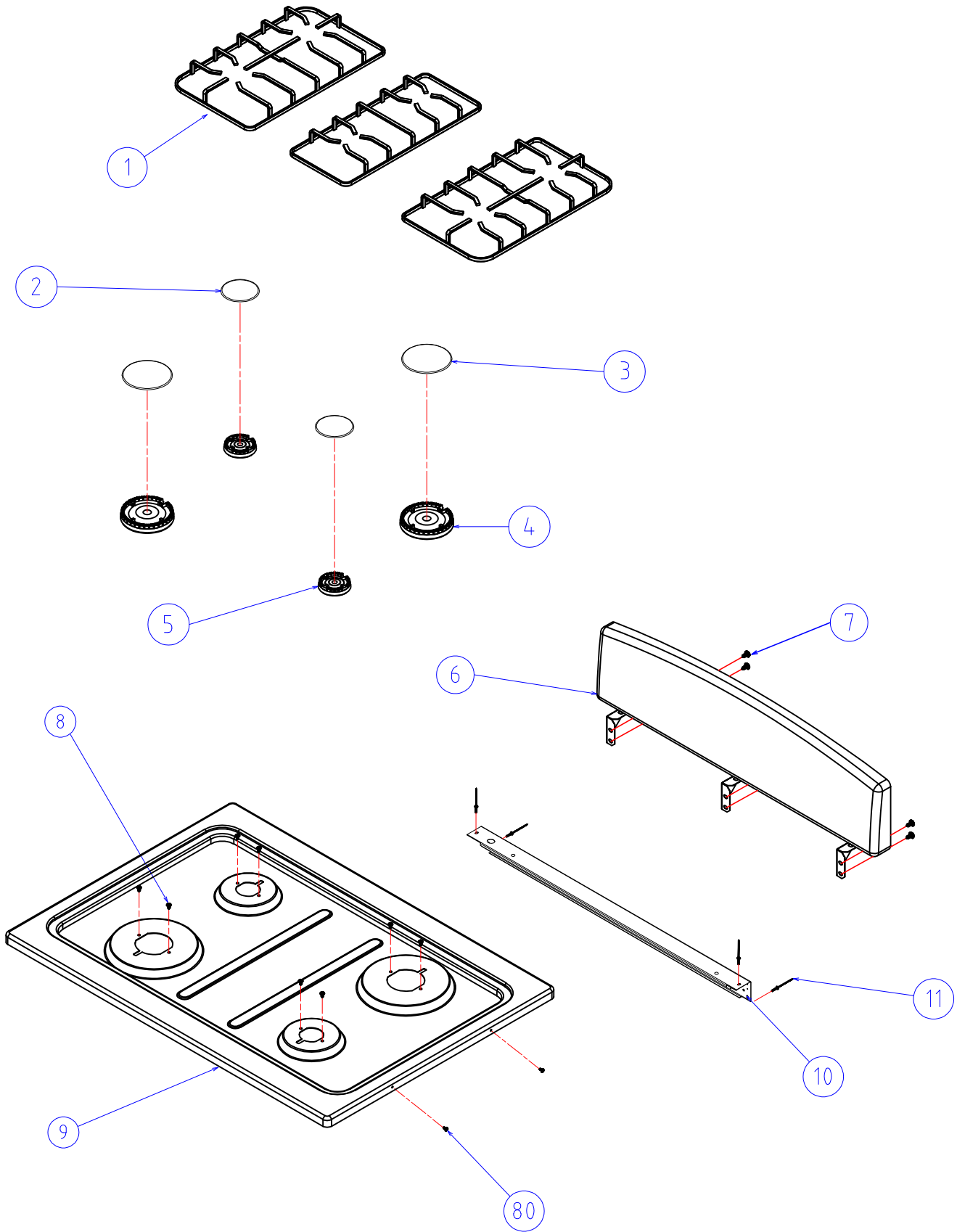
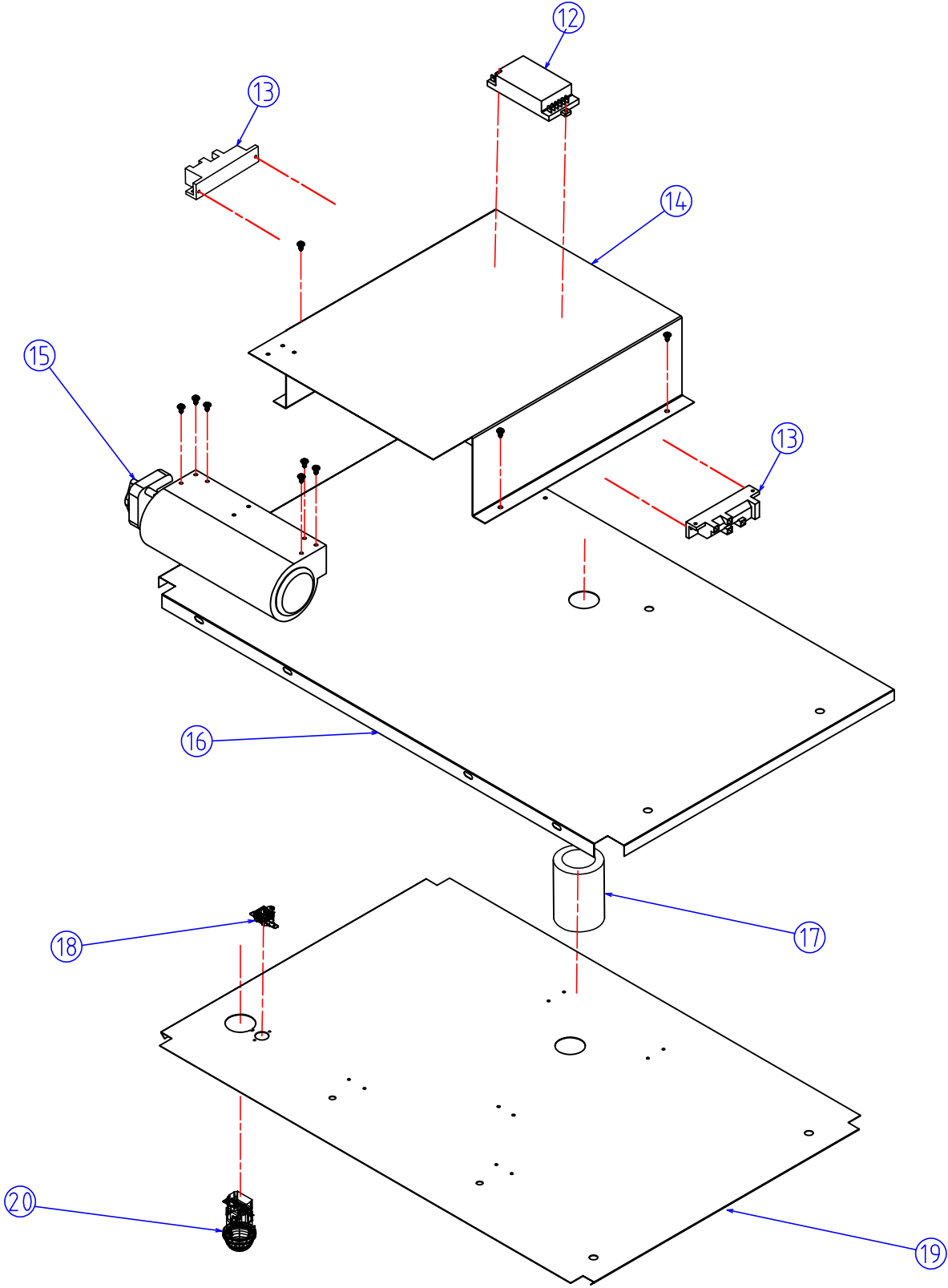


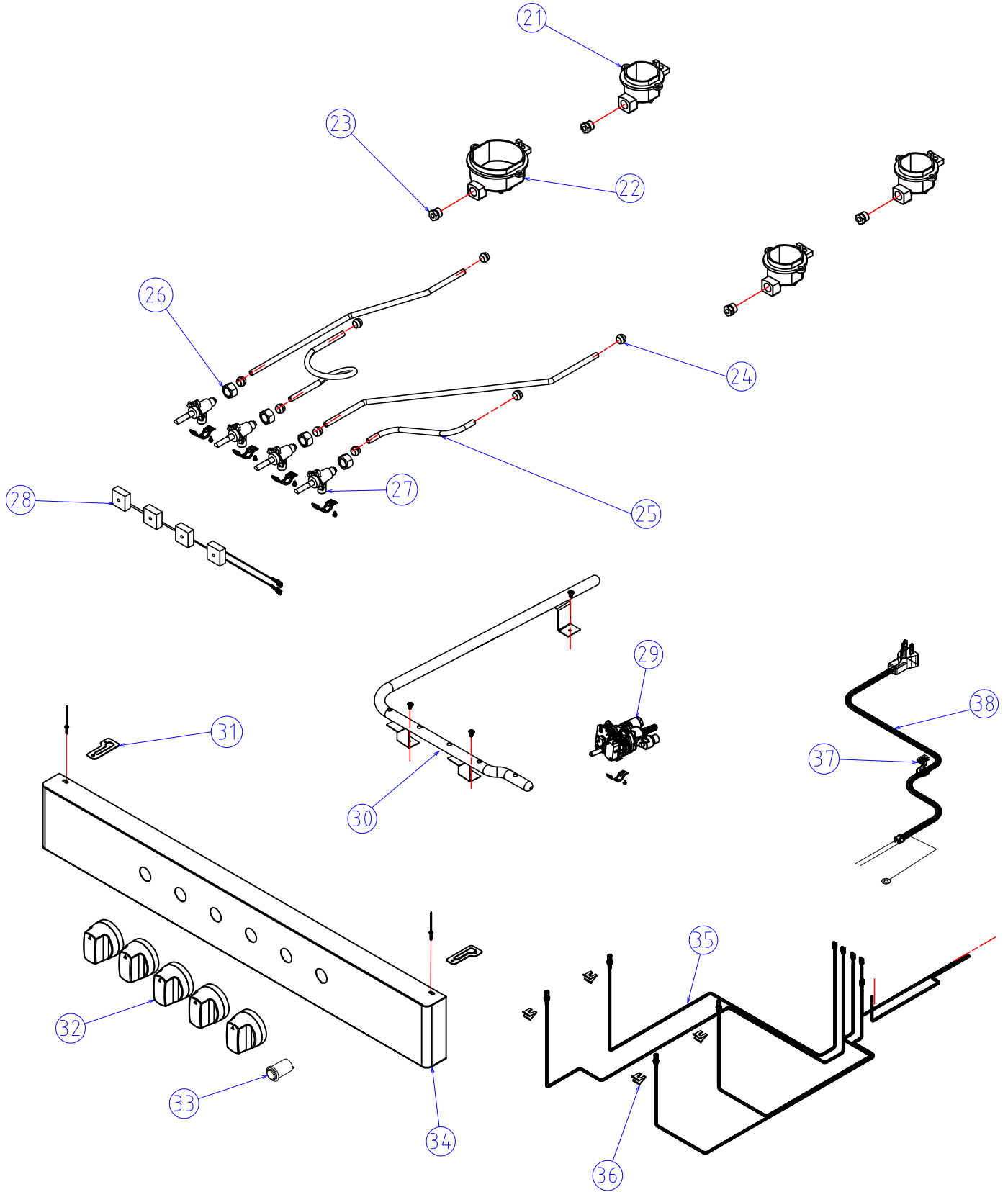
# SUPERIOR PART - EXPLODED VIEW



# UPPER INNER PART - EXPLODED VIEW

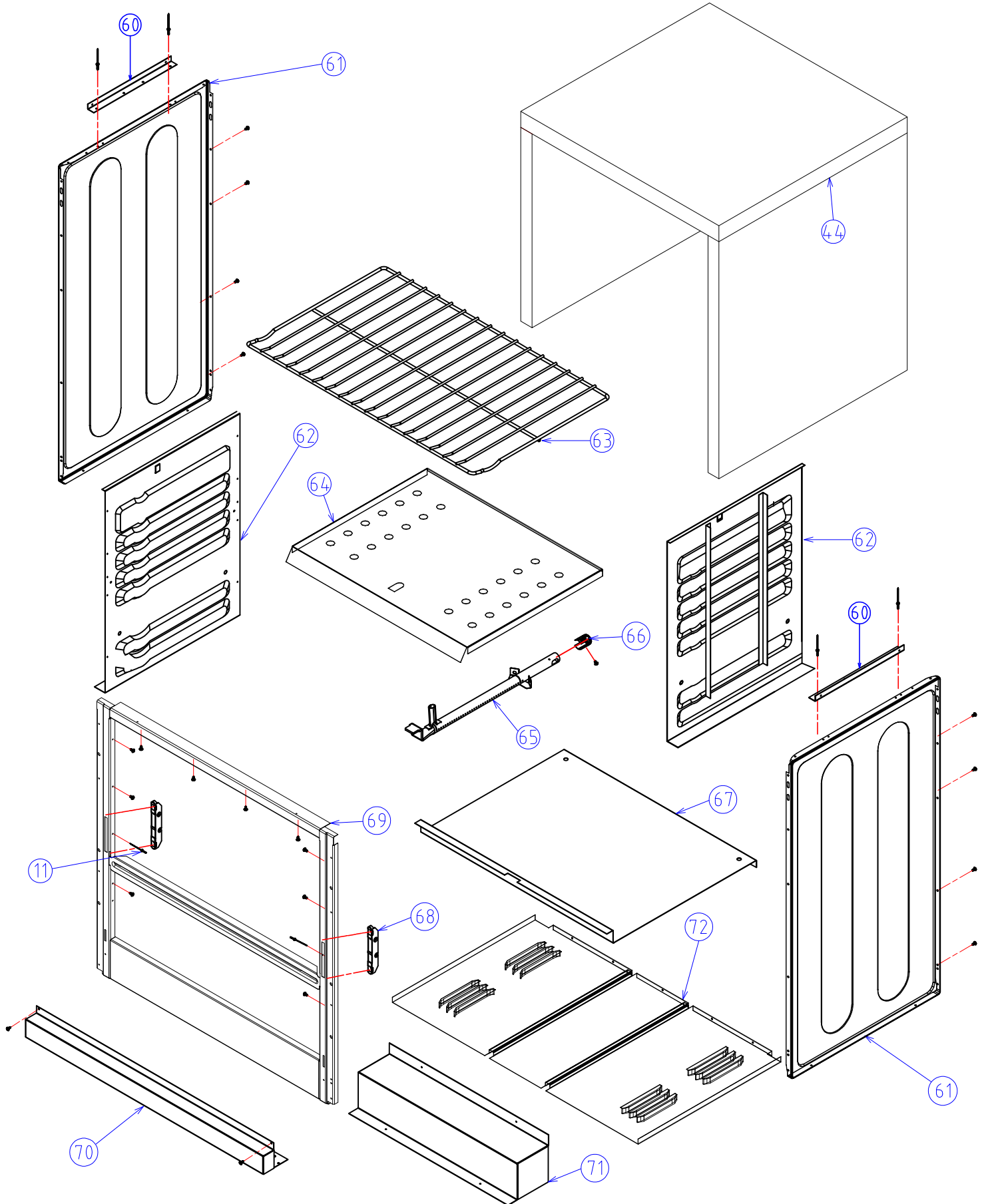


# COMBUSTION SYSTEM - EXPLODED VIEW





# OVEN - EXPLODED VIEW



30" RANGE - 4 BURNERS

DRAWER: BRAYAN L

VERSION: 1

PAGE 5 OF 6

# BACK SIDE - EXPLODED VIEW

