



User Manual

MANUAL DEL USUARIO

EL4KAMZ4317

EL4KAMZ5017

EL4KAMZ5517

EL4KAMZ6517

CONTENTS

Important Safety Instructions	2
Safety Information	3
Preparation	4
What's Included	4
Front View	5
Rear View	6
Installing the Stand	7
Remote Control	8
Connecting External Devices	9
Set Up	10
Customizing TV Settings	11
Features	13
Technical Specs	14
Parental Control	15
Troubleshooting	17
FCC	18
Manual Del Usuario	19

IMPORTANT SAFETY INSTRUCTIONS

- **Read these instructions** – All the safety and operating instructions should be read before this product is operated.
- **Keep these instructions** – The safety and operating instructions should be retained for future reference.
- **Heed all warnings** – All warnings on the appliance and in the operating instructions should be adhered to.
- **Follow all instructions** – All operating and use instructions should be followed.
- **Do not use this apparatus near water** – The appliance should not be used near water or moisture – for example, in a wet basement or near a swimming pool, and the like.
- Clean only with dry cloth.
- **Do not block any ventilation openings.** Install in accordance with the manufacturer's instructions.
- **Do not** install near any heat sources such as radiators, heat registers, stoves, or other apparatus (including amplifiers) that produce heat.
- **Do not** defeat the safety purpose of the polarized or grounding-type plug. A polarized plug has two blades with one wider than the other. A grounding-type plug has two blades and a third grounding prong. The wide blade or the third prong are provided for your safety. If the provided plug does not fit into your outlet, consult an electrician for replacement of the obsolete outlet.
- Protect the power cord from being walked on or pinched particularly at plugs, convenience receptacles, and the point where they exit from the apparatus.
- Only use attachments/accessories specified by the manufacturer.
- Use only with the cart, stand, tripod, bracket, or table specified by the manufacturer, or sold with the apparatus. When a cart is used, use caution when moving the cart/apparatus combination to avoid injury from tip-over.



- Unplug this apparatus during lightning storms or when unused for long periods of time.
- Refer all servicing to qualified service personnel. Servicing is required when the apparatus has been damaged in any way, such as the power-supply cord or plug is damaged, liquid has been spilled or objects have fallen into the apparatus, the apparatus has been exposed to rain or moisture, does not operate normally, or has been dropped.
- Please keep the unit in a well-ventilated environment.

WARNING: To reduce the risk of fire or electric shock, do not expose this apparatus to rain or moisture. The apparatus should not be exposed to dripping or splashing. Objects filled with liquids, such as vases should not be placed on apparatus.

WARNING: The batteries shall not be exposed to excessive heat such as sunshine, fire or the like.

WARNING: The main plug is used as disconnect device, the disconnect device shall remain readily operable.

WARNING: To reduce the risk of electric shock, do not remove cover (or back) of TV as there are no user-serviceable parts inside. Refer servicing to qualified personnel.



This lightning flash with arrowhead symbol within an equilateral triangle is intended to alert the user to the presence of non-insulated "dangerous voltage" within the product's enclosure that may be of sufficient magnitude to constitute a risk of electric shock.



The exclamation point within an equilateral triangle is intended to alert the user to the presence of important operating and maintenance instructions in the literature accompanying the appliance.



This equipment is a Class II or double insulated electrical appliance. It has been designed in such a way that it does not require a safety connection to electrical earth.



This product contains electrical or electronic materials. The presence of these materials may, if not disposed of properly, have potential adverse effects on the environment and human health. Presence of this label on the product means it should not be disposed of as unsorted waste and must be collected separately. As a consumer, you are responsible for ensuring that this product is disposed of properly.

-Minimum 5cm distances around the apparatus for sufficient ventilation;

-The ventilation should not be impeded by covering the ventilation openings with items, such as newspapers, table-cloths, curtains, etc;

-No naked flame sources, such as lighted candles, should be placed on the apparatus;

- Attention should be drawn to the environmental aspects of battery disposal.

SAFETY INFORMATION

To ensure reliable and safe operation of this equipment, please carefully read all the instructions in this user guide, especially the safety information below.

Electrical Safety

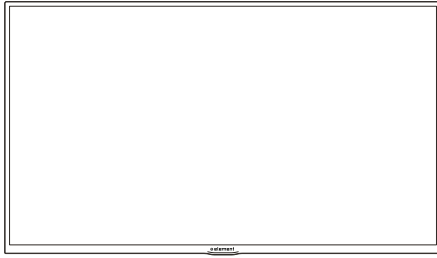
- The TV set should only be connected to a main power supply with voltage that matches the label at the rear of the product.
- To prevent overload, do not share the same power supply socket with too many other electronic components.
- Do not place any connecting wires where they may be stepped on or tripped over.
- Do not place heavy items on any connecting wire, which may damage the wire.
- Hold the main plug, not the wires, when removing from a socket.
- When not using the television for long periods, turn off the power.
- During a thunderstorm unplug the television.
- Do not allow water or moisture to enter the TV or power adapter. Do not use in wet, moist areas, such as bathrooms, steamy kitchens or near swimming pools.
- Pull the plug out immediately, and seek professional help if the main plug or cable is damaged, liquid is spilled onto the set, if the TV set is accidentally exposed to water or moisture, if anything accidentally penetrates the ventilation slots or if the TV set does not work normally. Do not remove the safety covers. There are no user serviceable parts inside. Trying to service the unit yourself is dangerous and may invalidate the product's warranty. Qualified personnel must only service this apparatus.
- To avoid a battery leak, remove batteries from the remote control when the remote is not in use for a long period, or when the batteries are exhausted.
- Do not break open or throw exhausted batteries into a fire.

Physical Safety

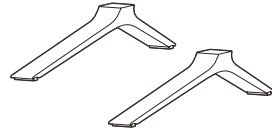
- Do not block ventilation slots in the back cover. You may place the TV in a cabinet, but ensure at least 5cm (2") clearance all around.
- Do not tap or shake the TV screen, or you may damage the internal circuits. Take good care of the remote control.
- To clean the TV use a soft dry cloth. Do not use solvents or petroleum based fluids.
- Do not install near any heat sources such as radiators, heat registers, stoves or other apparatus (including amplifiers) that produce heat.
- Do not defeat the safety purpose of the polarized or grounding-type plug. A polarized plug has two blades with one wider than the other. A grounding plug has two blades and a third grounding prong, the wide blade, or the third prong is provided for your safety. If the provided plug does not fit into your outlet, consult an electrician for replacement of the obsolete outlet.
- Protect the power cord from being walked on or pinched particularly at plugs.
- Unplug the apparatus during lightning storms or when unused for long periods.
- Refer all servicing to a qualified service personnel. Servicing is required if the apparatus does not operate normally or if the apparatus, including the power supply cord or plug, has been damaged in any way.
- Servicing is also required if liquid has been spilled, or objects have fallen into the apparatus; when the apparatus has been exposed to rain or moisture; or if the apparatus has been dropped.
- Always connect your television to a power outlet with protective ground connection.

PREPARATION

What's Included



element • **amazon fire TV**
EDITION



stand



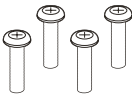
User Manual



Quick Start Guide



Voice Remote
with Amazon Alexa

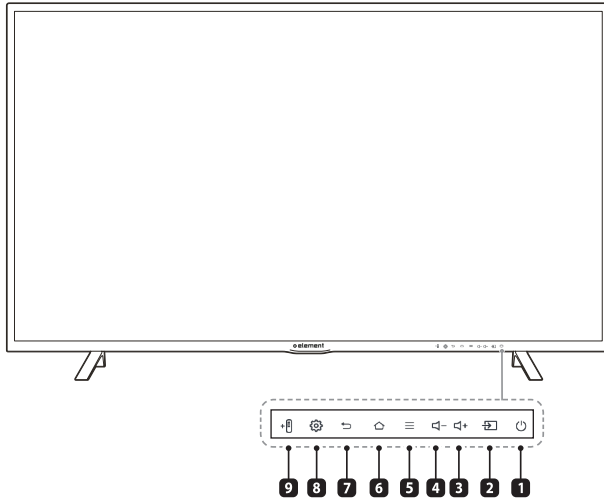


Screws
screws in kind prevail



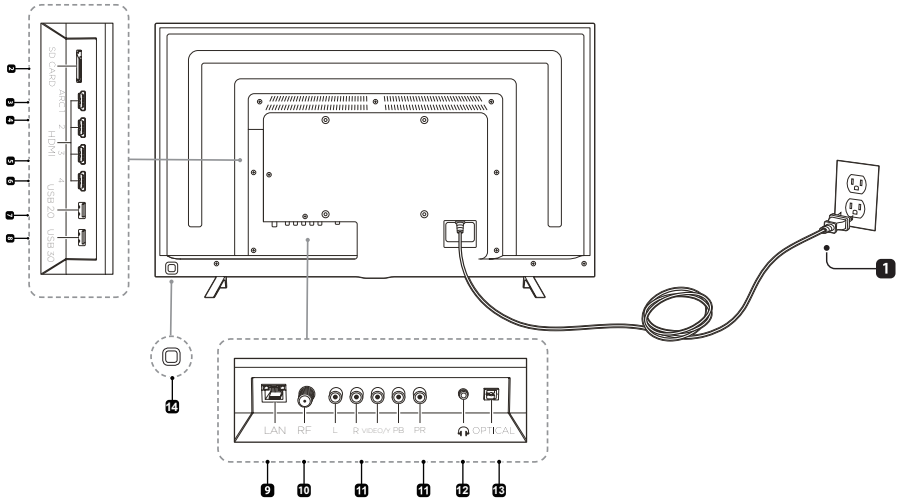
AAA Batteries

Front View



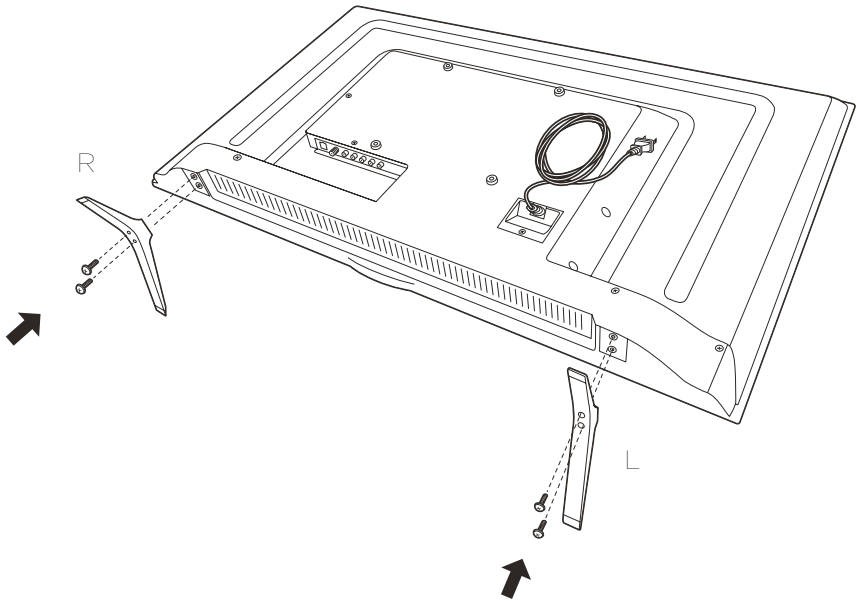
1. **Power**
Switch between On and Standby mode
2. **Inputs**
Navigates to the Inputs menu
3. **Volume up**
4. **Volume down**
5. **Menu**
Access additional features when you see this icon on screen. For example, when adjusting the volume press the menu key to Mute the TV volume
6. **Home**
Navigates to the Element Fire TV Edition Home screen
7. **Back**
Navigates to the previous screen or closes the current window
8. **Quick Settings**
Access the quick settings menu to adjust TV audio/video settings, set a sleep timer and more
9. **Add Compatible Bluetooth Remotes.**
Pair a new compatible remote with your TV.

Rear View



- | | |
|--|--|
| <p>1. Power Cord
Connect to an AC power outlet</p> <p>2. SD CARD
Add up to 128GB of additional storage for apps and games</p> <p>3. HDMI 1 with ARC (Audio Return Channel) support and HDCP 2.2.
Connect this HDMI port to an Audio Video Receiver or other multimedia device that supports ARC.</p> <p>4. HDMI 2 with HDCP 2.2 support.
Connect this port to a multimedia device.</p> <p>5. HDMI 3 with HDCP 2.2 support
Connect this port to a multimedia device.</p> <p>6. HDMI 4 with HDCP 2.2 support
Connect this port to a multimedia device.</p> | <p>7. USB 2.0 Port</p> <p>8. USB 3.0 Port</p> <p>9. LAN Connection
Connect this port to your router with an Ethernet cable.</p> <p>10. RF
Connect to an antenna/cable to receive over the air/cable broadcasts.</p> <p>11. Composite or Component In
Connect to AV devices with composite or component (Y/Pb/Pr) video output sockets. Connect the Audio In (L/R) to the devices AUDIO OUT sockets.</p> <p>12. Headphone Jack
Connect to your headphones</p> <p>13. Optical Output
Connect a digital sound system to this jack.</p> <p>14. Directional Controller
Navigates the TV interface</p> |
|--|--|

■ Installing the Stand



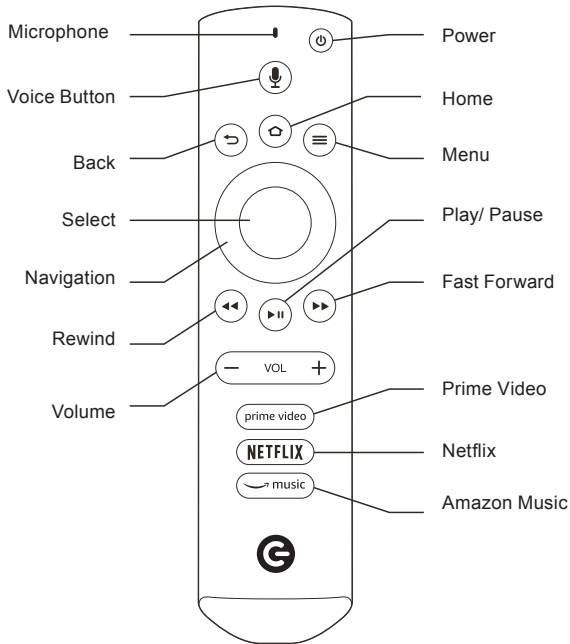
1. Securely attach the stands to your TV

Carefully remove the TV from the box and place it face down on a flat, soft surface to prevent any damage or scratches to the screen. You can also use the packaging material as a cushion between the surface and the screen. Align the stands with the screw holes on the base of the TV. Secure the stands to the TV using the included screws. Turn the TV upright and place it in the desired location.

Note:

If you plan to mount your TV on a wall, do not install the feet. Use the screw holes in the back of the TV to secure the TV to the wall mount per wall mount manufacturer's instructions.

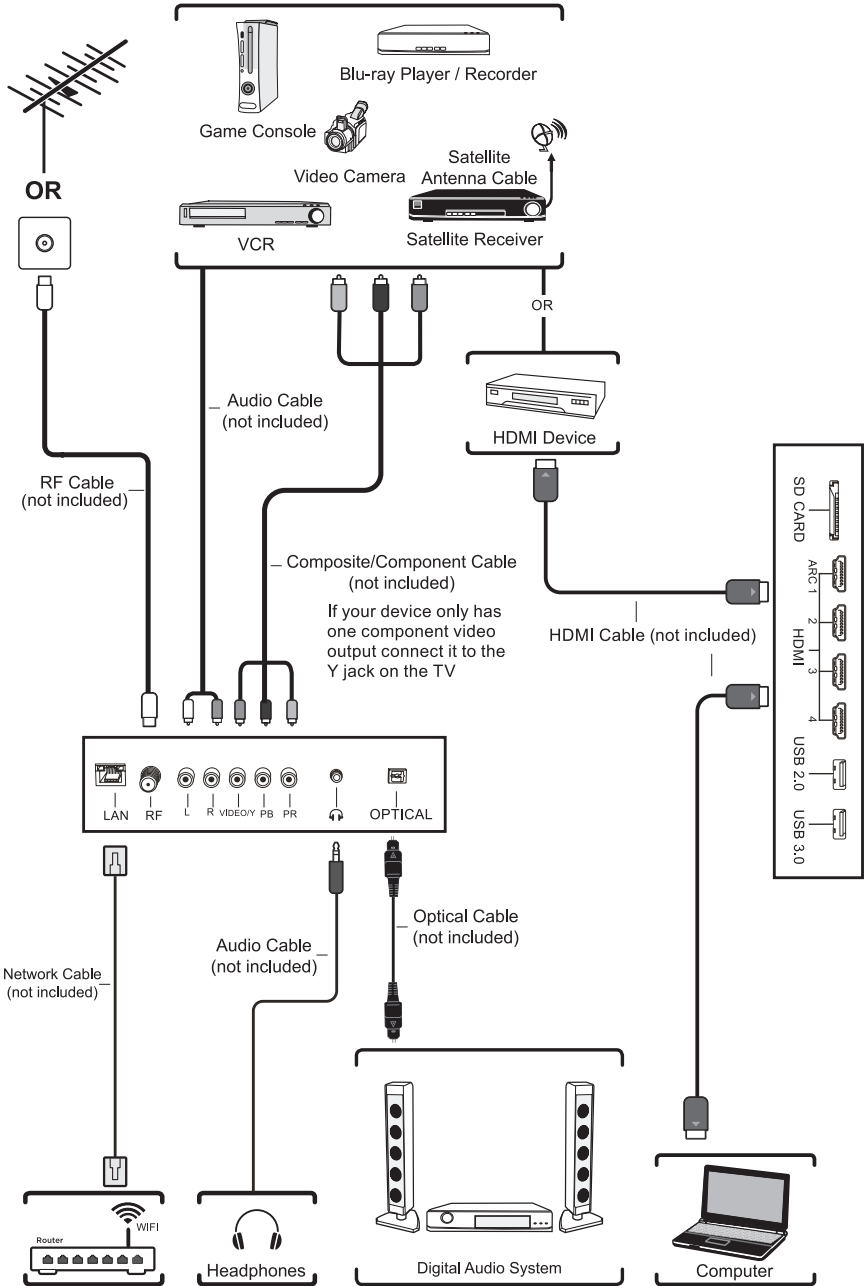
Remote Control




**Voice Remote
with Amazon Alexa**


Tip: For fast access to TV quick settings press and hold  for 3 seconds.

CONNECTING EXTERNAL DEVICES



SETUP

Once you've connected your devices to your television and plugged it in, insert the included AAA batteries into the back of the remote and press the  "power" button on the remote. Your television will start and after a few seconds you will be prompted to pair your remote with your television. Pairing your remote to your television is necessary because the remote uses Bluetooth to send most button commands and voice commands to your television.

If your television doesn't find your remote, remove and reinsert the batteries in your remote. The remote should automatically pair with your TV. If your remote still doesn't pair with your TV press and hold the  button on your remote for 10 seconds while your television is searching for your remote.

Once you've paired your remote, follow the on-screen instructions to set up your TV.

Connect your TV to the Internet and sign in with your Amazon account to use voice commands with your voice remote and to enjoy thousands of movies and TV episodes, songs, apps, and games on your TV.

If you want to add an antenna to receive over-the-air channels, please go to Settings → Inputs.

Your Element Fire TV will periodically update with new features and functionality. For help using the latest features and to see what's available visit www.amazon.com/deviceservices/support

About your Element Voice Remote with Alexa

Simply press and hold the Voice button and speak. Release the button when you are done speaking. You can use your voice to change channels or search for movies, TV shows, actors, directors, apps, games, and more.

Simply say:


- Play *The Man in the High Castle*
- Search for *Transparent*
- Launch Netflix
- Find comedy movies

To learn more about voice commands you can use with your Element voice remote with Alexa, visit www.amazon.com/deviceservices/support.

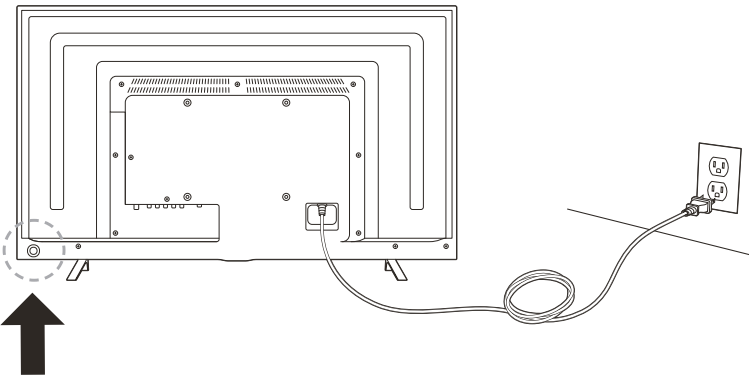
Even better with Amazon Prime

Amazon Prime members get unlimited access to thousands of movies and TV episodes with Prime Video, including award-winning originals. Plus, millions of songs with Prime Music and unlimited photo storage with Prime Photos.

CUSTOMIZING TV SETTINGS

- The most common TV settings can be accessed by pressing the  icon for three seconds. After 3 seconds a menu will appear on the right side of the screen. Use the circular ring on the remote to navigate to the appropriate action.
- You can control your Element Fire TV Edition using the the included remote, the Fire TV Remote app, or the directional controller on the back of the TV. Download the Fire TV Remote App to your iOS, Android or Fire OS device by visiting the appropriate app store for your device. The directional navigation controller is on the back of the TV as shown below.

Directional Navigation Location



Directional Navigation Key.
Press the button to select.



Press and hold  for 3 seconds to access:

- 1. Channel Guide**
Access to the channel guide only appears if you've connected an antenna and performed a channel scan. To initiate a channel scan go to Settings → Inputs → Antenna .
- 2. Inputs**
Navigate to the input selection screen.
- 3. Apps**
Navigate to your apps & games library
- 4. Sleep Timer**
Sets a timer to automatically turn off the TV in the selected number of minutes.
- 5. Picture**
Adjust picture settings for the current input, or Fire TV experience and apps
- 6. Sound**
Adjust the sound settings for the selected input, or Fire TV experience and apps

Additional TV Settings can be found by navigating to Settings on the Home Screen.

Add Bluetooth Remotes, Game Controllers, Headphones, Keyboards and Mice You can add compatible bluetooth game controllers, headphones, keyboards and mice in Settings → Controllers & Bluetooth Devices

Software Updates

When your Element Fire TV Edition is connected to the internet via a Wi-Fi or Ethernet connection it will automatically check for and download updates in the background. You will be notified when an update is ready to install when you power off your television. To manually check for updates visit Settings → Device → About → Check for System Update

Additional information about your Element Fire TV Edition can be found
<http://www.amazon.com/deviceservices/support>

MORE FEATURES

Voice Interaction

Use your voice to search for content and interact with Alexa. For more information, go to www.amazon.com/deviceservices/support

Apps & Games

Get apps and games from the Amazon Appstore.

Music

Access the Amazon Music app and many other third-party music apps and services. You can also purchase music from the Amazon Digital Music Store with Alexa.

Live TV Programming Guide

With a compatible HD Antenna, get free over the air broadcasts. Sign in with your Amazon account to get an advanced programming guide that includes up to 2 weeks worth of program information. The Element Fire TV Edition will even allow you to pause live TV for up to 2 minutes.

TECHNICAL SPECIFICATIONS

Internet Connection	Wired or Wi-Fi networks
Included Remote	Voice Remote with Amazon Alexa
Video	Panel size: 43/50/55/65 inch diagonal Display resolution: 2160P Panel resolution: 3840X2160 Refresh Rate: 60Hz
Storage Space	16 GB 3 GB memory SD Card slot for external storage option, up to 128 GB.
HDMI	4 ports, Up to 2160P All ports are HDCP 2.2 compliant HDMI 1 supports ARC
Audio Output	HDMI 1 ARC (Audio Return Channel) Optical Audio out Headphone Jack Bluetooth Audio
Compatible USB Devices	Some Xbox 360 wired gaming controllers Some third-party USB remotes and game controllers Keyboards and computer mouse devices
Compatible Bluetooth 4.1 Devices	Some third party Bluetooth game controllers Headphones Keyboards Computer mouse devices Some third-party remotes
VESA Wall Mount interface	VESA Wall Mount interface 43, 50, 55 inch: 200*200mm 65 inch: 400*200mm

Wall Mounting Screws

Mount the VESA bracket using M6*12mm*4pcs metric threaded screws (Just supplied with 65 inch models).

WARNING: To prevent injury, this apparatus must be secured in accordance with the installation instructions.

WARNING: Never place a television set in an unstable location. A television set may fall, causing serious personal injury or death. Many injuries, particularly to children, can be avoided by taking simple precautions. Only use cabinets or stands recommended by the manufacturer of the television set. Only use furniture that can safely support the television set. Ensure the television set is not overhanging the edge of the supporting furniture. Do not place the television set on tall furniture (for example, cupboards or bookcases) without anchoring both the furniture and the television set to a suitable support. Do not place the television set on cloth or other materials that may be located between the television set and supporting furniture. Educate children about the dangers of climbing on furniture to reach the television set or its controls. If your existing television set is being retained and relocated, the same considerations as above should be applied.

PARENTAL CONTROL

Parental Controls

Parental controls can be enabled, disabled or adjusted in Settings → Preferences → Parental Controls. For more information about parental controls, please visit www.amazon.com/deviceservices/support

Overview

Parental controls on your TV give you the option to block playback of over-the-air live TV content from certain ratings categories. Parental controls relating to over-the-air live TV content use the Motion Picture Association of America (MPAA) ratings classification system and the TV Guidelines Organization TV Parental Guidelines as the basis for its ratings categories. To view your options, go to Settings > Preferences > Parental Controls on your TV. For more information, visit www.amazon.com/deviceservices/support.

The V-Chip: Options to Restrict What Your Children Watch on TV

www.fcc.gov

The V-chip allows parents or other caregivers to block programming on their TVs that they don't want children to watch. Most programs are assigned a rating based on parental guidelines established by the TV industry. The ratings provide information about the content and age-appropriateness of most TV programs, except news, sports and unedited movies on premium cable channels.

Parents can program the V-chip to block programs based on these ratings, which include two elements: an age-based rating that provides guidance about the age group for which a program is appropriate, and content descriptors indicating that a program may contain suggestive dialogue (D), coarse or crude language (L), sexual situations (S), or violence (V). The ratings are:

• TV Parental Guideline Rating System

Rating		Meaning
TV-Y	All Children	Programs aimed at a very young audience, including children from ages 2-6
TV-Y7	Directed to Older Children	Programs most appropriate for children age 7 and up.
TV-Y7-FV	Directed to Older Children	Programming with fantasy violence that may be more intense or more combative than other programming in the TV-Y7 category.
TV-G	General Audience	Programs suitable for all ages; these are not necessarily children's shows.
TV-PG	Parental Guidance Suggested	Parental guidance is recommended; these programs may be unsuitable for younger children.
TV-14	Parents Strongly Cautioned	These shows may be unsuitable for children under 14.
TV-MA	Mature Audience Only	These programs are intended to be viewed by mature, adult audiences and may be unsuitable for children under 17

Film Ratings, Motion Picture Association of America

www.mpa.org

The Classification and Rating Administration (“CARA”) issues ratings for motion pictures exhibited and distributed commercially to the public in the United States, with the intent to provide parents information concerning the content of those motion pictures, to aid them in determining the suitability of individual motion pictures for viewing by their children. CARA will rate any motion picture at any time before or after it is exhibited or distributed in the United States.

• Motion Picture Association of America (MPAA) Rating System

Rating		Meaning
MV-G	General Audiences	General Audiences. For all ages.
MV-PG	Parental Guidance Suggested	Parental Guidance Suggested. Some material may not be suitable for children.
MV-PG13	Parents Strongly Cautioned	Parents Strongly Cautioned. Some material may be inappropriate for children under 13.
MV-R	Restricted	Under 17 requires accompanying parent or adult guardian.
MV-NC-17	No children under age 17	Adults only. Not suitable for 17 and under.

Note: The V-Chip will automatically block certain categories that are "more restrictive." If you block TV-Y category, then all the ratings in the TV Parental Guideline Rating System will be automatically blocked. Similarly, if you block TV-G category, then all the categories in the "young adult" will be blocked (TV-G, TV-PG, TV-14, and TV-MA).

TROUBLESHOOTING

If your TV does not operate normally or cannot be turned on, please check the following troubleshooting questions. Remember also to check any other connected electronic device, such as DVD or Blu-ray player to pinpoint the problem. If the TV still fails to operate normally, please contact Element technical support: www.elementelectronics.com/support.

The TV does not operate properly

The TV does not respond when pressing any buttons	<ul style="list-style-type: none"> The TV may freeze up during use. Disconnect the power cord from the power socket for a few minutes. Reconnect the power cord and try to operate it again as usual.
TV cannot be switched on	<ul style="list-style-type: none"> Check that the TV is connected to the power supply. Make sure all connected AV devices are switched off before switching on your TV.
The remote control does not work	<ul style="list-style-type: none"> Check to see if there are any objects between the TV and the remote control causing an obstruction. Ensure that you are pointing the remote control directly at the TV. Install new batteries. Remove the batteries from your remote and reinsert to reinitiate pairing with your TV. Hold down the home button on your remote for 10 seconds. Your remote should be rediscovered within 60 seconds. Ensure that the batteries are installed with the correct polarity (+ to +, - to -).
Power is suddenly turned off	<ul style="list-style-type: none"> Check the power of the TV. The power supply maybe interrupted. Check if the sleep timer is set.

The video function does not work

No picture & No Sound	<ul style="list-style-type: none"> Check whether the TV is switched on. Try another channel. The problem may be caused by the broadcaster.
Picture appears slowly after switching on	<ul style="list-style-type: none"> This is normal; the image is muted during the TV startup process. Please contact your service centre if the picture has not appeared after five minutes.
No or poor color or poor picture	<ul style="list-style-type: none"> Adjust the settings in the PICTURE menu. Try another channel. The problem may be caused by the broadcaster. Check if video cables are connected properly.
Horizontal/Vertical bar or picture shaking	<ul style="list-style-type: none"> Check for local interference such as an electrical appliance or power tool.
Poor reception on some channels	<ul style="list-style-type: none"> The station or cable channel may be experiencing problems; tune to another station. Station signal may be weak, reposition the antenna for better reception. Check for sources of possible interference.

TROUBLESHOOTING

Lines or streaks in pictures	<ul style="list-style-type: none">• Check antenna (change the position of the antenna.)
No pictures when connecting HDMI	<ul style="list-style-type: none">• Check if the input source is HDMI1/HDMI2/HDMI3/HDMI4.
The audio function does not work	
Picture OK but no sound	<ul style="list-style-type: none">• Press the VOL +/- buttons.• Sound muted? Press the Volume Up button.• Try another channel. The problem may be caused by the broadcaster.
No output from one of the speakers	<ul style="list-style-type: none">• Adjust the Balance settings in the SOUND menu.

Maintaining

- Do not use your TV in areas that are too hot or too cold, because the cabinet may warp or the screen may malfunction. Your TV works best in temperatures that are comfortable to you.
- Storage temperatures are 32° to 122°F(0° to 50°C)
- Working temperatures are 32° to 95°F(0° to 35°C)
- Do not place your TV in direct sunlight or near a heat source

THE FCC



The FCC Wants You to Know

This device complies with Part 15 of the FCC Rules. Operation is subject to the following two conditions: (1)This device may not cause harmful interference, and(2)This device must accept any interference received, including interference that may cause undesired operation. Changes or modifications not expressly approved by the party responsible for compliance could void the user's authority to operate the equipment.

NOTE: This equipment has been tested and found to comply with the limits for a Class B digital device, pursuant to Part 15 of the FCC Rules. These limits are designed to provide reasonable protection against harmful interference in a residential installation.

This equipment generates uses and can radiate radio frequency energy and, if not installed and used in accordance with the instructions, may cause harmful interference to radio communications. However, there is no guarantee that interference will not occur in a particular installation.

If this equipment does cause harmful interference to radio or television reception, which can be determined by turning the equipment off and on, the user is encouraged to try to correct the interference by one or more of the following measures: 1)Reorient or relocate the receiving antenna; 2)Increase the separation between the equipment and receiver; 3)Connect the equipment into an outlet on a circuit different from that to which the receiver is connected; 4) Consult the dealer or an experienced radio/TV technician for help.

FCC Radiation Exposure Statement

This equipment complies with FCC radiation exposure limits set forth for an uncontrolled environment. This equipment should be installed and operated with minimum distance 20cm between the radiator & your body.

Note: For indoor use only.

ÍNDICE

Instrucciones De Seguridad Importantes	20
Información De Seguridad	21
Preparación	22
Qué Se Incluye	22
Vista Frontal	23
Vista Posterior	24
Instalación Del Soporte	25
Control Remoto	26
Conexión De Dispositivos Externos	28
Configuración	29
Personalización De La Configuración Del Televisor	30
Funciones	31
Especificaciones Técnicas	32
Control Parental	33
Solución De Problemas	35
FCC	36

INSTRUCCIONES DE SEGURIDAD IMPORTANTES

- Lea estas instrucciones: Todas las instrucciones de seguridad y sobre el funcionamiento se deben leer antes de utilizar este producto.
- Guarde estas instrucciones: Las instrucciones de seguridad y sobre el funcionamiento se deben conservar para futuras referencias.
- Tome en cuenta todas las advertencias: Todas las advertencias en el producto y en las instrucciones sobre el funcionamiento se deben cumplir.
- Siga todas las instrucciones: Todas las instrucciones sobre el funcionamiento y uso se deben seguir.
- No use este aparato cerca del agua: El producto no se debe usar cerca del agua o la humedad, por ejemplo, en un sótano húmedo o cerca de una piscina y similares.
- Limpie solo con un paño seco.
- No bloquee las aberturas de ventilación. Instale de acuerdo con las instrucciones del fabricante.
- No lo instale cerca de fuentes de calor, como radiadores, calefactores, estufas u otros aparatos (incluyendo amplificadores) que produzcan calor.
- No anule el propósito de seguridad del enchufe polarizado o con toma de tierra. Un enchufe polarizado tiene dos patas, una más ancha que la otra. Un enchufe con conexión a tierra tiene dos patas y una tercera clavija con conexión a tierra. La pata ancha o la tercera clavija se proporciona para su seguridad. Si el enchufe proporcionado no encaja en el tomacorriente, consulte a un electricista para que reemplace el tomacorriente obsoleto.
- Proteja el cable de alimentación para que no sea pisado o aplastado, especialmente en la parte de los enchufes, receptáculos y en el punto en el que salen del aparato.
- Use solo dispositivos/accesorios especificados por el fabricante.
- Use solo con un carro, base, trípode, soporte o mesa especificados por el fabricante o vendidos con el aparato. En caso de utilizar un carro o un estante, tenga cuidado cuando mueva la combinación de carro/aparato para evitar lesiones si éste se vuelca.



- Desenchufe este aparato durante las tormentas eléctricas o cuando no lo utilice durante períodos de tiempo prolongados.
- Remita todo mantenimiento a personal de servicio calificado. Se requiere servicio cuando el aparato ha sido dañado de cualquier manera, como cuando el cable de alimentación o el enchufe está dañado, se ha derramado líquido o han caído objetos dentro del aparato, o el aparato ha sido expuesto a la lluvia o a la humedad, si no funciona normalmente o se ha caído.
- Mantenga la unidad en un ambiente bien ventilado.

ADVERTENCIA: Para reducir el riesgo de incendio o descarga eléctrica, no exponga este aparato a la lluvia ni a la humedad. El aparato no debe ser expuesto a goteos o salpicaduras. No se deben colocar sobre el aparato objetos llenos de líquido, como floreros.

ADVERTENCIA: Las pilas no se deben exponer a un calor excesivo como el del sol, fuego o similares.

ADVERTENCIA: El enchufe principal se utiliza como dispositivo de desconexión. Por lo tanto, este dispositivo de desconexión debe estar siempre disponible.

Advertencia: Para reducir el riesgo de incendio o descarga eléctrica, no retire la cubierta (o parte posterior) ya que no hay piezas que el usuario pueda reparar. Remita el mantenimiento al personal calificado.



Este símbolo de rayo con punta de flecha dentro de un triángulo equilátero está destinado a alertar al usuario de la presencia de "voltaje peligroso" sin aislamiento dentro de la carcasa del producto que puede ser de suficiente magnitud como para constituir un riesgo de descarga eléctrica.



El signo de exclamación dentro de un triángulo equilátero está destinado a alertar al usuario de la presencia de instrucciones importantes de funcionamiento y mantenimiento en la información que acompaña al aparato.



Este equipo es de Clase II o producto eléctrico de doble aislamiento. Se ha diseñado de tal manera que no requiere una conexión de seguridad de tierra eléctrica.



Este producto contiene materiales eléctricos o electrónicos. La presencia de estos materiales puede, si no se desechan adecuadamente, tener posibles efectos adversos sobre el medioambiente y la salud humana. La presencia de esta etiqueta en el producto significa que no se debe desechar como residuo doméstico y se debe recoger por separado. Como consumidor, es responsable de asegurarse que este producto se desheche adecuadamente.

- 5cm mínimas alrededor del aparato para una ventilación adecuada;
- La ventilación no debe impedirse al cubrir las aberturas de ventilación con objetos como periódicos, manteles, cortinas, etc;
- No hay fuente de llamas, como una vela encendida, se deben colocar sobre el aparato;
- Debe prestarse atención a los aspectos ambientales de la eliminación de la batería.

INFORMACIÓN DE SEGURIDAD

Para garantizar que este equipo tenga un funcionamiento confiable y seguro, lea cuidadosamente todas las instrucciones de esta guía del usuario, especialmente la siguiente información de seguridad.

Seguridad Eléctrica

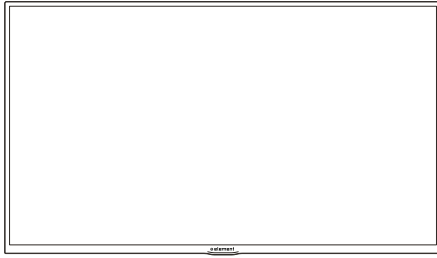
- El televisor solo se debe conectar a una fuente de alimentación principal con el voltaje que coincida con la etiqueta en la parte trasera del producto.
- Para evitar una sobrecarga, no comparta la misma toma de corriente con demasiados componentes electrónicos.
- No coloque los cables de conexión en donde puedan ser pisados o se puedan tropezar con ellos.
- No coloque objetos pesados sobre ningún cable de conexión, ya que puede dañar el cable.
- Sostenga el enchufe principal, no los cables, al retirarlo de un enchufe.
- Cuando no use el televisor durante períodos de tiempo prolongados, desconecte la alimentación.
- Durante una tormenta eléctrica, desconecte el televisor.
- No permita que entre agua o humedad al televisor o al adaptador de corriente. No lo use en áreas mojadas o húmedas, como baños, cocinas humeantes o cerca de piscinas.
- Extraiga el enchufe de inmediato y busque ayuda profesional si el enchufe o el cable se dañan, se ha derramado líquido en el aparato, si el televisor accidentalmente se ha expuesto a agua o humedad, si algo penetra accidentalmente por las ranuras de ventilación o si el televisor no funciona con normalidad. No retire las cubiertas de seguridad. No hay piezas que el usuario pueda reparar. Es peligroso y puede anular la garantía del producto si intenta reparar la unidad usted mismo. Solo el personal calificado debe realizar el mantenimiento de este aparato.
- Para evitar fugas de las pilas, retírelas del control remoto cuando no lo use durante mucho tiempo o cuando se agotan las pilas.
- No abra ni tire las pilas usadas al fuego.

Seguridad Física

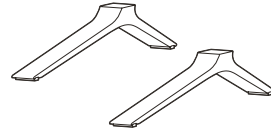
- No bloquee las ranuras de ventilación en la cubierta posterior. Puede colocar el televisor en un mueble, pero asegúrese de que haya 5 cm (2") de espacio por todos lados.
- No golpee ni sacuda la pantalla del televisor, ya que puede dañar los circuitos internos. Cuide bien el control remoto.
- Para limpiar el televisor, use un paño suave y seco. No utilice solventes o fluidos a base de petróleo.
- No lo instale cerca de fuentes de calor, como radiadores, calefactores, estufas u otros aparatos (incluyendo amplificadores) que produzcan calor.
- No anule el propósito de seguridad del enchufe polarizado o con toma de tierra. Un enchufe polarizado tiene dos patas, una más ancha que la otra. Un enchufe con conexión a tierra tiene dos patas y una tercera clavija con conexión a tierra. La pata ancha o la tercera clavija se proporciona para su seguridad. Si el enchufe proporcionado no encaja en el tomacorriente, consulte a un electricista para que reemplace el tomacorriente obsoleto.
- Proteja el cable de alimentación para que no sea pisado o aplastado, especialmente en la parte de los enchufes.
- Desenchufe el aparato durante las tormentas eléctricas o cuando no los utilice durante períodos de tiempo prolongados.
- Remita todo mantenimiento a personal de servicio calificado. Se requiere servicio cuando el aparato no funciona normalmente o si el aparato, incluyendo el cable de alimentación o el enchufe, se ha dañado de alguna manera.
- También se requiere servicio si se ha derramado líquido o han caído objetos dentro del aparato, cuando ha sido expuesto a la lluvia o a la humedad o si se ha caído.
- Siempre conecte el televisor a una toma de alimentación con conexión de protección a tierra.

PREPARACIÓN

Contenido de la Caja



 **element** • 



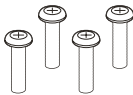
Soportes



Manual del usuario



Guía de inicio rápido



Tornillos

Prevalecen los tornillos en especie

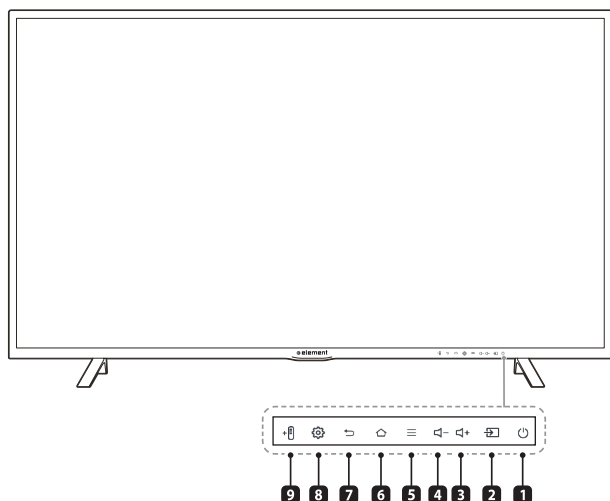


Pilas AAA



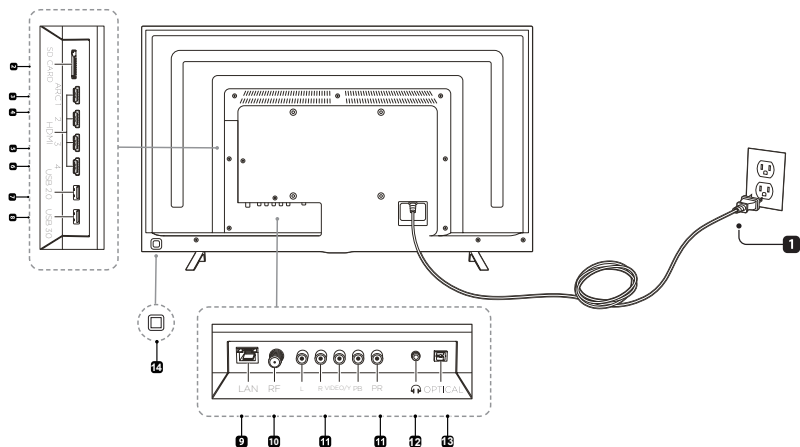
Control remoto por voz con Amazon Alexa

Vista Frontal



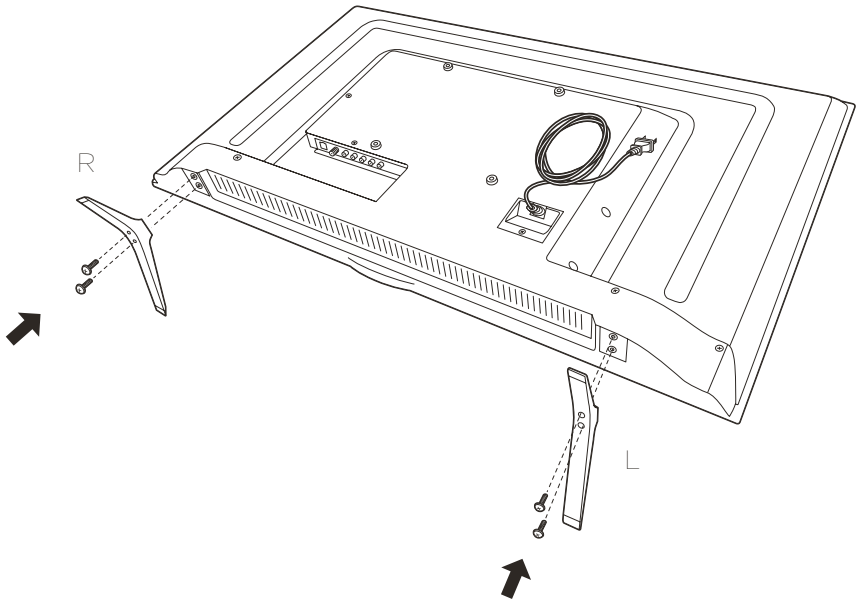
1. **Encendido**
Interruptor entre el modo encendido y de espera.
2. **Inputs**
Navega hacia el menú Entradas.
3. **Aumentar volumen**
4. **Disminuir volumen**
5. **Menú**
Acceda a funciones adicionales cuando vea este ícono en pantalla. Por ejemplo, cuando ajuste el volumen, presione la tecla de menú para silenciar el volumen del televisor.
6. **Inicio**
Navega hacia la pantalla de inicio de Element Fire TV Edition.
7. **Retroceder**
Navega hacia la pantalla anterior o cierra la ventana actual.
8. **Configuración rápida**
Acceda al menú de configuración rápida para ajustar las opciones de audio o video del televisor, definir los valores del temporizador y más.
9. **Agregar controles remotos Bluetooth compatibles**
Vincule un nuevo control remoto compatible con el televisor.

Vista Posterior



- | | |
|---|--|
| <p>1. Cable de Alimentación
Conecte a una toma de alimentación de corriente alterna (CA).</p> <p>2. Tarjeta SD
Agregue hasta 128 GB de almacenamiento adicional para aplicaciones y juegos.</p> <p>3. HDMI 1 compatible con ARC (canal de retorno de audio) y HDCP 2.2
Conecte este puerto HDMI a un receptor de audio y video u otro dispositivo multimedia que admita ARC</p> <p>4. HDMI 2 compatible con HDCP 2.2
Conecte este puerto a un dispositivo multimedia.</p> <p>5. HDMI 3 compatible con HDCP 2.2
Conecte este puerto a un dispositivo multimedia.</p> <p>6. HDMI 4 compatible con HDCP 2.2
Conecte este puerto a un dispositivo multimedia.</p> <p>7. Puerto USB 2.0</p> | <p>8. Puerto USB 3.0</p> <p>9. Conexión LAN
Conecte este puerto a su router con un cable Ethernet.</p> <p>10. RF
Conectar a una antena/cable para recibir sobre las emisiones de aire/cable.</p> <p>11. Tomas compuestas o por componentes
Conecte a dispositivos AV con tomas de salida de video compuestas o por componentes (Y/Pb/Pr). Conecte la entrada de audio (L/R) a las tomas de SALIDA DE AUDIO de los dispositivos.</p> <p>12. Conector para auriculares
Connect to your headphones</p> <p>13. Salida óptica
Conecte un sistema de sonido digital a esta toma.</p> <p>14. Controles de dirección
Navegue por la interfaz del televisor.</p> |
|---|--|

Instalación Del Soporte



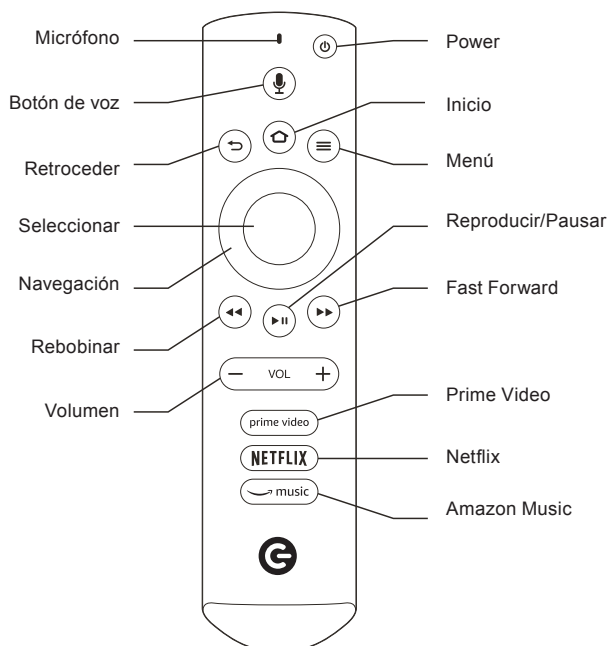
Ajuste los soportes al televisor de manera segura

Saque el televisor de la caja con cuidado y colóquelo con el frente hacia abajo sobre una superficie plana y suave para evitar que se dañe o raye la pantalla. También puede usar el material de empaquetado como protección entre la superficie y la pantalla. Alinee los soportes con los agujeros para tornillos que se encuentran en la base del televisor. Fije los soportes al televisor con los tornillos incluidos. Pare el televisor y colóquelo en la ubicación deseada.


Nota:

Si desea montar su televisor en una pared, no instale los pies. Use los agujeros para tornillos en la parte posterior del televisor para fijarlo al montaje en la pared según las instrucciones del fabricante del montaje.

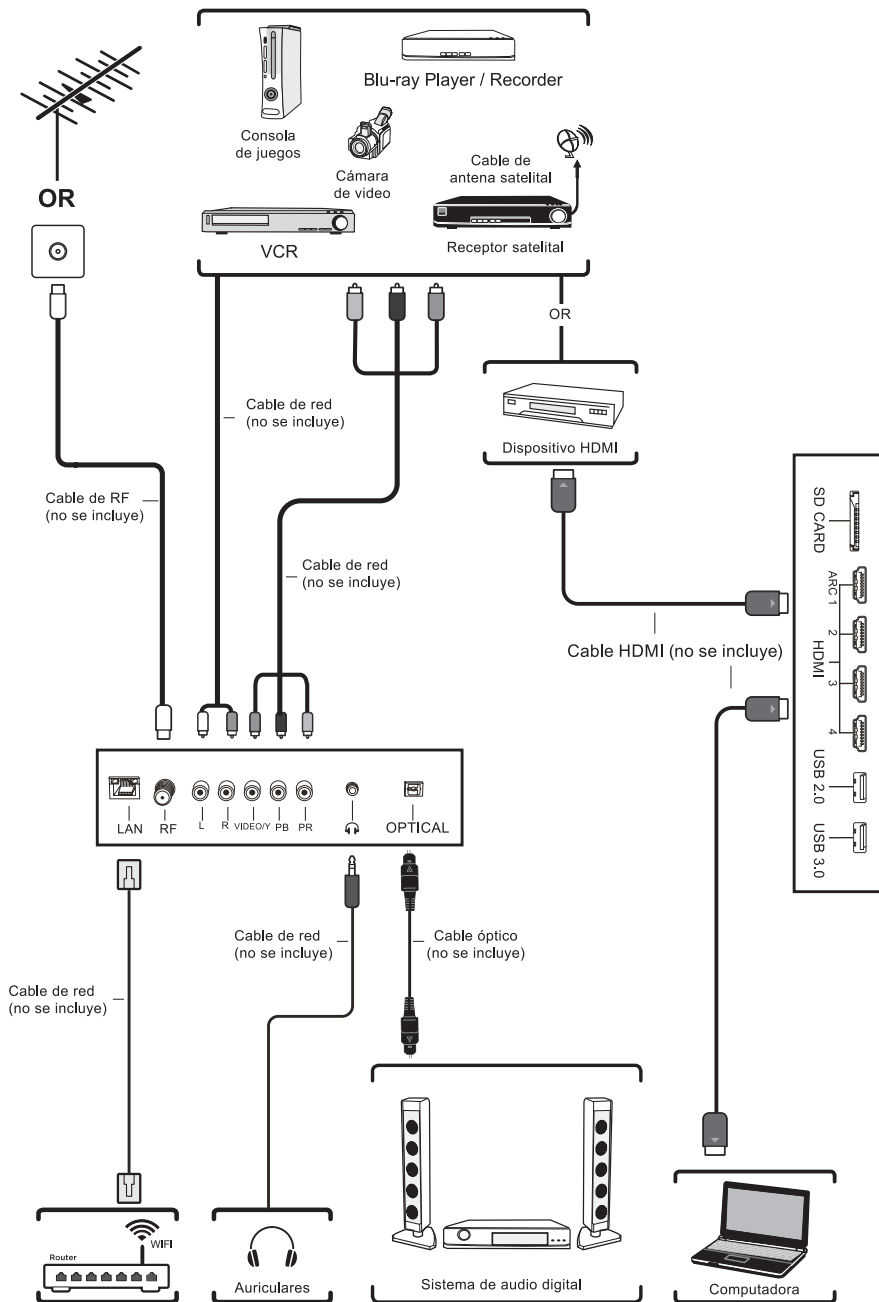
Control remoto




**Control Remoto por
Voz con Amazon Alexa**


Sugerencia: para obtener acceso rápido a la configuración del televisor, mantenga presionado el icono  durante tres segundos.

CONEXIÓN DE DISPOSITIVOS EXTERNOS



CONFIGURACIÓN

Una vez que haya conectado los dispositivos al televisor y lo haya enchufado, inserte las pilas AAA que se incluyen en la parte trasera del control remoto y presione el botón de encendido  del control. El televisor se encenderá y luego de algunos segundos, se le solicitará vincular el control remoto con el televisor. Este paso de vinculación es necesario porque el control usa Bluetooth para enviar la mayoría de los comandos de voz y botones al televisor.

Si el televisor no encuentra el control remoto, extraiga y vuelva a insertar las pilas. El control debería vincularse automáticamente con el televisor. Si luego de esto, el control remoto aún no puede vincularse con el televisor, mantenga presionado el botón  del control durante 10 segundos mientras el televisor busca el control remoto.

Una vez que haya vinculado el control remoto, siga las instrucciones que aparecen en pantalla para configurar el televisor.

Conecte su televisor a Internet e ingrese con su cuenta de Amazon para usar los comandos de voz con tu control remoto de voz y disfrutar de miles de películas y episodios de series de televisión, canciones, aplicaciones y juegos en tu televisor.

Si desea agregar una antena para recibir canales de aire, vaya a Settings → Inputs.

Su televisor Element Fire TV se actualizará periódicamente con nuevas características y funcionalidades. Para obtener ayuda sobre cómo usar las funciones más recientes y consultar el contenido disponible, visite www.amazon.com/deviceservices/support

Acerca de su control remoto por voz Element con Alexa

Simplemente mantenga presionado el botón Voz y hable. Cuando termine de hablar, suelte el botón. Puede usar su voz para cambiar los canales o buscar películas, programas de televisión, actores, directores, aplicaciones, juegos y más.

Simplemente diga lo siguiente:


- Play *The Man in the High Castle*
- Search for *Transparent*
- Launch Netflix
- Find comedy movies

Para aprender más acerca de los comandos de voz que puede usar con su control remoto de voz Element con Alexa, visite www.amazon.com/deviceservices/support.

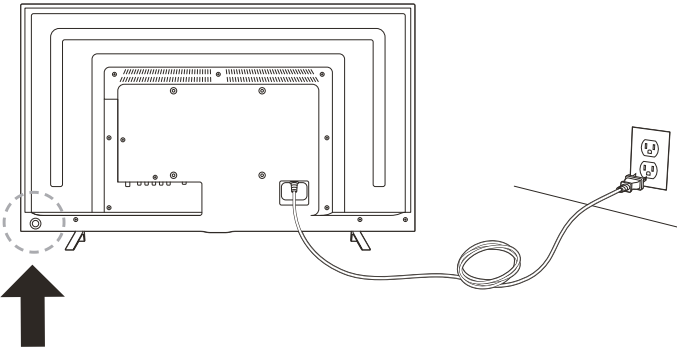
Mucho mejor con Amazon Prime

Los miembros de Amazon Prime obtienen acceso ilimitado a miles de películas y episodios de programas de televisión con Prime Video, incluso programas originales premiados. Además, millones de canciones con Prime Music y almacenamiento de fotos ilimitado con Prime Photos.

PERSONALIZACIÓN DE LA CONFIGURACIÓN DEL TELEVISOR

- Para acceder a las opciones de configuración del televisor más habituales, presione el icono  durante tres segundos. Luego de este tiempo, aparecerá un menú a la derecha de la pantalla. Use el anillo circular del control remoto para navegar hasta la acción correspondiente.
- Puede controlar su televisor Element Fire TV Edition mediante la aplicación Fire TV Remote. Para descargar Fire TV Remote a su dispositivo iOS, Android o Fire OS, visite la tienda de aplicaciones correspondiente para su dispositivo. También puede usar las teclas de navegación direccional en la parte posterior del televisor.

Ubicación De La Navegación Direccional



Tecla de navegación direccional
Presione el botón para seleccionar.



Press and hold  for 3 seconds to access:

1. Guía de canales

El acceso a la guía de canales solo aparece si conectó una antena y realizó una búsqueda de canales. Para iniciar la búsqueda, vaya a Settings → Inputs → Antenna.

2. Entradas

Navega hacia la pantalla de selección de entradas.

3. Aplicaciones

Navega hacia su biblioteca de aplicaciones y juegos

4. Temporizador

Define un temporizador para apagar automáticamente el televisor en la cantidad seleccionada de mi

5. Imagen

Ajusta la configuración de imagen para la entrada actual, la pantalla de inicio y las aplicaciones.

6. Sonido

Ajusta la configuración de sonido para la entrada seleccionada, la pantalla de inicio y las aplicaciones.

Para encontrar las configuraciones adicionales del televisor, navegue hasta la sección de configuración en la pantalla de inicio.

Agregar controles remotos Bluetooth, controladores de juegos, auriculares, teclados y micrófonos

Puede agregar controladores de juegos, auriculares, teclados y micrófonos compatibles con Bluetooth desde Settings → Controllers and Bluetooth Devices.

Actualizaciones de software

Cuando Element Fire TV Edition esté conectado a Internet mediante una conexión Wi-Fi o Ethernet, el televisor verificará y descargará automáticamente las actualizaciones en segundo plano. En caso de que haya actualizaciones listas para instalar, se le mostrará una notificación cuando apague el televisor. Para verificar las actualizaciones de forma manual, visite Settings → Device → About → Check for System Update.

Para obtener más información sobre su televisor Element Fire TV Edition, visite

<http://www.amazon.com/deviceservices/support>

MÁS FUNCIONES

Interacción por Voz

Use su voz para buscar contenido e interactuar con Alexa. Para obtener más información, visite www.amazon.com/deviceservices/support

Aplicaciones y Juegos

Obtenga aplicaciones y juegos de la tienda de aplicaciones de Amazon.

Música

Acceda a la aplicación Amazon Music y a muchos otros servicios y aplicaciones de música de terceros. También puede comprar música desde la tienda de música digital de Amazon con Alexa.

Guía De Programación En Vivo

Mediante una antena HD compatible, puede recibir transmisiones de aire gratuitas. Acceda a su cuenta de Amazon para obtener una guía de programación que incluye hasta dos semanas de información sobre la programación. Element Fire TV Edition incluso le permitirá pausar una transmisión en vivo hasta por dos minutos.

ESPECIFICACIONES TÉCNICAS

Conexión a Internet	Por cable o mediante redes Wi-Fi
Control remoto incluido	Control remoto por voz con Amazon Alexa
Video	Tamaño del panel: 43/50/55/65 pulgadas en diagonal Resolución de la pantalla: 2160 píxeles Resolución del panel: 3840 x 2160 píxeles Refresh Rate: 60Hz
Espacio de almacenamiento	16 GB Memoria de 3 GB Tarjeta SD como opción de almacenamiento externo, hasta 128 GB
HDMI	4 puertos, hasta 2160 píxeles Todos los puertos son compatibles con HDCP 2.2 HDMI 1 compatible con ARC
Salida de Audio	HDMI 1 ARC (canal de retorno de audio) Salida óptica de audio Conector para auriculares Audio Bluetooth
Dispositivos USB compatibles	Unos controladores de juegos con cable Xbox 360 Algunos controladores de juegos y controles remotos USB de terceros Teclado y mouse para computadoras
Dispositivos compatibles con Bluetooth	4.1Algunos controladores de juegos Bluetooth de terceros Auriculares Teclados Mouse para computadoras Algunos controles remotos de terceros
Interfaz VESA para montaje en la pared	Interfaz VESA para montaje en la pared 43, 50, 55 pulgadas: 200 x 200 mm 65 pulgadas: 400 x 200 mm

Tornillos de montaje en pared

Monte el soporte VESA utilizando M6*12mm*4pcs isométrica rosca tornillos (Solo suministrados en 65 pulgadas).

ADVERTENCIA: Para evitar lesiones, este aparato debe instalarse firmemente en el piso/la pared según las instrucciones de instalación.

ADVERTENCIA: Nunca coloque el televisor en un lugar inestable. Puede que el televisor caiga, causando serios daños personales o la muerte. Podrá evitar muchas lesiones, especialmente en las criaturas, tomando simples precauciones tales como: Use armarios o soportes recomendados por el fabricante del televisor. Use un mueble que pueda soportar el televisor de manera segura. Asegúrese de que el televisor no sobresalga del borde del mueble. No coloque el televisor encima de muebles altos (por ejemplo, armarios o estanterías). sin haber sujetado tanto el mueble como el televisor a un soporte adecuado. No coloque el televisor encima de ropa u otros materiales que puedan estar ubicados entre el televisor y los muebles de soporte. Eduque a los niños acerca de los peligros de subirse a los muebles para llegar al televisor o los controles de éste. Si va a conservar su televisor actual y va a colocarlo en otro lugar, igualmente deberá tener en cuenta lo anteriormente expuesto.

CONTROLES PARENTALES

Controles Parentales

Los controles parentales pueden habilitarse, deshabilitarse o ajustarse desde Settings → Preferencias → Parental Controls. Para obtener más información sobre los controles parentales, visite www.amazon.com/deviceservices/support

Descripción general

Los controles parentales en su televisión le brindan la opción de bloquear la reproducción de contenido televisivo de aire en vivo que pertenezca a determinadas categorías de clasificación. Los controles parentales relacionados con el contenido televisivo de aire en vivo utilizan el sistema de clasificación de la Asociación Cinematográfica de los Estados Unidos (MPAA) y las pautas de control parental de la organización TV Parental Guidelines como fundamento para sus categorías de clasificación.

• Sistemas de Clasificación Paternales de TV

Clasificación		Significado
TV-Y	Todos los niños	Programas dirigidos a un público muy joven, lo que incluye niños de 2 a 6 años.
TV-Y7	Dirigido a niños más grandes	Programas más apropiados para niños
TV-Y7-FV	Dirigido a niños más grandes	Programas con violencia ficticia que pueden ser más intensos o más agresivos que otra programación en la categoría TV-Y7.
TV-G	Público general	Programas adecuados para todas las edades; no necesariamente se trata de programas para niños.
TV-PG	Con orientación de los padres	Se recomienda orientación de los padres; estos programas pueden no ser adecuados para los niños más pequeños.
TV-14	Advertencia especial para padres	Estos programas pueden no ser adecuados para niños menores de 14 años.
TV-MA	Solo para público maduro	Estos programas están pensados para un público maduro y adulto, y pueden no ser adecuados para niños menores de 17 años.

Nota: El V-Chip bloqueará automáticamente ciertas categorías que son "más restrictivas". Si bloquea TV-Y categoría, se bloquearán automáticamente todas las calificaciones en el sistema de clasificación de TV Guía Parental. Del mismo modo, si bloquea categoría TV-G, se bloquearán todas las categorías de "joven adulto" (TV-G, TV-PG, TV-14, y TV-MA).

Clasificación de películas de la Asociación Cinematográfica de los Estados Unidos

www.mpa.org

La Administración de Clasificación y Calificación (“CARA”, por sus siglas en inglés) publica las clasificaciones para los largometrajes que se exhiben y distribuyen al público de manera comercial en los Estados Unidos y su objetivo consiste en brindar a los padres la información relacionada con el contenido de esos largometrajes a fin de ayudarlos a determinar la adecuación de una película en particular para ser vista por sus hijos. La CARA clasificará todos los largometrajes en cualquier momento antes o después de que se exhiba o distribuya en los Estados Unidos.

• **Motion Picture Association of America (MPAA) Rating System**

Clasificación		Significado
MV-G	Público general	Público general. Para todas las edades.
MV-PG	Con orientación de los padres	Con orientación de los padres. Parte del contenido puede no ser adecuado para los niños.
MV-PG13	Advertencia especial para padres	Advertencia especial para padres. Parte del contenido puede no ser apropiado para niños menores de 13 años.
MV-R	Restringido	Los menores de 17 años deben estar acompañados por un padre o tutor adulto.
MV-NC-17	No adecuado para niños menores de 17 años	Solo para adultos. No adecuado para niños menores de 17 años.

SOLUCIÓN DE PROBLEMAS

Si el televisor no funciona normalmente o no se puede encender, por favor revise las siguientes preguntas de solución de problemas. Recuerde también comprobar cualquier otro dispositivo electrónico conectado, como reproductor de DVD o Blu-ray para identificar el problema. Si el televisor sigue sin funcionar con normalidad, póngase en contacto con el soporte técnico de Element: www.elementelectronics.com/support.

El Televisor No Funciona Correctamente

El televisor no responde cuando se presionan los botones	<ul style="list-style-type: none"> • El televisor se puede congelar durante su uso. Desconecte el cable de alimentación de la toma de corriente durante unos minutos. Vuelva a conectar el cable de alimentación e intente hacerlo funcionar de nuevo como siempre.
El televisor no se puede encender	<ul style="list-style-type: none"> • Compruebe que el televisor esté conectado a la fuente de alimentación. • Asegúrese de que todos los dispositivos AV conectados estén apagados antes de encender el televisor.
El control remoto no funciona	<ul style="list-style-type: none"> • Compruebe si hay algún objeto entre el televisor y el control remoto que pueda interferir. Asegúrese de apuntar el control remoto directamente al televisor. • Instale pilas nuevas. • Extraiga las pilas del control remoto y vuelva a insertarlas para reiniciar la vinculación con el televisor. • Mantenga presionado el botón Inicio del control remoto durante 10 segundos. El control remoto debe ser detectado en 60 segundos.
La alimentación se ha cortado	<ul style="list-style-type: none"> • Compruebe la alimentación del televisor. La fuente de alimentación • tal vez fue interrumpida. • Compruebe si el temporizador está configurado.

repentinamente

No hay imagen ni sonido	<ul style="list-style-type: none"> • Compruebe si el televisor está encendido. • Intente con otro canal. El problema puede estar causado por la emisora.
La imagen aparece lentamente después de encenderlo	<ul style="list-style-type: none"> • Esto es normal, la imagen es muda durante el proceso de arranque del aparato. Póngase en contacto con su centro de servicio si la imagen no aparece transcurridos cinco minutos.
No se ven los colores o se ven de forma incorrecta o bien, la imagen es deficiente	<ul style="list-style-type: none"> • Ajuste la configuración en el menú IMAGEN. • Intente con otro canal. El problema puede estar causado • por la emisora. • Compruebe que los cables de video estén conectados correctamente.
Barra horizontal/vertical o imagen temblante	<ul style="list-style-type: none"> • Verifique la interferencia local como aparatos eléctricos o herramientas de potencia.
Mala recepción en algunos canales	<ul style="list-style-type: none"> • La emisora o el canal de cable pueden estar experimentando problemas; sintonice otra emisora. • La señal de la emisora puede ser débil, vuelva a colocar la antena • para mejorar la recepción. • Compruebe si hay posibles fuentes de interferencia.

SOLUCIÓN DE PROBLEMAS

Líneas o rayas en las imágenes	<ul style="list-style-type: none">• Verifique la antena (cambie la posición de la antena).
No hay imagen al conectar el HDMI	<ul style="list-style-type: none">• Compruebe si la fuente de entrada es HDMI1/HDMI2/HDMI3/HDMI4.

La Función De Audio No Funciona

La imagen se ve bien, pero no hay sonido	<ul style="list-style-type: none">• Presione los botones VOL +/-.• ¿Se silencia el sonido? Presione el botón para aumentar el volumen.• Intente con otro canal. El problema puede estar causado por la emisora.
No hay salida de uno de los altavoces	<ul style="list-style-type: none">• Ajuste la configuración del balance en el menú AUDIO.

Mantenimiento

- No utilice su televisor en áreas que son demasiado calientes o demasiado frías porque el mueble se puede doblar o la pantalla puede funcionar mal. El televisor funciona mejor a temperaturas que son cómodas para usted.
- Las temperaturas de almacenamiento son de 32 °F a 122 °F (0 °C a 50 °C).
- Las temperaturas de funcionamiento son de 32 °F a 95 °F (0 °C a 35 °C).
- No exponga el televisor directo al sol o cerca de una fuente de calor.

Mensaje de la FCC



Mensaje De La FCC

Este dispositivo cumple con la Sección 15 de las normas de la FCC. La operación está sujeta a las dos condiciones siguientes: (1) este dispositivo no puede causar interferencias perjudiciales, y (2) este dispositivo debe aceptar cualquier interferencia recibida, incluyendo las interferencias que puedan provocar un funcionamiento no deseado. Los cambios o las modificaciones no aprobados expresamente por la parte responsable del cumplimiento podrían anular la autoridad del usuario para manejar el equipo.

NOTA: Este equipo ha sido probado y cumple con los límites establecidos para un dispositivo digital de Clase B según lo dispuesto en la Sección 15 de las Normas de la FCC. Estos límites están diseñados para proporcionar una protección razonable contra las interferencias dañinas en una instalación residencial.

Este equipo genera, utiliza y puede irradiar energía de radiofrecuencia y, si no se instala ni utiliza según las instrucciones, puede provocar interferencia dañina en las comunicaciones de radio. Sin embargo, no hay garantía de que no se produzcan interferencias en una instalación en particular.

En caso de que este equipo provocara interferencia dañina en la recepción de radio o televisión, lo que se puede determinar al apagar y encender el equipo, se recomienda al usuario que intente corregir la interferencia aplicando una o más de las siguientes medidas: 1) volver a orientar o ubicar la antena receptora; 2) aumentar la separación entre el equipo y el receptor; 3) conectar el equipo a una salida en un circuito distinto al circuito al que está conectado el receptor; 4) consultar con el distribuidor o con un técnico experimentado en radio/TV para recibir ayuda.

Declaración sobre la exposición a la radiación de la FCC

Este equipo cumple con los límites de exposición a la radiación de la FCC determinados para un entorno sin supervisión. Este equipo se debe instalar y operar a una distancia mínima de 20 cm entre el emisor sin supervisión y su cuerpo.

NOTA: solo para uso interior.