



# TurboSwivel™

USER MANUAL

# LET'S REGISTER YOUR PRODUCT



It's super easy, just head on over to [elementelectronics.com/register](http://elementelectronics.com/register)

## BENEFITS OF REGISTERING YOUR PRODUCT:



### Support

Get assistance quickly by pre-registering your product.



### News & Offers

Take advantage of the latest news and special offers from Element.



### Updates

Stay current with important product updates and notifications.



### Warranty

Receive a 2 year warranty with product registration\*

## SAFETY INSTRUCTION

### SAFETY GUIDELINES - DEFINITIONS

It is important for you to read and understand this manual.

The information it contains relates to protecting YOUR SAFETY and PREVENTING PROBLEMS. The symbols below are used to help you recognize this information.

**DANGER:** Indicates an imminently hazardous situation which, if not avoided, will result in death or serious injury.

**WARNING:** To avoid all risks of fire, electrocution or injury, when using an electrical appliance, make sure you follow the safety measure below:

**READ CAREFULLY ALL THE RECOMMENDATIONS BEFORE USING YOUR VACUUM CLEANER**

**CAUTION:** Indicates a potentially hazardous situation which, if not avoided, may result in minor or moderate injury.

**NOTICE:** Used without the safety alert symbol indicates potentially hazardous situation which, if not avoided, may result in property damage.

When using an electrical appliances, basic precautions should always be followed, including the following:

### READ ALL INSTRUCTIONS BEFORE USING THE APPLIANCE.

**WARNINGS:** Before using this appliance, read and follow all warnings and instructions in this manual, even if you are familiar with this product.

This appliance is not intended for use by persons (including children) with reduced physical, sensory or mental capabilities, or lack of experience and knowledge, unless they have been given supervision or instruction concerning use of the appliance by a person responsible for their safety. Young children should be supervised to ensure that they do not play with the appliance.

### POLARIZATION INSTRUCTION

To reduce the risk of electric shock, this appliance has a polarized plug (one blade is wider than the other). This plug will fit in a polarized outlet only one way. If the plug does not fit fully in the outlet, reverse the plug. If it still does not fit, contact a qualified electrician to install the proper outlet. Do not change the plug in any way.

### SAFETY DIRECTION

Please read this instruction manual carefully before first use. It is advisable to keep this instruction manual for future reference. DO NOT vacuum water, wet objects, liquids, ashes, hot coals, cigarette butts, matches or any hot, smoking or burning objects, etc.

**DO NOT** pick up flammable or combustible materials (i.e. lighter fluid, petrol, kerosene, etc.) or use in the presence of explosive liquids or vapor. **DO NOT** pick up toxic material (i.e. chlorine bleach, ammonia, drain cleaner, etc.)

**DO NOT** vacuum Toner (for laser printer, copy machines etc.) as there is a risk of fire and explosion.

**DO NOT** vacuum plaster, cement etc. as the filter can become blocked.

**DO NOT** use the vacuum without all the filters fitted.

**DO NOT** store or use the appliance near high temperature areas.

**DO NOT** run over the power cord with the vacuum cleaner.

**DO NOT** use the vacuum cleaner if it is blocked. Turn off and clear all blockages before continuing.

# SAFETY INSTRUCTION (CONT.)

**DO NOT** use the vacuum cleaner with blocked filters. Clean or replace filters before continuing. (Refer to User Maintenance section).

**DO NOT** use the vacuum cleaner if the appliance malfunctions, abnormal noise, smell, smoke, is dropped or damaged in any manner or any breakage is found during operation.

**DO NOT** misuse the cord. Never pull the appliance by the cord or pull to disconnect it from the outlet. Instead, grasp the plug and pull to disconnect.

**DO NOT** use the vacuum cleaner to pick up large objects, hard or sharp objects such as glass, nails, screws, coins, etc. that are likely to cause damage.

**DO NOT** Leave Unattended when plugged in and / or switched on.

**DO NOT** use vacuum cleaner if it has been dropped, damaged, left outdoors, or dropped into liquid (water etc.)

**DO NOT** close door on cord, or pull cord around sharp edges or corners.

**DO NOT** handle the plug or vacuum cleaner with wet hands.

**DO NOT** put any objects into openings.

**DO NOT** use with any openings blocked and do not restrict airflow.

**DO NOT** operate the appliance with a damaged cord or plug.  
If the supply cord is damaged, it must be replaced by the manufacturer, its service agent or similarly qualified persons in order to avoid a hazard.

**DO NOT** use without filters in place.

**DO NOT** attempt to modify this product in any way.

**DO** empty the Dust Canister and clean the filters regularly for optimal operation of the vacuum.

**DO** keep hair, loose clothing, fingers, feet and body parts away from openings or moving parts.

**DO** disconnect the appliance from the mains supply before connecting the

flexible suction hose.

**DO** turn off controls before you connect or disconnect the appliance to or from the mains supply.

**DO** disconnect the appliance from the power supply when not in use, before changing the filters, cleaning the filters or connecting / disconnecting the accessories.

**DO** use only on dry, indoor surfaces.

**DO** use only as described in this manual. Use only manufacturers recommended attachments.

**DO** Keep cord away from heated surfaces.

**DO** Keep all openings free of dust, lint, hair, and anything that may reduce airflow.

**DO** use extra care when vacuuming on stairs.

**DO** keep your work area well lit.

**DO** store your appliance indoors in a cool, dry area.

**DO** ensure children and babies cannot play with plastic bags or any packaging materials.

**DO** operate the appliance from a power source of the same voltage, frequency and rating as indicated on the product identification plate.

If this appliance is used by a third party,  
**DO** supply the instruction manual with it. No liability can be accepted for any damage caused by non-compliance with these instructions or any other improper use or mishandling of appliance.

This product has not been designed for any uses other than those specified in this manual.

**WARNING:** This product can expose you to chemicals including Styrene, which is known to the State of California to cause cancer, and Bisphenol-A, which is known to the State of California to cause birth defects or other reproductive harm. For more information go to [www.P65Warnings.ca.gov](http://www.P65Warnings.ca.gov).

# SAFETY INSTRUCTION (CONT.)

## SYMBOLS

The label on your tool may include the following symbols. The symbols and their definitions are as follows:

- V .....volts
- A .....amperes
- Hz .....hertz
- W .....watts
- min .....minutes
- ~ .....alternating current
- ≡ .....direct current
- $n_0$  .....no load speed
- Ⓜ .....class I construction
- Ⓧ .....earthing terminal (grounded)
- ⚠ .....safety alert symbol
- Ⓜ .....Class II Construction (double insulated)

When using an extension cord, be sure to use one heavy enough to carry the current your product will draw. An undersized cord will cause a drop in line voltage resulting in loss of power and overheating.

The following table shows the correct size to use depending on cord length and nameplate ampere rating. If in doubt, use the next heavier gauge. The smaller the gauge number, the heavier the cord.

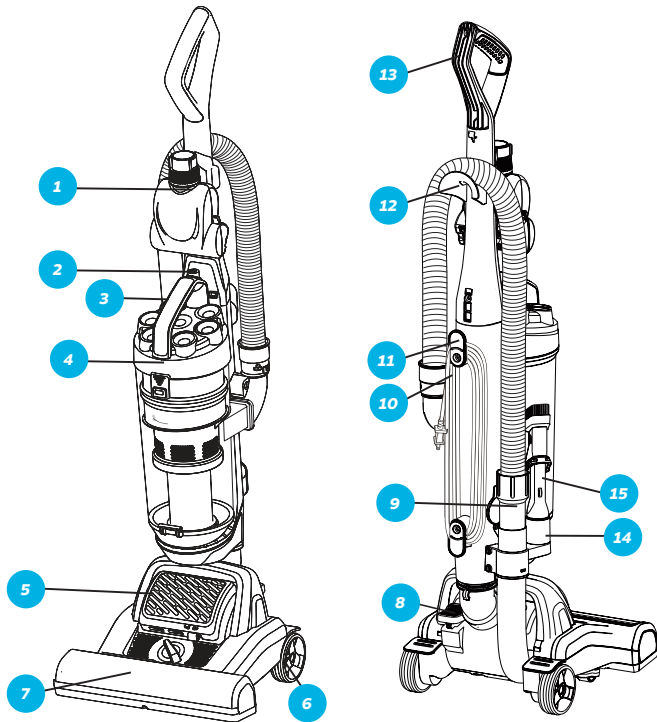
## TRANSPORTING YOUR VACUUM

To move your vacuum cleaner from room to room, unplug the unit and either push the appliance or carry using the carry handle.

Never pull or carry the vacuum cleaner by its cord.

Never carry or pull the vacuum cleaner by the flexible hose.

# IDENTIFYING THE PARTS OF YOUR VACUUM



- |                           |                     |
|---------------------------|---------------------|
| 1. Enhanced pet hair tool | 9. Hose handle      |
| 2. Dust cup release       | 10. Power cord      |
| 3. Dust cup handle        | 11. Power cord wrap |
| 4. Dust cup filter lid    | 12. Hose holder     |
| 5. Air outlet             | 13. Handle          |
| 6. Wheel                  | 14. Tool holder     |
| 7. Nozzle                 | 15. 3-in-1 tool     |
| 8. Power on/off           |                     |

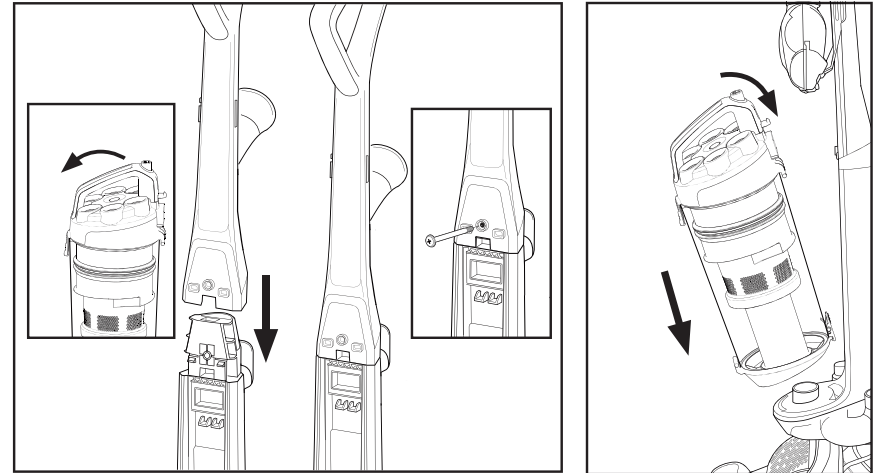
The Pet (H)airBrush tool (1) is for use when vacuuming pet hair and/or ground-in debris from carpeted or upholstery surfaces.

**Warning: Injury to pets. Do not use pet hair cleaning tool directly on animals.**

# ASSEMBLY

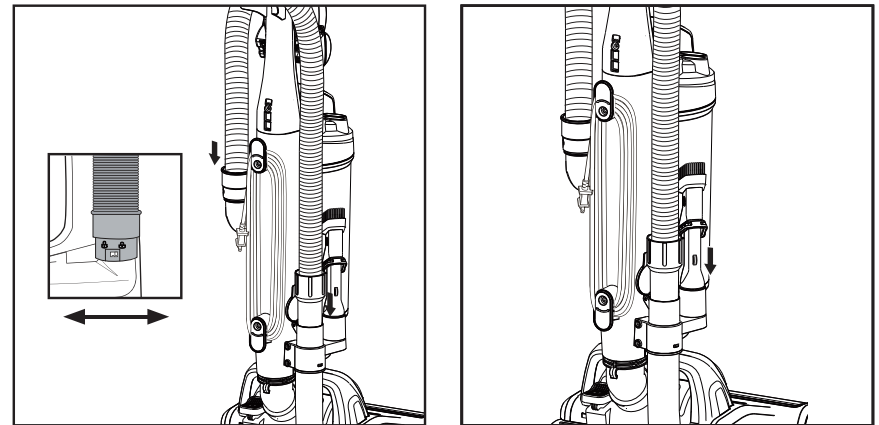
Please Note: Always remove the plug from the power socket before fitting or removing accessories. Ensure all filters are fitted, and fitted correctly before using.

**Warning: DO NOT plug in your vacuum cleaner until you have completely assembled it per the following instructions and are familiar with all instructions and operating procedures.**



Remove the dust cup before installing handle. Insert the handle into the vacuum body, then rotate the screw into body as shown.  
**IMPORTANT:** The handle must be inserted first before re-placing the dust cup.

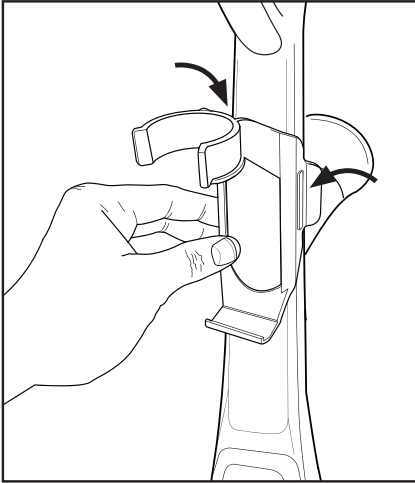
Place the dust cup back onto the machine and push until it clicks into place.



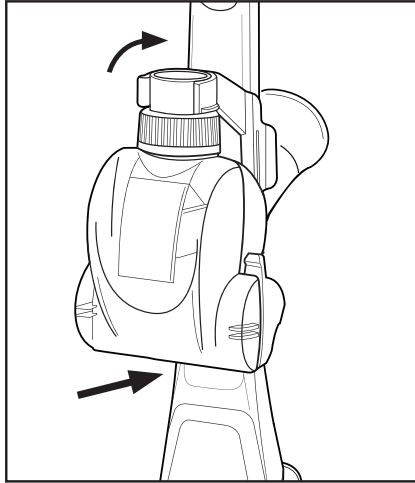
Flip open the connector hose cover and insert hose. Insert other end of hose into side of unit and rotate clockwise to lock.

Insert the 3-in-1 tool into the on-board tool holder, as shown.

## ASSEMBLY (CONT.)

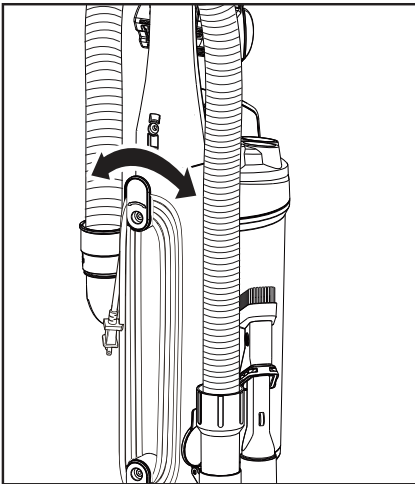


Install the pet tool holder by aligning one side of the holder with the guides. Once the guides are aligned in the guide slot, press until the other side locks into place.

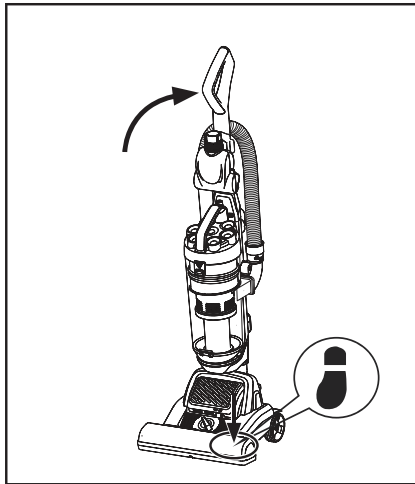


Place the pet tool on the pet tool holder by aligning the bottom hook with the pet tool and then press into the holder.

## OPERATION

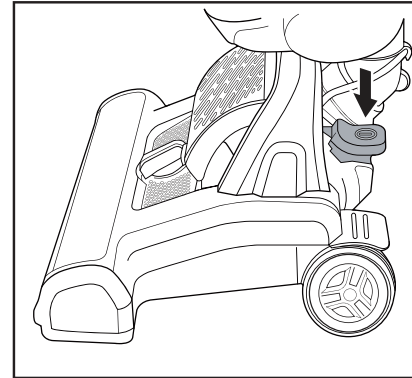


Rotate the power cord wrap to release the power cord. Plug in your machine.

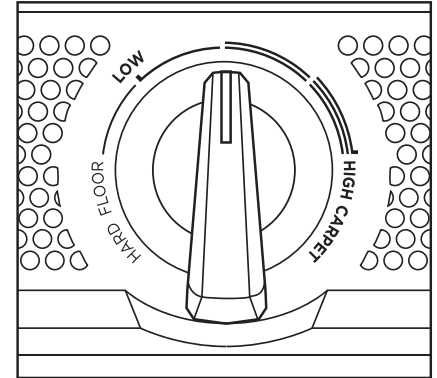


Step on the brush cover and pull back on handle, to engage for operation.

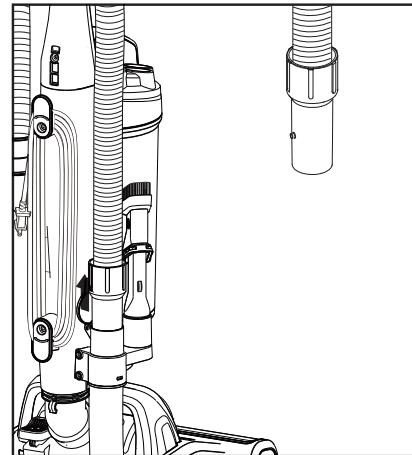
## OPERATION (CONT.)



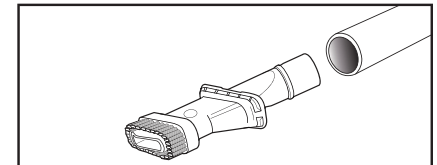
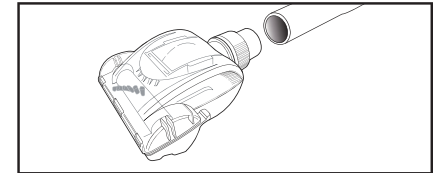
Push ON/OFF button to switch on.



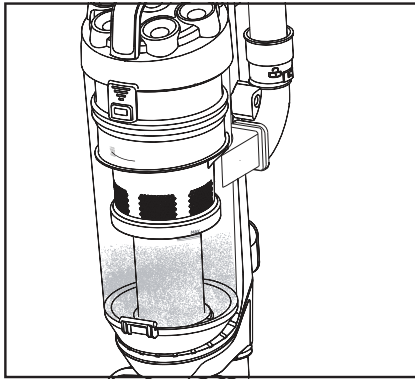
The unit has five height adjustments for different floor types, from hard floor to highprofile carpet. When adjusting the height of the unit, the machine must be in the upright position.



Remove hose handle from the hose socket. The hose handle can be used immediately or with the addition of attachments.



# OPERATION (CONT.)

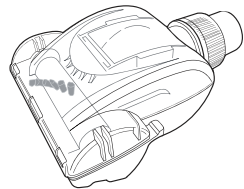


Don't over fill the dust cup. Overfilling the dust cup can clog your filter.

# ACCESSORIES

## Pet (H)airBrush Tool

It has an air driven brushroll for cleaning pet hair from your upholstery, auto interiors and more.



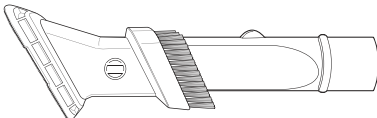
1



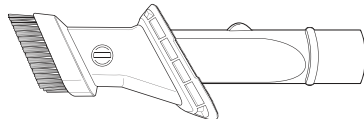
## 3-IN-1 CREVICE TOOL

The 3-in-1 accessory/crevice tool allows for vacuuming in narrow and hard-to-reach places.

2



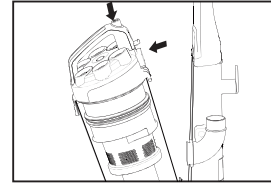
3



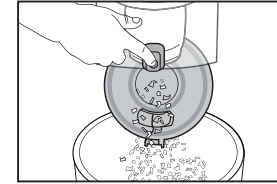
# MAINTENANCE AND CARE

## Empty the dust cup and clean dust cup filter

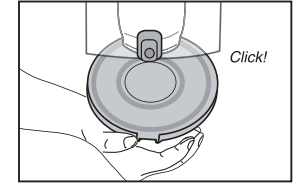
**WARNING:** Turn off and unplug vacuum cleaner before performing maintenance to the vacuum cleaner.



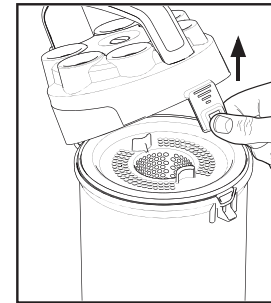
Press dust cup release button to remove the dust cup.



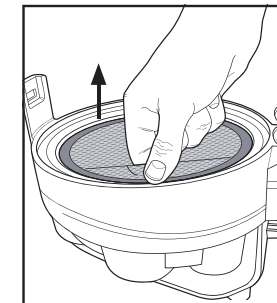
Hold dust cup over wastebasket and press lever to release bottom lid. Debris will empty.



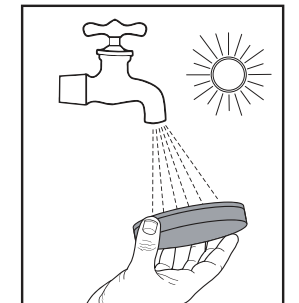
Close bottom lid until it clicks.



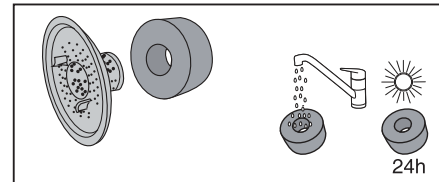
Open the dust cup filter lid, located on the top of the cup.



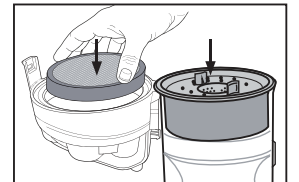
Remove the pre-motor filter.



Rinse the filter thoroughly in lukewarm water until the water runs clear.



Lift out filter holder, pull off foam filter and shake off dust frequently. Every three months, rinse filters and dry thoroughly.



Reinstall foam filter, filter holder and pre-motor filter.

**DO NOT** operate without filter installed.  
**DO NOT** wash dust cup in the dishwasher.  
**DO NOT** install filter damp.

**CAUTION:** Do not turn appliance on when dust cup is removed.

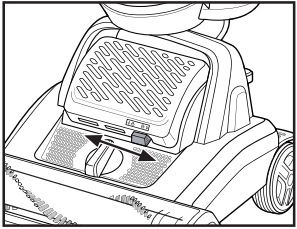
- In order to keep the suction force optimized, the dust cup and filters must be cleaned regularly.
- Reassemble after cleaning

# MAINTENANCE AND CARE

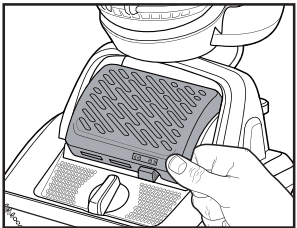
**WARNING:** Turn off and unplug vacuum cleaner before performing maintenance to the vacuum cleaner.

## Clean the air outlet

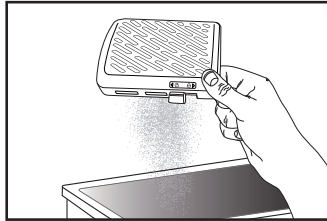
**Warning:** Ensure that the unit is in an upright position and power is off when you remove the filter.



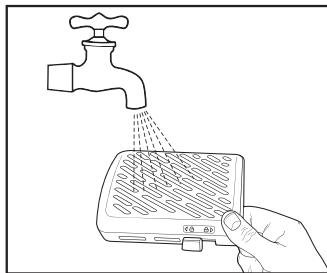
Locate and unlock filter cover as shown. Push left to un-lock, right to lock.



Open the cover upwards and remove the filter.



Gently tap the filter over a garbage bin, removing dirt and debris.

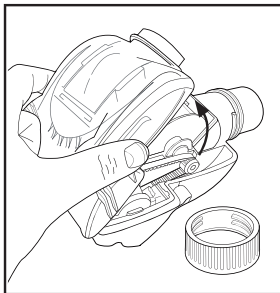


Wash using lukewarm water until the water runs clear. Allow to air dry for 24 hours before re-using. Do not use a hair dryer or other heating methods to dry.

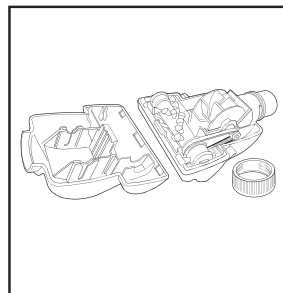
## Clean vacuum and tools



To open the pet tool for internal cleaning, rotate, unlock and remove the plastic locking ring as shown.



Pull up on the plastic upper cap of the pet tool as shown.



Remove any blockage or debris and carefully, without damaging the bristles or belt, cut any build-up of hair or string wrapped around the rotating bristle brush with scissors.

# MAINTENANCE AND CARE

## Cleaning Vacuum And Tools

**DO NOT** clean the vacuum cleaner, components or accessories using petroleum or any other flammable liquid or solvents.

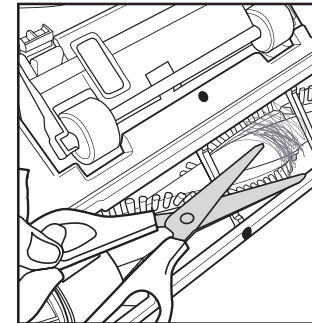
Clean only the outside of the vacuum cleaner.

Use only a moist cloth and mild detergent for cleaning the vacuum cleaner, components and accessories. After cleaning, wipe off the moisture on the vacuum cleaner, components and accessories with a dry cloth.

**DO NOT** place accessories, tools or components in a dishwasher.

## Cleaning Brush Roll

**WARNING:** Turn off and unplug vacuum cleaner before performing maintenance to the vacuum cleaner.



Carefully remove any string, hair or debris that may be wrapped around the brush roll.

You can use a tool such as a small knife or scissors to carefully, without damaging the bristles, cut any build-up of hair or string wrapped around the rotating bristle brush.

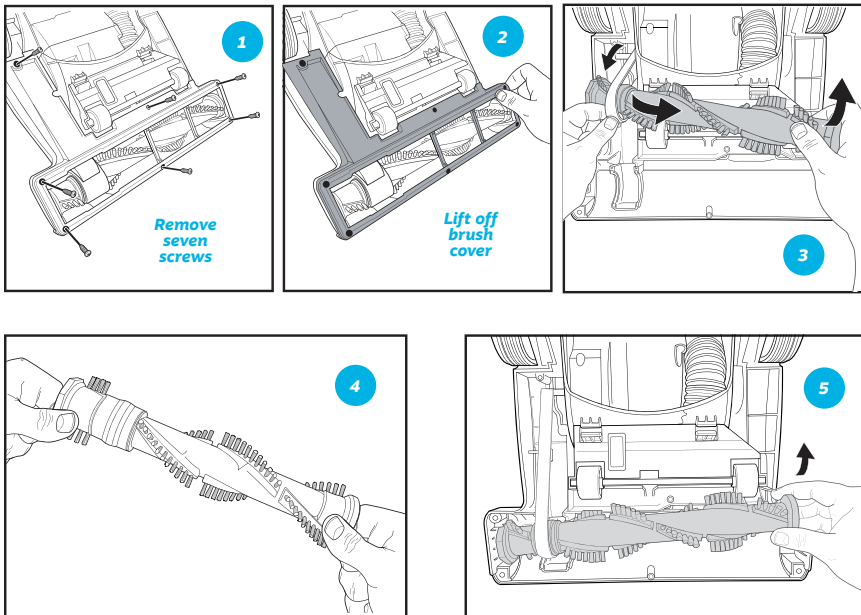
# MAINTENANCE AND CARE

**WARNING:** Turn off and unplug vacuum cleaner before performing maintenance to the vacuum cleaner.

## Replace Brush Roll

Check your cleaner's brush roll and drive belt regularly for wear or damage. Clean the brush and brush ends by removing string, hair and carpet fibers. These can wrap around the brush and hamper its ability to effectively clean your carpet. Also remove any debris that has accumulated under the brush cover.

1. Turn off vacuum and unplug from electrical outlet.
2. Place vacuum upside down with brush roll facing upwards.
3. Remove the seven screws as shown with a small Phillips screwdriver.
4. Lift off brush cover.
5. Grasp floor brush at both ends and remove by lifting out.
6. Clean string, hair and other debris from floor brush, motor pulley, and drive belt.
7. Check floor brush for worn areas and replace if needed.
8. Check air passageway for obstructions. Remove debris from this area.
9. When finished cleaning, reposition floor brush and drive belt. Turn floor brush by hand several times in the direction of the motor pulley.
10. If properly installed, the drive belt will align itself on floor brush. Then replace the brush cover and re-install the seven screws.



# MAINTENANCE AND CARE

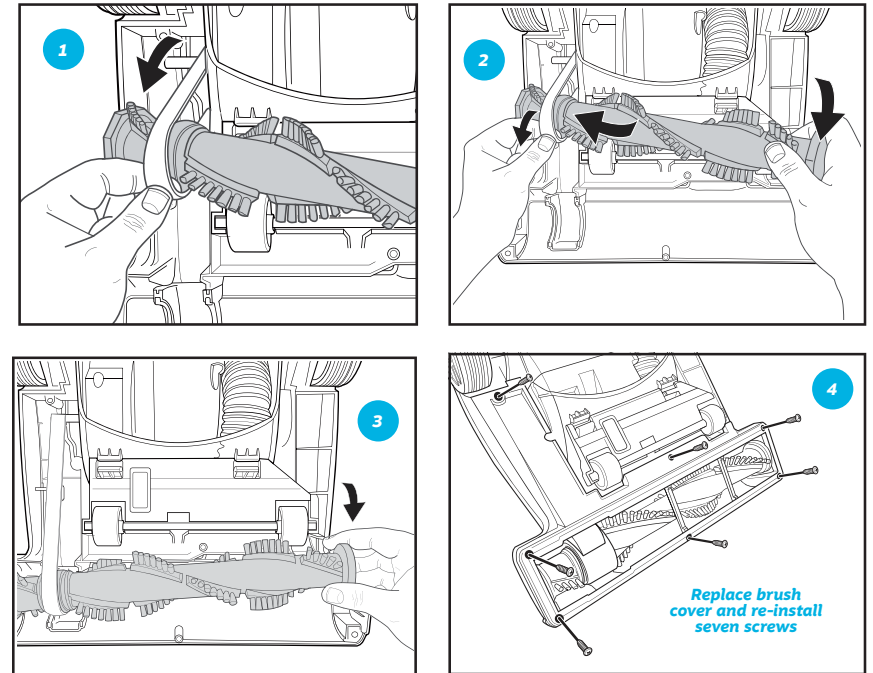
**WARNING:** Turn off and unplug vacuum cleaner before performing maintenance to the vacuum cleaner.

## Replace Drive Belt

Check the drive belt carefully for wear, cuts and stressed areas. If the drive belt appears worn, you will need to replace it.

To remove the drive belt, read the instructions and follow the drawings below:

1. Use Phillips screwdriver to remove 7 screws from brushroll cover. Lift off cover.
2. Grasp the old drive belt and remove from motor shaft. Discard old drive belt.
3. Loop new drive belt over motor shaft and stretch other end over floor brush in the space provided between the bristles.
4. Place ends of floor brush down into slots on sides as shown.
5. Turn floor brush by hand several times in the direction of the motor shaft. If properly installed, drive belt will align itself on floor brush.
6. Replace brush cover and re-install the seven screws.



**WARNING:** The plug must be removed from the power socket before any maintenance or replacement. If the power cord is damaged, replace them only by the factory or maintenance center or similarly qualified persons.



# TROUBLESHOOTING

**WARNING:** The plug must be removed from the power socket before any maintenance or replacement. If the power cord is damaged, replace them only by the factory or maintenance center or similarly qualified persons.

## POSSIBLE CAUSES

### VACUUM CLEANER WON'T RUN:

1. Vacuum cleaner is not plugged in
2. Blown fuse/tripped breaker

### VACUUM CLEANER WON'T PICK UP DIRT:

1. Dirt cup is full
2. Filter dirty
3. Hose not secure
4. Dirt cup not in place
5. Vacuum path clogged
6. Rotating power brush drive belt broken
7. Drive belt stretched
8. Floor brush bristles worn
9. Floor brush jammed

## REMEDIES

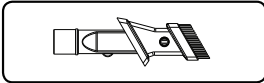
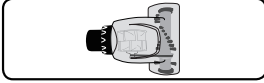
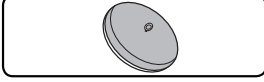
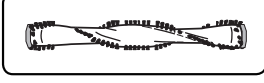
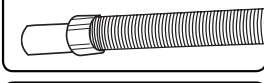

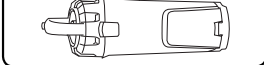
### VACUUM CLEANER WON'T RUN:

1. Check electrical plug
2. Check/replace fuse or reset breaker

### VACUUM CLEANER WON'T RUN:

1. Empty dirt cup
2. Check, remove debris or clean
3. Check to be sure hose is snapped into place at both ends
4. Make sure dirt cup is fully inserted and dirt cup release handle is pushed in completely
5. Visually check air passageway, hose inlet, and hose for anything that might be obstructing the vacuum path. Carefully remove blockage
6. Replace drive belt
7. Check drive belt area and remove obstructions  
Replace drive belt if necessary
8. Replace floor brush
9. Remove floor brush and clean debris from brush and ends  
Check drive belt for any damage

# REPLACEMENT PARTS

Image	Part Name	Part Number
	3-in-1 Tool	B0105
	Pet (H)airBrush	B0104
	Washable Foam Filter	B0101
	Brushroll	B0102
	Handle Hose	B0106
	Drive Belt	B0107
	Dust Cup	B0109

# ELEMENT APPLIANCE LIMITED WARRANTY

Model Names/Numbers Subject to Limited Warranty:

**Element TurboSwivel EVO2AB12GY**

(the "Products" or "Product" when referencing a singular product herein)

This Product, as supplied and distributed in new condition, is warranted by Element Appliance Company, LLC ("Element") to the original purchaser of such Product who purchases the Product from an authorized Element retailer (the "Original Purchaser") against defects in material and workmanship under proper use, maintenance, and care according to the owner's manual, warnings, and instructions accompanying the Product (the "Warranty") as follows:

**\*PLEASE NOTE** – Proof of purchase evidencing the date of purchase by the Original Purchaser from an authorized Element retailer ("Valid Proof of Purchase") is required for all Warranty service. The express Warranty set forth herein is subject to all terms and conditions set forth below.

## 1. WARRANTY SERVICE:

**A. ONE-YEAR WARRANTY:** Except as provided in subpart 1.B below, for a period of one (1) year from the date of purchase by the Original Purchaser (the "Warranty Period"), if the parts or components covered by this Warranty are determined by Element or Element's authorized service provider to be defective in material or workmanship, Element will, at its sole and absolute discretion and option: (i) repair the defective part or component at no charge to the Original Purchaser, (ii) replace the defective Product with a new Product of similar or better quality, at no charge to the Original Purchaser, or (iii) refund the documented purchase price paid by the Original Purchaser (excluding tax) to the Original Purchaser upon return of the defective Product as directed by Element. After the Warranty Period expires, the Original Purchaser must pay for all parts, components, shipping and handling, labor, and replacement costs associated with the Product or any part or component thereof, regardless of any defects in the Product or any part or component thereof.

**B. LIMITED EXTENDED WARRANTY THROUGH PRODUCT REGISTRATION:** If and only if the Original Purchaser registers the Product at [www.elementelectronics.com](http://www.elementelectronics.com) within ninety (90) days of the date of purchase by the Original Purchaser, then the Warranty Period discussed in subpart 1.A. above shall be extended an additional one (1) year to a new Warranty Period equaling two (2) years from the date of purchase by the Original Purchaser. If the Product is not registered as provided for in this subpart 1.B, then the standard one-year Warranty Period set forth in subpart 1.A shall apply.

**C. TIMING AND PROCEDURE:** Before Warranty service can commence, the Original Purchaser must contact either (i) the retailer from whom the Original Purchaser purchased the Product, or (ii) Element directly, in either case for problem determination and service procedures. Valid Proof of Purchase evidencing that the Product is within the Warranty Period MUST be presented by Original Purchaser in order to obtain the requested Warranty service. Please have your model and serial number available, along with your date of purchase of the Product. To remain eligible for Warranty service, Original Purchaser may not return the Product or any part or component thereof to the retailer or Element without Element's prior written consent.

## 2. EXCLUSIONS AND LIMITATIONS TO WARRANTY SERVICE

The Warranty covers manufacturing defects in materials and workmanship of the Product encountered in the normal, non-commercial use of the Product, and does not cover (a) damages or malfunctions resulting from improper or unreasonable use or maintenance, abuse, negligence, failure to follow instructions contained in any written materials that accompany the Product, deterioration by reason of excess moisture, corrosive atmosphere, lightning, power surges, connections to improper voltage supply, unauthorized alteration, or other external causes such as extremes in temperature or humidity, modifications, scratches or discoloration; (b) improper or incorrectly performed repairs by service providers not authorized by Element; (c) transportation, shipping, delivery, pickup, insurance, installation, or set-up costs; (d) ordinary wear and tear, cosmetic damage, or damage due to acts of nature, including but not limited to, water, floods, wind, storm, tornado, earthquake, or fire, or due to damage caused by extraordinary impact events, such as dropping, crushing, demolition or other extraordinary damage;

# ELEMENT APPLIANCE LIMITED WARRANTY (CONT.)

(e) commercial use of the Product, or use of the Product for anything other than single-family household or residential use; or (f) modification of the Product or any part of the Product.

This Warranty is made to the Original Purchaser only and does not cover Products sold AS IS or WITH ALL FAULTS. The Warranty is invalid if the factory-applied serial number has been altered or removed from the Product. This Warranty is valid only in the United States, and only applies to Product if it was purchased and serviced in the United States. The addition of equipment or features to the Product that are not manufactured or recommended by Element could affect the intended function of the Product, and therefore may void the Warranty. Furthermore, the exposure of the Product to chemicals, heat, cold, humidity, or other elements can affect the Product components, and therefore, the Warranty does not cover discoloration, fading, cosmetic changes, rust, or any damages or failure related to any such items. The Warranty is contingent upon the proper use, maintenance, and care of the Product. The Warranty may be void if the Product has been used in a manner contradictory to, or in violation of, the terms of the user's manual, warnings, or instructions accompanying the Product.

THIS WARRANTY IS MADE IN LIEU OF AND SUPERSEDES ALL OTHER WARRANTIES OR CONDITIONS OF MERCHANTABILITY OR FITNESS FOR A PARTICULAR PURPOSE OR GENERAL USE, WHETHER EXPRESS, IMPLIED, COLLATERAL, STATUTORY, OR PROVIDED BY COMMON LAW, THE UNIFORM COMMERCIAL CODE, OR OTHERWISE. ELEMENT FURTHER DISCLAIMS ALL WARRANTIES AFTER THE END OF THE WARRANTY TERM DEFINED ABOVE. NO OTHER EXPRESS WARRANTY OR GUARANTY GIVEN BY ANY OTHER PERSON, FIRM, OR ENTITY WITH RESPECT TO THE PRODUCT SHALL BE BINDING ON ELEMENT. REPAIR, REPLACEMENT, OR REFUND OF THE ORIGINAL PURCHASE PRICE, AT ELEMENT'S SOLE DISCRETION, ARE THE EXCLUSIVE REMEDIES OF THE CUSTOMER.

ELEMENT SHALL NOT BE LIABLE FOR ANY INCIDENTAL OR CONSEQUENTIAL DAMAGES CAUSED BY THE USE, MISUSE, OR INABILITY TO USE THE PRODUCT. THESE INCLUDE, BUT ARE NOT LIMITED TO, ANY DAMAGES IN THE FORM OF LOST PROFITS, LOSS OF USE, LEGAL FEES, ECONOMIC LOSS, PERSONAL INJURIES, OR ANY OTHER DAMAGES CAUSED BY CIRCUMSTANCES BEYOND THE CONTROL OF ELEMENT. NOTWITHSTANDING THE FOREGOING, ELEMENT'S AGGREGATE LIABILITY TO ANY CUSTOMER SHALL NOT EXCEED THE ORIGINAL PURCHASE PRICE OF THE PRODUCT. THIS WARRANTY SHALL NOT EXTEND TO ANYONE OTHER THAN THE ORIGINAL CUSTOMER WHO PURCHASED THE PRODUCT, AND IS NOT TRANSFERRABLE. NO PERSON IS AUTHORIZED TO ALTER, EXTEND, OR WAIVE THIS WARRANTY OR ANY OF ITS TERMS OR CONDITIONS.

Some states do not allow the exclusion or limitation of incidental or consequential damages, or allow limitations on warranties, so the above limitations or exclusions may not apply to you. This Warranty gives you specific rights, and you may have other rights, which vary from state to state. The exclusions and limitations to the Warranty apply to the maximum extent permitted by law and unless restricted or prohibited by law. Where any term of this Warranty is prohibited by applicable law, it shall be null and void, but the remainder of this Warranty shall remain in effect.

**PLEASE CONTACT THE RETAILER FROM WHOM YOU PURCHASED THE PRODUCT FOR CUSTOMER SERVICE OR TO CONFIRM PROCEDURES FOR WARRANTY SERVICE.**

In the event you wish to contact Element, please direct all correspondence to:  
Element Appliance Company, LLC  
[appliance@elementelectronics.com](mailto:appliance@elementelectronics.com)  
833.469.0875  
<https://elementelectronics.com/appliances>



**Bring it home.™**