

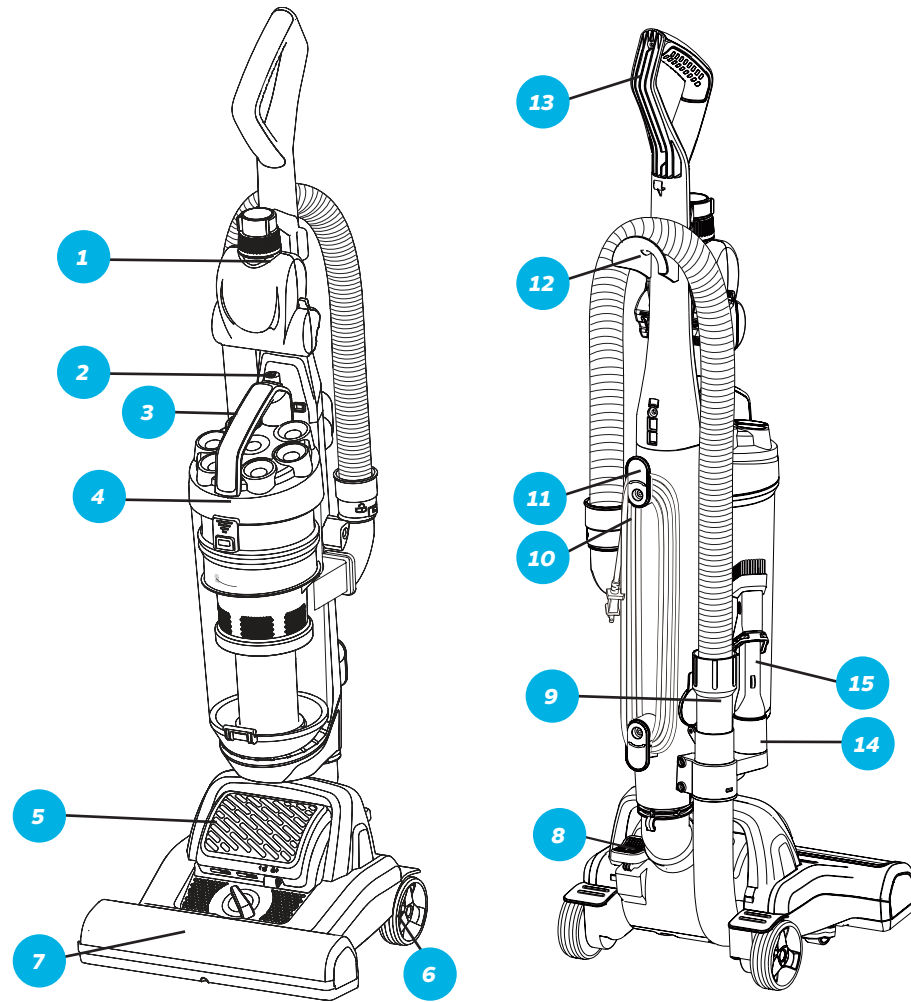


TurboSwivel™

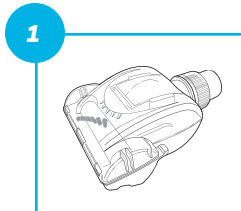
QUICK START GUIDE



WHAT'S INCLUDED IN THE BOX

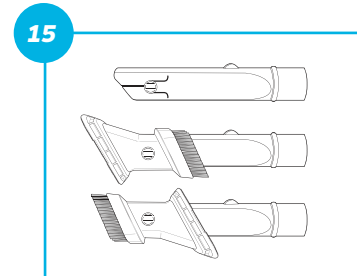


1. Enhanced pet hair tool
2. Dust cup release
3. Dust cup handle
4. Dust cup filter lid
5. Air outlet
6. Wheel
7. Nozzle
8. Power on/off
9. Hose handle
10. Power cord
11. Power cord wrap
12. Hose holder
13. Handle
14. Tool holder
15. 3-in-1 tool



Pet (H)airbrush Tool

It has an air driven brushroll for cleaning pet hair from your upholstery, auto interiors and more.



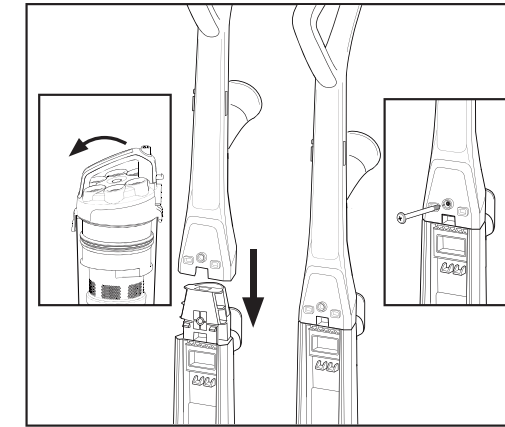
3-IN-1 Crevice Tool

The 3-in-1 accessory/crevice tool allows for vacuuming in narrow and hard-to-reach places.

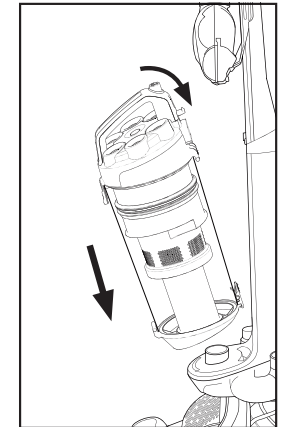
HOW TO ASSEMBLE YOUR VACUUM

Please Note: Always remove the plug from the power socket before fitting or removing accessories. Ensure all filters are fitted, and fitted correctly before using.

Warning: DO NOT plug in your vacuum cleaner until you have completely assembled it per the following instructions and are familiar with all instructions and operating procedures.

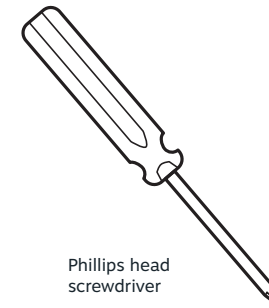


Remove the dust cup before installing handle. Insert the handle into the vacuum body, then rotate the screw into body as shown.
IMPORTANT: The handle must be inserted first before re-placing the dust cup.

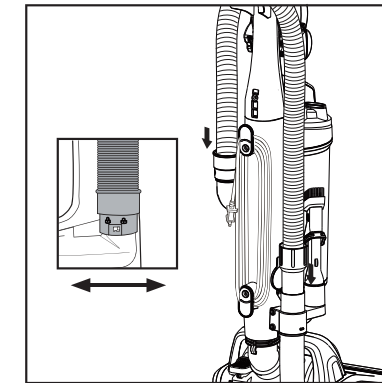


Place the dust cup back onto the machine and push until it clicks into place.

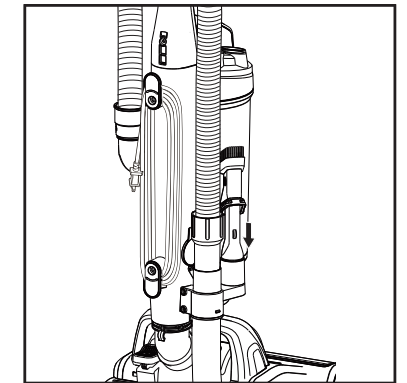
What you will need (not included)



Phillips head screwdriver

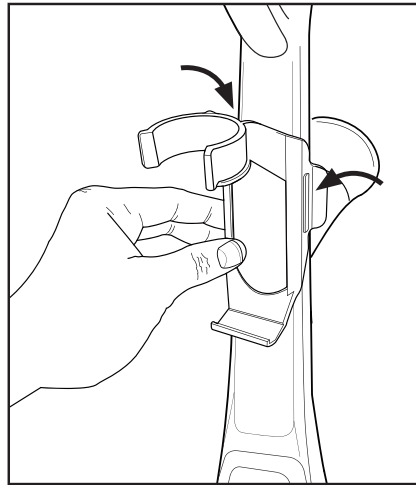


Flip open the connector hose cover and insert hose. Insert other end of hose into side of unit and rotate clockwise to lock.

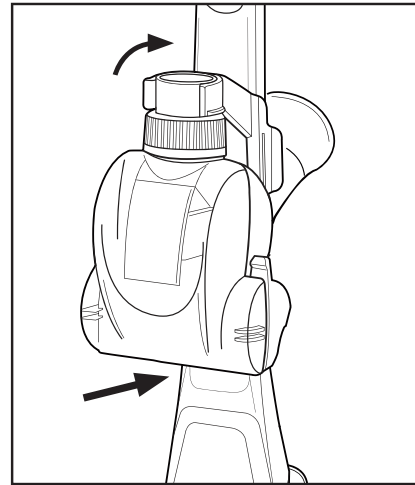


Insert the 3-in-1 tool into the on-board tool holder, as shown.

ASSEMBLY (CONT.)

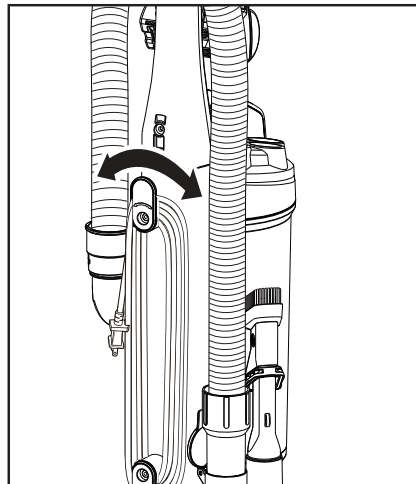


Install the pet tool holder by aligning one side of the holder with the guides. Once the guides are aligned in the guide slot, press until the other side locks into place.

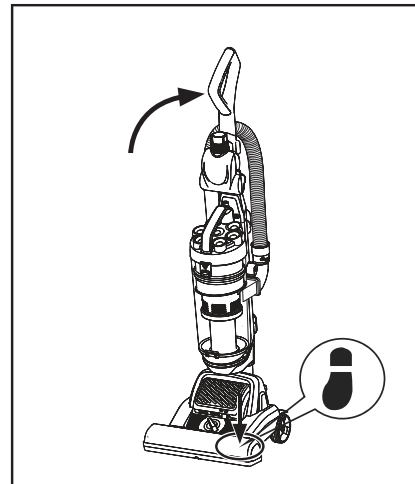


Place the pet tool on the pet tool holder by aligning the bottom hook with the pet tool and then press into the holder.

OPERATION

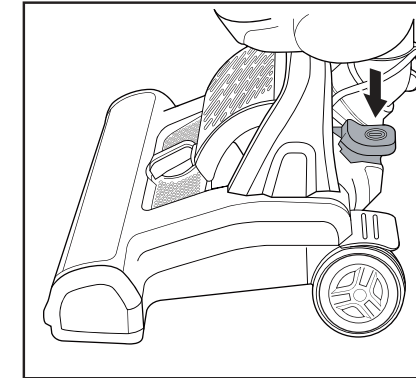


Rotate the power cord wrap to release the power cord. Plug in your machine.

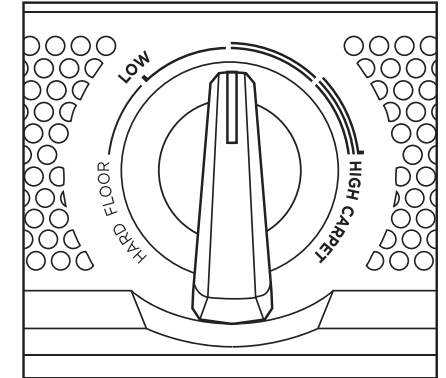


Step on the brush cover and pull back on handle, to engage for operation.

OPERATION (CONT.)

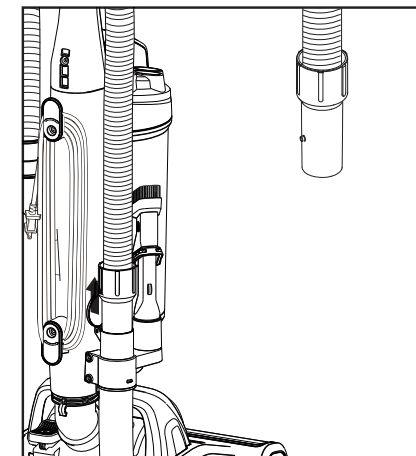


Push ON/OFF button to switch on.

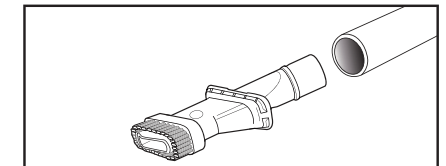
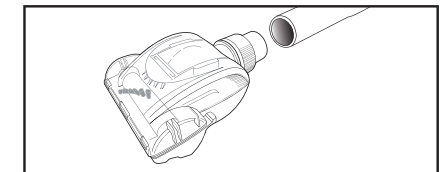


The unit has five height adjustments for different floor types, from hard floor to highprofile carpet. When adjusting the height of the unit, the machine must be in the upright position.

ACCESSORY OPERATION



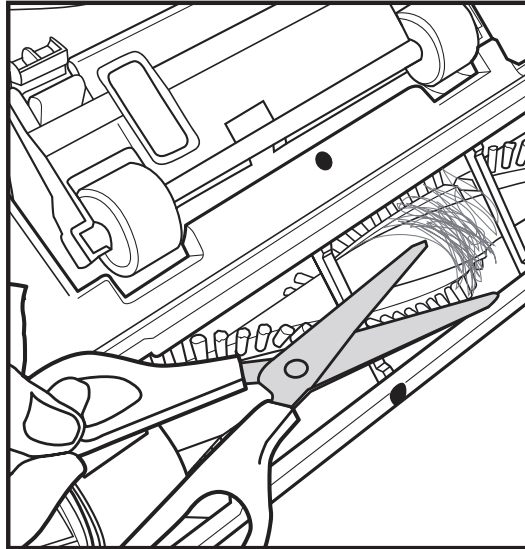
Remove hose handle from the hose socket. The hose handle can be used immediately or with the addition of attachments.



MAINTENANCE AND CARE

Cleaning brush roll

WARNING: Turn off and unplug vacuum cleaner before performing maintenance to the vacuum cleaner.



Carefully remove any string, hair or debris that may be wrapped around the brush roll.

You can use a tool such as a small knife or scissors to carefully, without damaging the bristles, cut any build-up of hair or string wrapped around the rotating bristle brush.

MAINTENANCE AND CARE

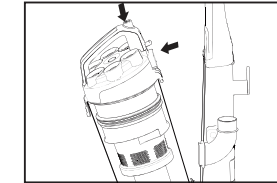
Empty the dust cup and clean dust cup filter

WARNING: Turn off and unplug vacuum cleaner before performing maintenance to the vacuum cleaner.

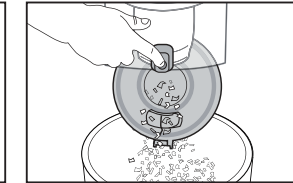
DO NOT operate without filter installed.
DO NOT wash dust cup in the dishwasher.
DO NOT install filter damp.

CAUTION: Do not turn appliance on when dust cup is removed.

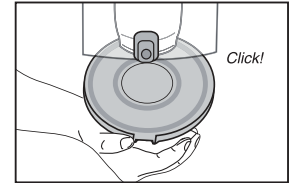
- In order to keep the suction force optimized, the dust cup and filters must be cleaned regularly.
- Reassemble after cleaning



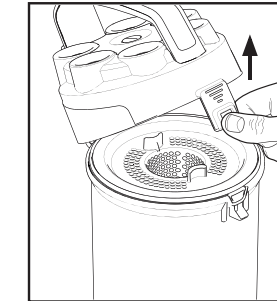
Press dust cup release button to remove the dust cup.



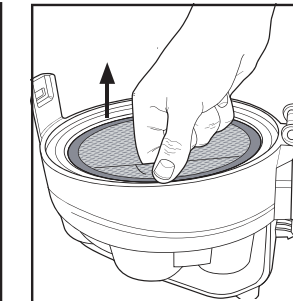
Hold dust cup over wastebasket and press lever to release bottom lid. Debris will empty.



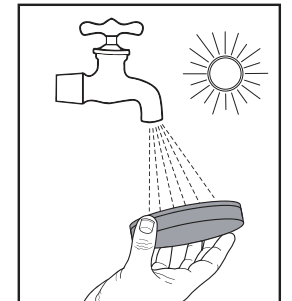
Close bottom lid until it clicks.



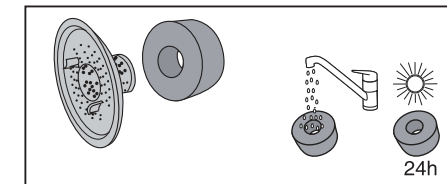
Open the dust cup filter lid, located on the top of the cup.



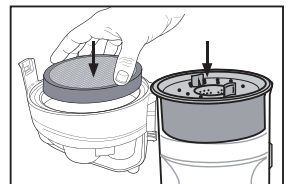
Remove the pre-motor filter.



Rinse the filter thoroughly in lukewarm water until the water runs clear.



Lift out filter holder, pull off foam filter and shake off dust frequently. Every three months, rinse filters and dry thoroughly.



Reinstall foam filter, filter holder and pre-motor filter.



Bring it home.™