

# **USER MANUAL**

## **7.1 CU. FT. REFRIGERATOR**

EUFM71001AS

Product may vary. Please refer to the actual product.





# CONTENTS

|  |           |
|--|-----------|
| <b>REGISTER YOUR REFRIGERATOR.....</b>         | <b>3</b>  |
| <b>GETTING TO KNOW YOUR REFRIGERATOR .....</b> | <b>3</b>  |
| WHAT IS INCLUDED? .....                        | 3         |
| INSIDE VIEW .....                              | 4         |
| TEMPERATURE CONTROL.....                       | 4         |
| <b>SETTING UP YOUR REFRIGERATOR.....</b>       | <b>5</b>  |
| REVERSING THE DOORS.....                       | 5         |
| POSITIONING YOUR REFRIGERATOR .....            | 7         |
| ADJUSTING STORAGE ACCESSORIES.....             | 8         |
| TURNING ON YOUR REFRIGERATOR.....              | 8         |
| <b>USING YOUR REFRIGERATOR.....</b>            | <b>9</b>  |
| ADJUSTING THE TEMPERATURE.....                 | 9         |
| STORING FOOD.....                              | 9         |
| NAVIGATING POWER OUTAGES.....                  | 10        |
| SAVING ENERGY .....                            | 10        |
| <b>MAINTAINING YOUR REFRIGERATOR .....</b>     | <b>11</b> |
| DEFROSTING.....                                | 11        |
| CLEANING AND CARE.....                         | 11        |
| REPLACING THE LIGHT.....                       | 11        |
| MOVING YOUR REFRIGERATOR .....                 | 12        |
| PREPARING FOR LONG-TERM STORAGE.....           | 12        |
| SERVICING YOUR REFRIGERATOR .....              | 12        |
| <b>SAFETY AND PRECAUTIONS .....</b>            | <b>13</b> |
| <b>SPECIFICATIONS.....</b>                     | <b>16</b> |
| <b>TROUBLESHOOTING.....</b>                    | <b>16</b> |
| <b>CUSTOMER SUPPORT.....</b>                   | <b>17</b> |
| <b>LEGAL NOTICES.....</b>                      | <b>18</b> |
| <b>WARRANTY .....</b>                          | <b>18</b> |


## REGISTER YOUR REFRIGERATOR

Thank you for purchasing the Element 7.1 cu. ft. Refrigerator. If you have questions about your refrigerator, our customer support team is ready to help:

- **Online chat:** <https://elementelectronics.com/appliances>
- **Phone:** 1 (888) 250-6588
- **Email:** [appliance@elementelectronics.com](mailto:appliance@elementelectronics.com)

To register your refrigerator, go to <https://elementelectronics.com/registration/>, fill out the Product Registration form, and upload a picture of your receipt. Your serial number is located on the rating label on the back of your refrigerator above the compressor.

Use the space below to record information about your refrigerator and keep your original purchase receipt for future reference. You'll need this information to receive warranty service.



7.1 cu. ft. Refrigerator

**Model Number:** \_\_\_\_\_

**Serial Number:** \_\_\_\_\_  
(located on the rating label on the back of your refrigerator)

**Date of Purchase:** \_\_\_\_\_

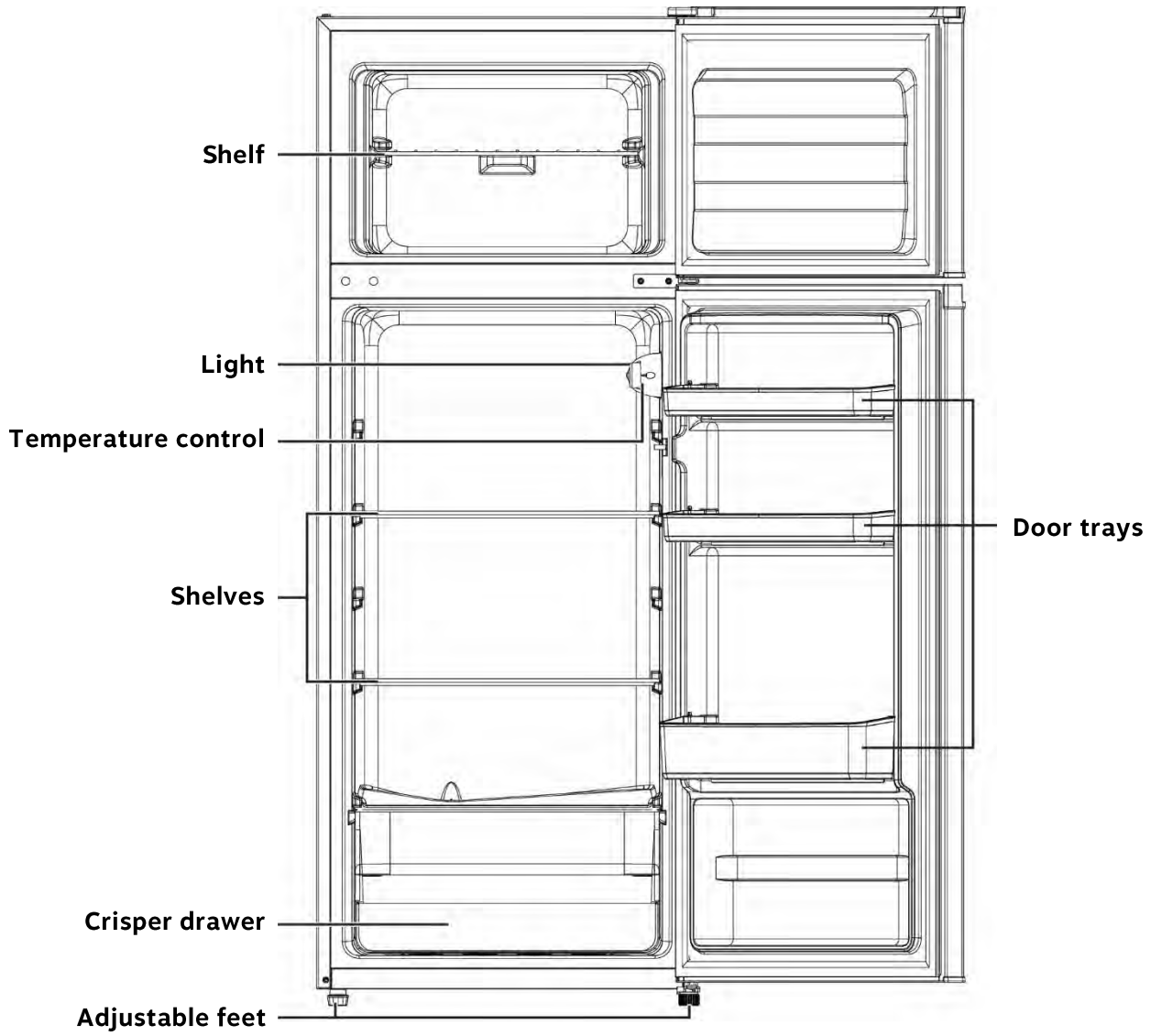
Keep this information and  
your original purchase receipt  
to receive warranty service.

## GETTING TO KNOW YOUR REFRIGERATOR

### WHAT IS INCLUDED?

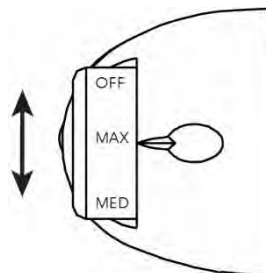
- 7.1 cu. ft. Refrigerator
- Spare parts bag (for door reversal)
- *User Manual*

## INSIDE VIEW



 The images in this user manual are only for reference. The actual product may vary slightly.

## TEMPERATURE CONTROL



## SETTING UP YOUR REFRIGERATOR

Before using your refrigerator for the first time:

1. Remove all packing materials, including bottom cushions, foam pads, and tape from the inside of your refrigerator. Remove the protective film on the doors and refrigerator body.
2. Reverse your refrigerator doors, if needed. See [“Reversing the doors”](#) on page 5.
3. Position your refrigerator correctly. See [“Positioning your refrigerator”](#) on page 7.
4. Adjust the storage accessories to the layout that best organizes your food. See [“Adjusting storage accessories”](#) on page 8.
5. Clean your refrigerator before its first use. See [“Cleaning and care”](#) on page 11. Make sure that the interior is dry before use.
6. Start up your refrigerator. See [“Turning on your refrigerator”](#) on page 8.

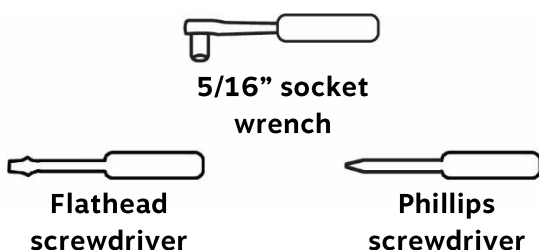
### REVERSING THE DOORS

Your refrigerator arrives with the doors opening from the left side. You can reverse the doors to better accommodate your room’s layout.

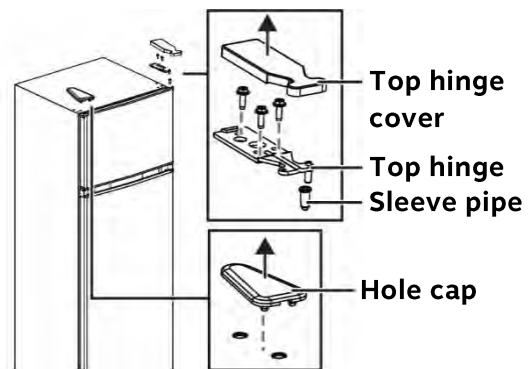
#### **i** Before you start:

- Make sure that the refrigerator is unplugged and empty.
- You’ll need the shaft sleeve from the spare parts bag that came with your refrigerator.
- Make sure that you save all hardware that you remove from your refrigerator so that you can reuse them when reinstalling the doors.
- We recommend having someone help you move your refrigerator and lift the doors.

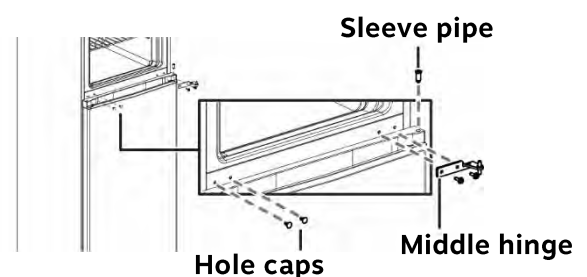
#### TOOLS YOU’LL NEED:



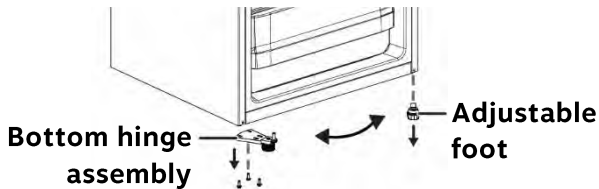
1. Turn off your refrigerator, and remove all items from the door trays.
2. Tilt your refrigerator back so that it leans against something solid, such as a wall. Do not lay the refrigerator flat as this could damage the coolant system.
3. Remove the top hinge assembly:
  - A. Remove the top hinge cover with a flathead screwdriver.
  - B. Remove the three screws securing the top hinge and sleeve pipe with a Phillips screwdriver.
  - C. Remove the hole cap with a flathead screwdriver.



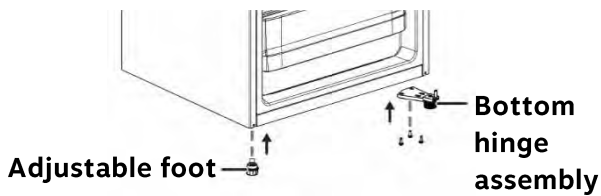
4. Carefully lift off the freezer door.
5. Remove the middle hinge assembly:
  - A. Remove the two screws securing the middle hinge and sleeve pipe with a Phillips screwdriver.
  - B. Remove the two hole caps with a flathead screwdriver.



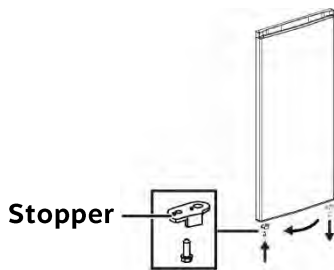
6. Carefully lift off the refrigerator door.
7. Remove the bottom hinge assembly:
  - A. Remove the three screws securing the bottom hinge assembly with a Phillips screwdriver.
  - B. Remove the adjustable foot from the other side.



8. Install the bottom hinge assembly and adjustable foot on the opposite side of the refrigerator.



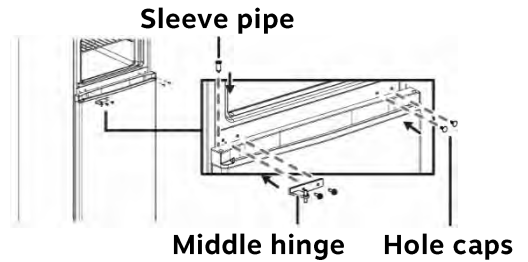
9. Remove the screw securing the stopper on the bottom of the refrigerator door, then reattach it on the other side.



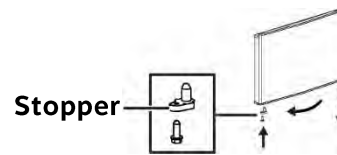
10. Place the refrigerator door on the bottom hinge.

11. Attach the middle hinge assembly:
  - A. Secure the middle hinge and sleeve pipe with two screws using a Phillips screwdriver.

- B. Insert the two hole caps into the other side.

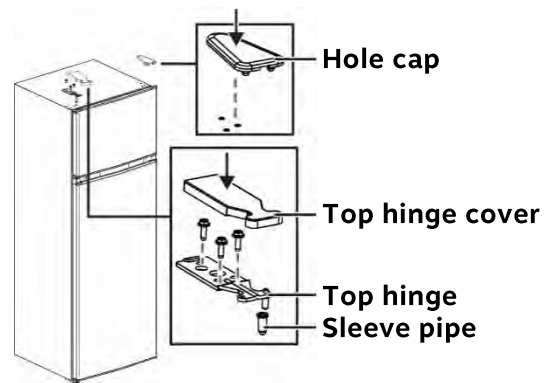


12. Remove the screw securing the stopper on the bottom of the freezer door, then replace it with the shaft sleeve (from the spare parts bag) on the other side.



13. Place the freezer door on the middle hinge.

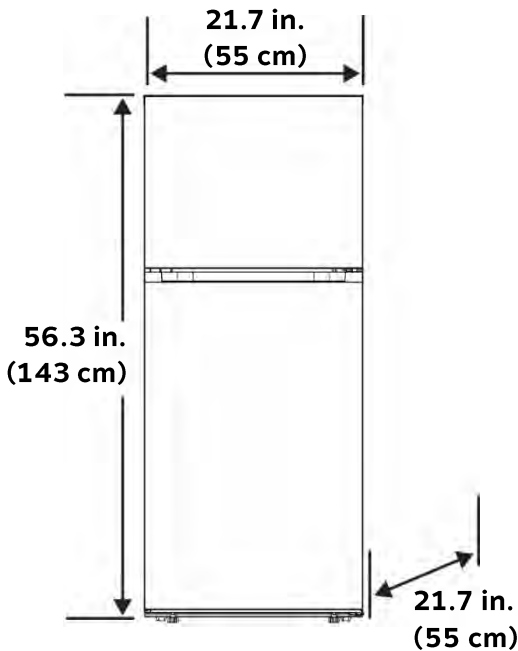
14. Attach the top hinge assembly:
  - A. Secure the top hinge and sleeve pipe with three screws using a Phillips screwdriver.
  - B. Attach the top hinge cover.
  - C. Attach the hole cap to the other side.



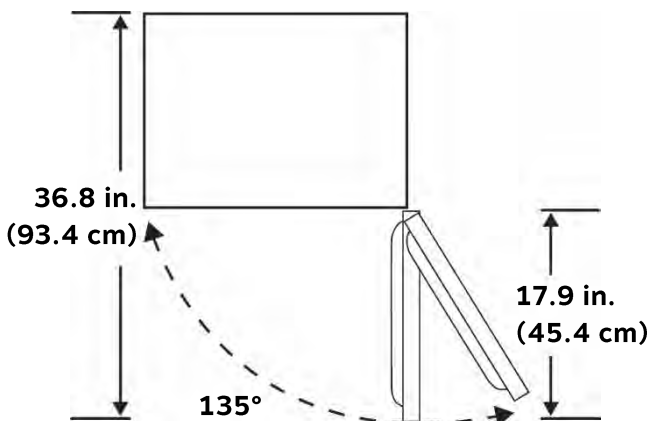
15. Lift your refrigerator into an upright position.

**POSITIONING YOUR REFRIGERATOR**

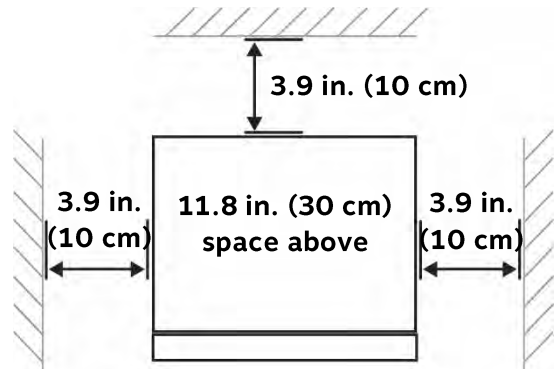
- Place your refrigerator in a location that lets the doors open fully and allows for air circulation.
  - The refrigerator is 56.3 in. (143 cm) high, 21.7 in. (55 cm) wide, and 21.7 in. (55 cm) deep.



- The doors open at a 135° angle and need 17.9 in. (45.4 cm) in front to open fully.

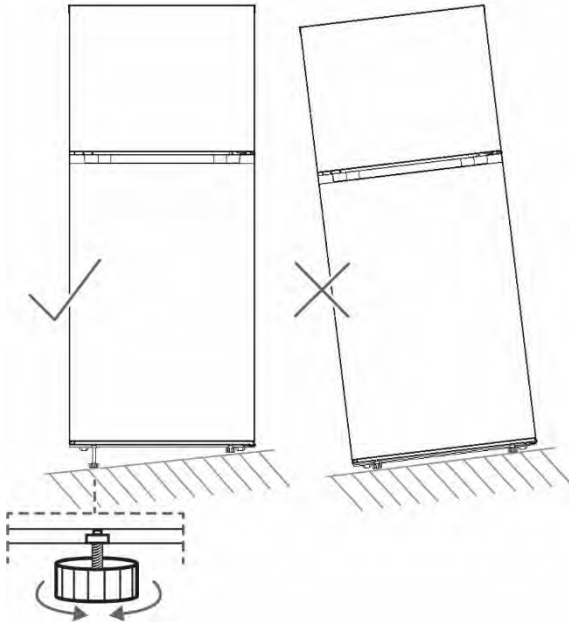


- You must have no less than 3.9 in. (10 cm) of space to the sides, 11.8 in. (30 cm) above, and 3.9 in. (10 cm) behind the refrigerator.



- Keep away from heat and avoid direct sunlight. Cookers, radiators, out-buildings, or direct sunlight can cause the compressor to run for long periods.
- Do not place the freezer in moist or watery places. Do not spray your refrigerator. Do not put your refrigerator in moist places easy to be splashed with water so as not to affect the electrical insulation properties of the refrigerator.

- **⚠ WARNING:** Place your refrigerator on a hard, level surface.
  - To level your refrigerator, turn its front feet to raise (clockwise) or lower (counterclockwise) them.



- If the refrigerator is not level, the door may not close properly.

**⚠ WARNING: Tipping Hazard**

- Refrigerator is top heavy and tips easily when not completely installed.
- Keep doors taped closed until refrigerator is completely installed.
- Use two or more people to move and install refrigerator.
- Failure to do so can result in death or serious injury

- Do not use your refrigerator outside or in a garage.
- Place your refrigerator in a well-ventilated room.

### ADJUSTING STORAGE ACCESSORIES

To adjust a shelf's height, pull it forward until it can be swiveled up or down and removed, then slide it back into the guides.

### TURNING ON YOUR REFRIGERATOR

**⚠ WARNING:**

- To ensure safe use, do not damage the power cord. Do not use the refrigerator if the power cord is damaged or plug is worn.
- To prevent damage to the product or fire accidents, do not put flammable, explosive, volatile, or highly corrosive items in the refrigerator.
- Do not place flammable items near the refrigerator to avoid fires.
- This refrigerator is meant for household use and is only suitable for storing foods. According to national standards, household refrigerators should not be used for other purposes, such as storage of blood, drugs, or biological products.
- Do not place bottled or sealed fluid containers (such as bottled beverages) in the freezer to prevent bursts or other losses.

1. After moving your refrigerator, wait two hours before turning it on. This gives the coolant fluid time to settle.

**⚠ WARNING: Before Turning On**  
Do not turn on until two hours after moving the unit.

2. Plug the refrigerator's power cord into a power outlet.

**⚠ WARNING: Before Plugging In**  
You must check that you have a socket which is compatible with the plug supplied with the unit.

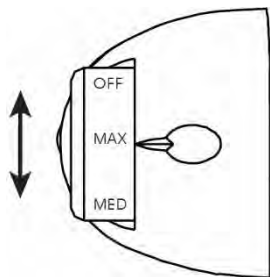
3. Set the temperature to turn on your refrigerator. "MAX" is the coldest temperature and "MIN" is the warmest. See "[Adjusting the temperature](#)" on page 9 for more detailed information.
4. Wait until the correct storage temperature has been reached (about two to four hours) before placing food in the refrigerator or freezer compartments.



## USING YOUR REFRIGERATOR

### ADJUSTING THE TEMPERATURE

Temperatures can vary depending on ambient temperature, frequency of door opening, and how much food is in each compartment. We recommend that you check the temperature with a thermometer to make sure that each compartment is at the desired temperature.



The refrigerator temperature ranges from 32°F to 50°F (0°C to 10°C), and the freezer temperature ranges from -7.6°F to 14°F (-10°C to -22°C). You can change the temperature with the adjustment knob inside the refrigerator compartment.

- Turn the knob toward “**MIN**” for warmer temperatures and toward “**MAX**” for colder temperatures.
- We recommend “**MED**” for normal, daily use.
- Turn the knob to “**OFF**” to turn off your refrigerator.
- If your room’s ambient temperature is high, you may need to set the thermostat to “**MAX**.” This may cause the compressor to continuously run maintain a low temperature.

### STORING FOOD

When storing food in either your refrigerator or freezer compartment:

- Cool hot food to room temperature before storing. This helps prevent the internal temperature from rising, which can result in excess electricity use and frost formation.
- Do not overcrowd food. Instead, leave space between items for air circulation so they can be cooled effectively.

- To prevent cross-contamination, flavor transfer, and moisture loss, food should be separately packed or covered and placed on separate shelves. Fruit and vegetables do not need to be wrapped.
- To prevent cold air from escaping, try to limit the number of times you open the doors. When returning from shopping, sort foods to be kept in your refrigerator or freezer before opening the door. Only open the door to put food in or take it out.
- Do not keep food past the manufacturer’s recommended expiration or best by date.

### REFRIGERATING FOOD

When placing food in your refrigerator:

- Keep raw meats on a plate that is large enough to collect juices and cover it with cling film or foil.
- Store cooked meats on a shelf above raw meats to avoid bacterial transfer.
- To maintain freshness, place fruits and vegetables in the crisper drawers to prevent excessive water evaporation. Fruit and vegetables do not need to be wrapped.

**i** Some fresh fruits and vegetables are sensitive to the cold and are not suitable for storage in the crisper drawers.

### FREEZING FOOD

When placing food in your freezer:

- Make sure that you select the correct storage containers or bags:
  - Do not use glass, thin cling film, or used food containers.
  - Use special freezer bags, freezer film, plastic bags, plastic containers, or aluminum foil to store acidic foods (such as citrus fruits).

- Consider how you want to cook your food before freezing it. Don't freeze food in metal containers if you want to microwave it straight from the freezer.
- Remove as much air from the container or bag as possible. If you're freezing liquids, leave a small amount of air space to allow for expansion.

**i** If you want, you can buy a vacuum pump that sucks extra air out of packaging.

- Chill food in your refrigerator before freezing, if possible.
- Do not place unfrozen food in direct contact with food that is already stored and frozen. Do not add too many unfrozen items at once.
- You can use the space in the freezer most efficiently if you freeze liquids (or solids with liquids, such as stew) in square blocks. Pour the liquid into a plastic bag that is placed inside a square-sided container. Freeze it, then remove the bag from the container and seal the bag.
- Do not store carbonated drinks in the freezer compartment.
- If the internal temperature of frozen food rises during manual defrosting, maintenance, or cleaning, it may shorten the storage life of your food.

## NAVIGATING POWER OUTAGES

If you lose power or the refrigerator stops working:

- Keep the doors closed as much as possible. Even in the summer, foods inside your refrigerator can be kept for several hours.
- Do not place additional food in your refrigerator.
- Place a water-tight container of ice in the freezer to help keep your food cold.

- If a power outage is planned, lower the refrigerator and freezer temperatures as much as possible an hour before the power will go out. Do not store new food during this time.

## SAVING ENERGY

Follow these energy tips to help reduce your refrigerator's energy use:

- Install your refrigerator in the coolest part of the room, out of direct sunlight and away from heating ducts or registers. Do not place your refrigerator next to heat-producing appliances such as a range, oven, or dishwasher.
- Your refrigerator door should remain open only as long as necessary. Organize and label food to reduce door openings. Remove as many items as needed at one time and close the door as soon as possible.
- Do not place hot food inside your refrigerator. Instead, cool food to room temperature before storing.
- Make sure that your refrigerator door is properly closed to avoid increased energy consumption, and the formation of excess ice or condensation inside.
- Constantly circulating cold air keeps the temperature homogenous inside your refrigerator. For this reason, it is important to properly distribute the food and not block air vents to facilitate the flow of air.
- Cover foods and wipe containers dry before placing them in your refrigerator. This cuts down on moisture buildup inside the refrigerator.
- Do not line the shelves with aluminum foil, wax paper, or paper towels. Liners interfere with cold air circulation, making your refrigerator less efficient, which could cause food spoilage.

## MAINTAINING YOUR REFRIGERATOR

### DEFROSTING

This refrigerator does not have an automatic defrost system. Frost will periodically build up inside the refrigerator and freezer compartments. You should remove the frost periodically when it becomes too thick. To remove the frost buildup:

1. Remove all the food in your refrigerator. Store items in coolers with ice or wrap in several layers of newspaper to help the food maintain its temperature.
2. Turn the temperature adjustment knob to “Off,” and prop the doors open.
3. Make sure that the drainpipe is not clogged (use soft materials to prevent damage to the liner). The drainpipe hole is located just above the crisper box cover.
4. Place a water container under the drainpipe and let the frost thaw. Make sure that the water container doesn't overflow and the drainpipe remains clear.

**i** To defrost more quickly, you can:

- Remove ice in pieces with a plastic ice shovel. Do not use metal or sharp objects.
- Pour a small amount of hot water into the compartment, then dry with a towel.

5. Clean the inside of your refrigerator. See [“Cleaning and care”](#) on page [11](#) for more information.
6. Turn your refrigerator back on, then wait until the correct storage temperature has been reached (or 2–4 hours) before placing food in the refrigerator or freezer compartments.

### CLEANING AND CARE

- Before cleaning the interior, turn off the power and remove all foods, drinks, shelves, and drawers.
  - Clean your refrigerator with non-corrosive neutral detergents and a soft cloth or sponge dipped in water. Open the door to air dry before the power is turned on.
  - Clean the freezer with clean water and a dry cloth. Open the door to air dry before the power is turned on.
  - Clean trays, shelves, and drawers with non-corrosive neutral detergents and a soft cloth. Dry them with a soft cloth or let them air dry.
- Wipe the outside cabinet with soapy water or detergent and a soft cloth, then wipe dry.
- Check door seals regularly to make sure that they are clean and free from food particles. Clean with soapy water or diluted detergent and a soft cloth.
- Clean dust and debris behind your refrigerator and on the ground to improve the cooling and energy savings.
- Do not use hard brushes, steel wool, wire brushes, abrasives (such as toothpaste), organic solvents (such as alcohol, acetone, or banana oil), boiling water, acid, or alkaline items to clean refrigerator. These things may damage your refrigerator surface and interior.
- Do not rinse directly with water or other liquids during cleaning to avoid short circuits or damage to electrical insulation.

### REPLACING THE LIGHT

Your refrigerator's LED is designed for a long life and is not user replaceable. Contact a qualified service provider to replace.

## MOVING YOUR REFRIGERATOR

- Before the refrigerator is moved:
  - Take all objects out of your refrigerator.
  - Secure the shelves, drawers, and doors with tape.
  - Tighten the leveling feet.
- While moving, do not lay your refrigerator upside down or horizontally or allow excess vibration. The inclination during movement should be no more than 45°.
- After moving, wait two hours before turning on your refrigerator. This gives the coolant fluid time to settle.

## PREPARING FOR LONG-TERM STORAGE

If your refrigerator is not going to be used for several months, turn it off, unplug it, remove all food, clean/dry it, and leave the doors open (or remove them) to prevent unpleasant smells or mold.



**WARNING:** Supervise small children to make sure that they do not climb inside the refrigerator.

## SERVICING YOUR REFRIGERATOR

Your refrigerator should be serviced by a qualified technician, and only genuine spare parts should be used. Under no circumstances should you attempt to repair the refrigerator yourself. Repairs carried out by inexperienced persons may cause injury or serious malfunction. Contact a qualified technician.

## SAFETY AND PRECAUTIONS



- **THIS** appliance is intended to be used in households and similar applications, such as staff kitchen areas in shops, offices, and other working environments; farm houses and by clients in hotels, motels, and other residential-type environments; bed-and-breakfast-type environments; catering and similar nonretail applications.
- **THIS** appliance is not intended for use by persons (including children) with reduced physical, sensory, or mental capabilities, or lack of experience and knowledge, unless they have been given supervision or instruction concerning use of the appliance by a person responsible for their safety.
- **IF** the supply cord is damaged, it must be replaced by the manufacturer, its service agent, or a similarly qualified person in order to avoid a hazard.
- **DO** not store explosive substances (such as aerosol cans with a flammable propellant) in this appliance.
- **THE** refrigerator must be unplugged after use and before carrying out user maintenance on the refrigerator.
- **WARNING:** Keep ventilation openings in the appliance enclosure or in the built-in structure clear of obstruction.
- **WARNING:** Do not use mechanical devices or other means to accelerate the defrosting process, other than those recommended by the manufacturer.
- **WARNING:** Do not damage the refrigerant circuit.
- **WARNING:** Do not use electrical appliances inside the food storage compartments of the refrigerator, unless they are of the type recommended by the manufacturer.
- **WARNING:** Please dispose of the refrigerator according to local regulators as it uses flammable blowing gas and refrigerant.
- **WARNING:** When positioning the refrigerator, make sure that the supply cord is not trapped or damaged.
- **WARNING:** Do not locate multiple portable socket-outlets or portable power supplies behind of the refrigerator.
- **DO** not use extension cords or ungrounded (two prong) adapters.



### **WARNING:** Risk of Child Entrapment

Before you throw away your old refrigerator or freezer:

- Take off the doors.
- Leave the shelves in place so that children may not easily climb inside.

- **THE** refrigerator must be disconnected from the source of electrical supply before attempting the installation of accessory.
- **REFRIGERANT** and cyclopentane foaming material used for the appliance are flammable. Therefore, when the appliance is scrapped, it must be kept away from any fire source and be recovered by a special recovering company with corresponding qualification other than be disposed by combustion, so as to prevent damage to the environment or any other harm.
- **CHILDREN** should be supervised to ensure that they do not play with the appliance.
- **THIS** refrigerator can be used by children aged from eight years and above and persons with reduce physical sensory or mental capabilities or lack of experience and knowledge if they have been given supervision or instruction concerning use of the appliance in a safe way and understand the hazards involved. Children shall not play with the appliance. Cleaning and user maintenance must not be performed by children without supervision. Children aged from 3 to 8

years are allowed to load and unload refrigerating appliances.

- TO avoid contamination of food, please respect the following instructions:
  - Opening the door for long periods can cause a significant increase of the temperature in the compartments of the appliance.
  - Regularly clean surfaces that can come into contact with food and accessible drainage systems.
  - Store raw meat and fish in suitable containers in the refrigerator so that it is not in contact with or will not drip onto other food.
  - If the refrigerator is left empty for long periods, turn it off, defrost, clean, dry, and leave the door open to prevent mold developing within the appliance.
- **WARNING:** To avoid a hazard due to instability of the refrigerator, it must be fixed in accordance with the instructions. See "[Positioning your refrigerator](#)" on page Z for more information.

## ELECTRICITY WARNINGS

- Do not pull the power cord when unplugging the refrigerator. Firmly grasp the plug and pull it directly out from the socket.
- To ensure safe use, do not damage the power cord or use the power cord when it is damaged or worn.
- Use a dedicated power socket; do not share the power socket with other electrical appliances. The power plug should be firmly contacted with the socket or else fires might be caused.
- Please ensure that the grounding electrode of the power socket is equipped with a reliable grounding line.

- Turn off the valve of the leaking gas and then open the doors and windows in case of leakage of gas and other flammable gases. Do not unplug the refrigerator and other electrical appliances because a spark may cause a fire.
- Do not use electrical appliances on the top of the refrigerator, unless they are recommended by the manufacturer.

## USAGE WARNINGS

- Do not arbitrarily disassemble or reconstruct the refrigerator, or damage the refrigerant circuit; maintenance of the refrigerator must be conducted by a specialist.
- A damaged power cord must be replaced by the manufacturer, its maintenance department, or related professionals to avoid danger.
- The gaps between refrigerator doors and between doors and refrigerator body are small. Do not put your hand in these areas to prevent from squeezing fingers. Be gentle when closing the refrigerator door to avoid falling items.
- Do not pick up foods or containers with wet hands in the freezing chamber when the refrigerator is running, especially metal containers, in order to avoid frostbite.
- To prevent suffocation or a falling injury, do not allow any child to get into or climb the refrigerator.
- Do not place heavy objects on the top of the refrigerator. The objects may fall when closing or opening the door and cause accidental injuries.
- Remove the plug during power failures or cleaning. Do not connect the refrigerator to power for five minutes to prevent damage to the compressor due to successive starts.

## PLACEMENT WARNINGS

- To prevent damage to the product or fire accidents, do not put flammable, explosive, volatile, or highly corrosive items in the refrigerator.
- To avoid fires, do not place flammable items near the refrigerator.
- The refrigerator is intended for household use, such as storage of foods. Do not use the refrigerator for other purposes, such as storage of blood, drugs, or biological products.
- Do not store beer, beverages, or other fluids in bottles or enclosed containers in the freezing chamber of the refrigerator. The bottles or enclosed containers may crack due to freezing and cause damage.

## ENERGY WARNINGS

- Refrigerating appliances might not operate consistently (possibility of defrosting of contents or temperature becoming too warm in the frozen food compartment) when located for an extended period of time below the cold end of the range of temperatures for which the refrigerating appliance is designed.
- Carbonated drinks should not be stored in food freezer compartments or cabinets or in low-temperature compartments or cabinets. Some products such as ice should not be consumed too cold.
- Do not exceed the storage times recommended by food manufacturers for any kind of food, particularly for commercially quick-frozen food in food-freezer and frozen-food storage compartments or cabinets.

- To prevent an unwanted rise in the temperature of frozen foods while defrosting the refrigerator, wrap the frozen food in several layers of newspaper.
- A rise in temperature of frozen food during manual defrosting, maintenance, or cleaning could shorten the food's storage life.

## DISPOSAL WARNINGS

Refrigerant and cyclopentane foaming material used in the refrigerator are flammable. Therefore, when the refrigerator is scrapped, it should be kept away from any fire source and be recovered by a special recovering company with corresponding qualification other than be disposed by combustion, so as to prevent damage to the environment or any other harm.



### WARNING: Risk of Child Entrapment

Before you throw away your old refrigerator or freezer:

- Take off the doors.
- Leave the shelves in place so that children may not easily climb inside.

# SAVE THESE INSTRUCTIONS

THIS APPLIANCE IS FOR HOUSEHOLD USE ONLY

## SPECIFICATIONS

- Dimensions (H x W x D): 56.3 in. x 21.7 x 21.7 in. (143 x 55 x 55 cm)
- Net weight: 77.2 lbs. (35 kg)
- Gross weight: 86.0 lbs. (39 kg)
- Capacity: 7.1 ft.<sup>3</sup> (.2 m<sup>3</sup>)
- Rated voltage: 115 V
- Rated frequency: 60 Hz

## TROUBLESHOOTING

If your refrigerator has problems, check this table before making a service call.

| PROBLEM                         | SOLUTION  |
|---------------------------------|---|
| Not turning on                  | <ul style="list-style-type: none"> <li>• Make sure that the refrigerator is securely connected to a working power outlet.</li> <li>• Check if the power is out or a circuit breaker has tripped.</li> <li>• Make sure that the power outlet uses the correct voltage (115 V).</li> </ul>  |
| Bad odor                        | <ul style="list-style-type: none"> <li>• Make sure that foods are tightly wrapped.</li> <li>• Make sure that there is no rotten food in the refrigerator.</li> <li>• Clean the inside of the refrigerator.</li> </ul>   |
| Compressor runs for a long time | <ul style="list-style-type: none"> <li>• The compressor running for a long time is normal in the summer when the ambient temperature is high.</li> <li>• Make sure that the refrigerator is not overloaded with too much food. Keep items separated to promote better air circulation.</li> <li>• Cool foods to room temperature before placing them inside the refrigerator.</li> <li>• The doors are opened too frequently. Keep the doors closed.</li> </ul> |
| Light is not working            | <ul style="list-style-type: none"> <li>• Make sure that the refrigerator is turned on and running.</li> <li>• If the light is burned out or damaged, have it replaced by a qualified service provider.</li> </ul>   |
| Doors are not properly closing  | <ul style="list-style-type: none"> <li>• Move items that are preventing the door from closing.</li> <li>• Make sure that the refrigerator is on a hard, flat surface and adjust the leveling feet.</li> </ul>   |
| Loud noise                      | <ul style="list-style-type: none"> <li>• Make sure that the floor and refrigerator are level and stable.</li> <li>• Make sure that accessories are placed at in their proper locations.</li> </ul>  |



| PROBLEM                | SOLUTION   |
|------------------------|--|
| Door seal is not tight | <ul style="list-style-type: none"> <li>• Clean the door seals.</li> <li>• Heat the door seal (blow it with a hair dryer or use a hot towel) and then cool it to restore the seal.</li> </ul>   |
| Water pan overflows    | <ul style="list-style-type: none"> <li>• There is too much food in the chamber or food stored contains too much water, causing heavy defrosting. Remove excess food.</li> <li>• The doors are not closed properly, causing increased water from defrosting. Move items blocking the door or check the door seal.</li> </ul>        |
| Hot housing            | <ul style="list-style-type: none"> <li>• It is normal to have heat from the built-in condenser dissipate through the housing. If the housing becomes too hot due to high ambient temperature, storage of too much food, or compressor shutdown, make sure that you have good ventilation to help with heat dissipation.</li> </ul> |
| Surface condensation   | <ul style="list-style-type: none"> <li>• Condensation on the outside of the refrigerator and door seals is normal when the ambient humidity is too high. Just wipe the condensate with a clean towel.</li> </ul>   |
| Abnormal noise         | <ul style="list-style-type: none"> <li>• The compressor may produce buzzes during operation, and the buzzes are loud particularly upon start or stop. This is normal.</li> <li>• Refrigerant flowing inside of the appliance may creak, which is normal.</li> </ul>  |

## ***CUSTOMER SUPPORT***

If you have questions about your refrigerator, our customer support team is ready to help.

- **Online chat:** [www.elementelectronics.com](http://www.elementelectronics.com)
- **Phone:** 1 (833) 250-6588
- **Email:** [appliance@elementelectronics.com](mailto:appliance@elementelectronics.com)

## LEGAL NOTICES

### DISPOSAL

Old units still have some residual value. An environmentally friendly method of disposal will ensure that valuable raw materials can be recovered and used again. The refrigerant used in your unit and insulation materials require special disposal procedures. Ensure that none of the pipes on the back of the unit are damaged prior to disposal. Up to date information concerning options of disposing of your old unit and packaging from the new one can be obtained from your local council office.

When disposing of an old unit, break off any old locks or latches, remove the door, and leave the shelves in place as a safeguard.

## WARRANTY

Model Names/Numbers Subject to Limited Warranty:

7.1 Cu. Ft. Refrigerator  
(EUFM71001AS)

(the "Products" or "Product" when referencing a singular product herein)

This Product (including any accessories included in the original packaging) as supplied and distributed in new condition, is warranted by Element Appliance Company, LLC ("Element") to the original customer who purchases the Product from an authorized Element retailer (the "Original Customer" or "you") against defects in material and workmanship under proper use, maintenance, and care according to the owner's manual, warnings, and instructions accompanying the Product ("Warranty") as follows:

\* PLEASE NOTE – Proof of purchase evidencing the date of purchase by the Original Purchaser from an authorized Element retailer ("Valid Proof of Purchase") is required for all Warranty service. The

### CORRECT DISPOSAL OF THIS PRODUCT

Old appliances still have some residual value. An environmentally friendly method of disposal will ensure that valuable raw materials can be recovered and used again.



This marking indicates that this product should not be disposed with other household wastes throughout the US. To prevent possible harm to the environment or human health from uncontrolled waste disposal, recycle it responsibly to promote the sustainable reuse of material resources. To return your used device, please use the return and collection systems or contact the retailer where the product was purchased. They can take this product for environmentally safe recycling.

For more information, please contact the local authority or your retailer where you purchased the product.

express Warranty set forth herein is subject to all terms and conditions set forth below.

#### 1. WARRANTY SERVICE:

- A. **ONE-YEAR WARRANTY:** Except as provided in subpart 1.B below, for a period of one (1) year from the date of purchase by the Original Customer (the "Warranty Period"), if the parts or components covered by this Warranty are determined by Element or Element's authorized service provider to be defective in material or workmanship, Element will, at its sole and absolute discretion and option: (i) repair the defective part or component at no charge to the Original Customer, (ii) replace the defective Product with a new Product of similar or better quality, at no charge to the Original Customer, or (iii) refund the documented purchase price paid by the Original Customer (excluding tax) to the Original Customer upon return of the defective

Product as directed by Element. After the Warranty Period expires, the Original Customer must pay for all parts, components, shipping and handling, labor, and replacement costs associated with the Product or any part or component thereof, regardless of any defects in the Product or any part or component thereof.

**B. LIMITED EXTENDED WARRANTY THROUGH PRODUCT REGISTRATION:** If and only if the Original Customer registers the Product at <http://www.elementelectronics.com> within **ninety (90) days** of the date of purchase by the Original Customer, then the Warranty Period discussed in subpart 1.A. above shall be extended an additional one (1) year to a new Warranty Period equaling **two (2) years** from the date of purchase by the Original Customer. If the Product is not registered as provided for in this subpart 1.B, then the standard one-year Warranty Period set forth in subpart 1.A shall apply.

**C. TIMING AND PROCEDURE:** Before Warranty service can commence, the Original Customer must contact either (i) the retailer from whom the Original Customer purchased the Product, or (ii) Element directly, in either case for problem determination and service procedures. Valid Proof of Purchase evidencing that the Product is within the Warranty Period **MUST** be presented by Original Customer in order to obtain the requested Warranty service. Please have your model and serial number available, along with your date of purchase of the Product. To remain eligible for Warranty service, Original Customer may not return the Product or any part or component thereof to the retailer or Element without Element's prior written consent.

## 2. EXCLUSIONS AND LIMITATIONS TO WARRANTY SERVICE

The Warranty covers manufacturing defects in materials and workmanship of the Product encountered in the normal, non-commercial use of the Product, and does not cover (a) damages or malfunctions resulting from improper or unreasonable use or maintenance, abuse,

negligence, failure to follow instructions contained in any written materials that accompany the Product, deterioration by reason of excess moisture, corrosive atmosphere, lightning, power surges, connections to improper voltage supply, unauthorized alteration, or other external causes such as extremes in temperature or humidity, modifications, scratches or discoloration; (b) improper or incorrectly performed repairs by service providers not authorized by Element; (c) transportation, shipping, delivery, pickup, insurance, installation, or set-up costs; (d) ordinary wear and tear, cosmetic damage, or damage due to acts of nature, including but not limited to, water, floods, wind, storm, tornado, earthquake, or fire, or due to damage caused by extraordinary impact events, such as dropping, crushing, demolition or other extraordinary damage; (e) commercial use of the Product, or use of the Product for anything other than single-family household or residential use; or (f) modification of the Product or any part of the Product.

This Warranty is made to the Original Customer only and does not cover Products sold AS IS or WITH ALL FAULTS. The Warranty is invalid if the factory-applied serial number has been altered or removed from the Product. This Warranty is valid only in the United States, and only applies to Product if it was purchased and serviced in the United States. The addition of equipment or features to the Product that are not manufactured or recommended by Element could affect the intended function of the Product, and therefore may void the Warranty. Furthermore, the exposure of the Product to chemicals, heat, cold, humidity, or other elements can affect the Product components, and therefore, the Warranty does not cover discoloration, fading, cosmetic changes, rust, or any damages or failure related to any such items. The Warranty is contingent upon the proper use, maintenance, and care of the Product. The Warranty may be void if the Product has been used in a manner contradictory to, or in violation of, the terms of the user's manual, warnings, or instructions accompanying the Product.

THIS WARRANTY IS MADE IN LIEU OF AND SUPERSEDES ALL OTHER WARRANTIES OR CONDITIONS OF MERCHANTABILITY OR FITNESS FOR A PARTICULAR PURPOSE OR GENERAL USE, WHETHER EXPRESS, IMPLIED, COLLATERAL, STATUTORY, OR PROVIDED BY COMMON LAW, THE UNIFORM COMMERCIAL CODE, OR OTHERWISE. ELEMENT FURTHER DISCLAIMS ALL WARRANTIES AFTER THE END OF THE WARRANTY TERM DEFINED ABOVE. NO OTHER EXPRESS WARRANTY OR GUARANTY GIVEN BY ANY OTHER PERSON, FIRM, OR ENTITY WITH RESPECT TO THE PRODUCT SHALL BE BINDING ON ELEMENT. REPAIR, REPLACEMENT, OR REFUND OF THE ORIGINAL PURCHASE PRICE, AT ELEMENT'S SOLE DISCRETION, ARE THE EXCLUSIVE REMEDIES OF THE CUSTOMER.

ELEMENT SHALL NOT BE LIABLE FOR ANY INCIDENTAL OR CONSEQUENTIAL DAMAGES CAUSED BY THE USE, MISUSE, OR INABILITY TO USE THE PRODUCT. THESE INCLUDE, BUT ARE NOT LIMITED TO, ANY DAMAGES IN THE FORM OF LOST PROFITS, LOSS OF USE, LEGAL FEES, ECONOMIC LOSS, PERSONAL INJURIES, OR ANY OTHER DAMAGES CAUSED BY CIRCUMSTANCES BEYOND THE CONTROL OF ELEMENT. NOTWITHSTANDING THE FOREGOING, ELEMENT'S AGGREGATE LIABILITY TO ANY CUSTOMER SHALL NOT EXCEED THE ORIGINAL PURCHASE PRICE OF THE PRODUCT. THIS WARRANTY SHALL NOT EXTEND TO ANYONE OTHER THAN THE ORIGINAL CUSTOMER WHO PURCHASED THE PRODUCT, AND IS NOT TRANSFERRABLE. NO PERSON IS AUTHORIZED TO ALTER, EXTEND, OR WAIVE THIS WARRANTY OR ANY OF ITS TERMS OR CONDITIONS.

Some states do not allow the exclusion or limitation of incidental or consequential damages, or allow limitations on warranties, so the above limitations or exclusions may not apply to you. This Warranty gives you specific rights, and you may have other rights, which vary from state to state. The exclusions and limitations to the Warranty apply to the maximum extent permitted by law and unless restricted or prohibited by law. Where any term

of this Warranty is prohibited by applicable law, it shall be null and void, but the remainder of this Warranty shall remain in effect.

PLEASE DIRECT ALL CORRESPONDENCE TO:

Element Appliance Company, LLC

[appliance@elementelectronics.com](mailto:appliance@elementelectronics.com)

1 (833) 250-6588

<https://elementelectronics.com/appliances>



**CONTACT US:**

Element Appliance Company, LLC. Customer Service

**ONLINE CHAT:** [www.elementelectronics.com](http://www.elementelectronics.com)

**Customer Support:** 1 (833) 250-6588

[appliance@elementelectronics.com](mailto:appliance@elementelectronics.com)

© 2022 Element Appliance Company, LLC. All rights reserved.

Element Appliance Company and E Element are trademarks of Element Brand Holding, LLC

V2 | 21-1061